

# DIAMOND Fiber Optic Components

**E-2000™ HYBRID**  
MATING ADAPTER  
SINGLE MODE /  
MULTIMODE  
SINGLE MODE HRL (APC)

## SPECIFICATIONS

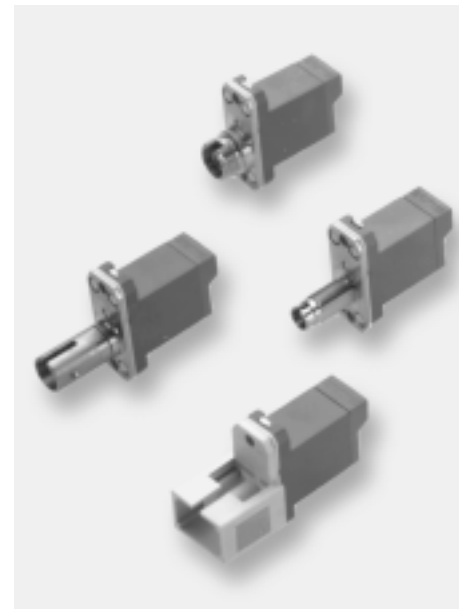
	Single Mode	Multimode	Single Mode 8°HRL	Units	Test conditions
Insertion Loss (IL)	typ 0,2	typ 0,15	typ 0,2	dB	IEC 61300-3-4; l= 1300/1550nm
Return Loss (RL)	min 50	min 40	min 70*	dB	IEC 61300-3-6; l= 1300/1550nm
Repeat ability IL	max ±0,1	max ±0,1	max ±0,1	dB	
Service life					
Operating temperature		-40 / +85		°C	
Storage temperature		-40 / +90		°C	

\* Measured with high precision reflectometer

**NOTE** Optical and mechanical specifications are based on the use of the connector of corresponding standard; the above table reflects typical values.

## DESCRIPTION

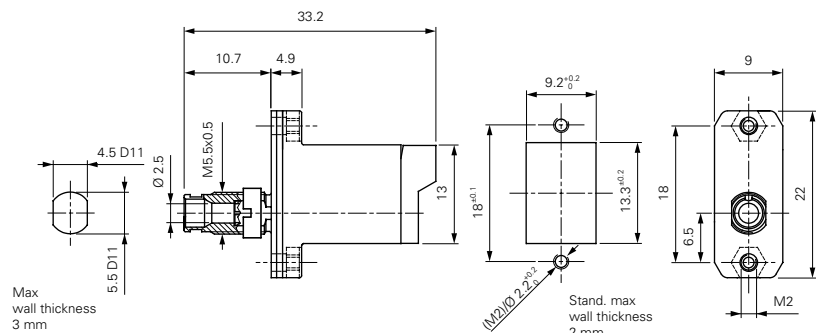
In-line adapter are used to directly mate different connectors. Their optical performance and compact size make is a logical and cost-effective alternative to hybrid patch assemblies.



### HYB-S\*.2 LSA-LSG/LSH

Mating sleeve:  
External parts:

Zirconia  
Plastic/  
Ni-plated Zamak

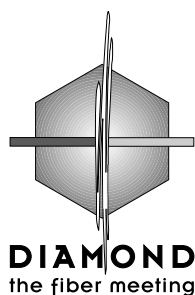
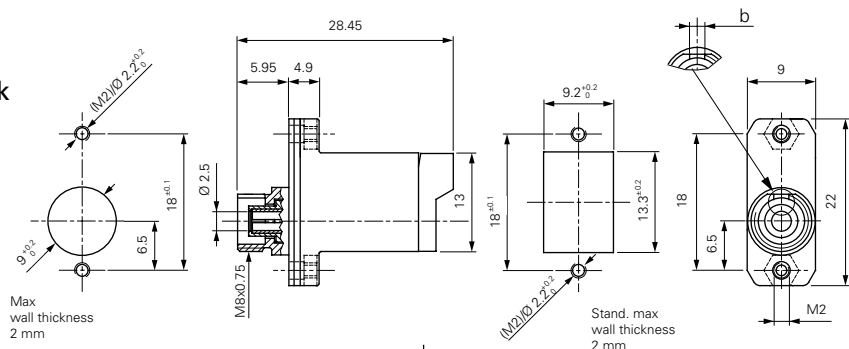


### HYB-S\*.2 LSH/FC-PC

Mating sleeve:  
External parts:

Zirconia  
Plastic/  
Ni-plated Zamak

Dimension b:  
2 or 2.15



DIAMOND SA  
Via dei Patrizi 5  
CH-6616 LOSONE  
Tel. ++41-91/785 45 45  
Fax ++41-91/785 45 00  
e-mail: info@diamond-fo.com

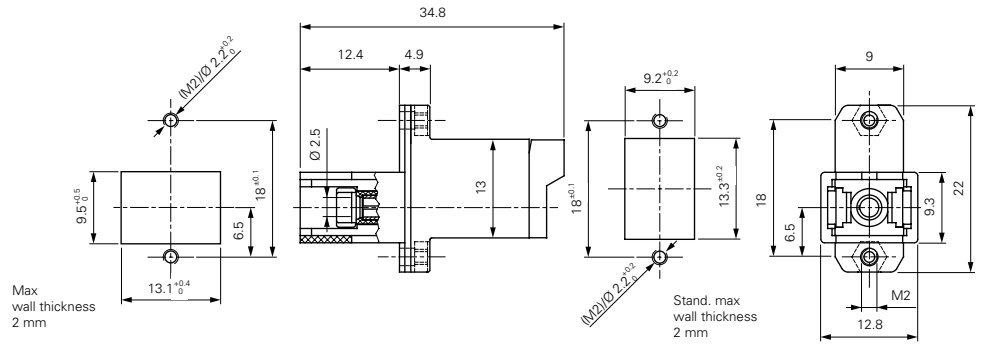
*Specifications subject to change  
without notice*

002-037-208P007030

## HYB-S\*.2 LSH/SC

Mating sleeve:  
External parts:

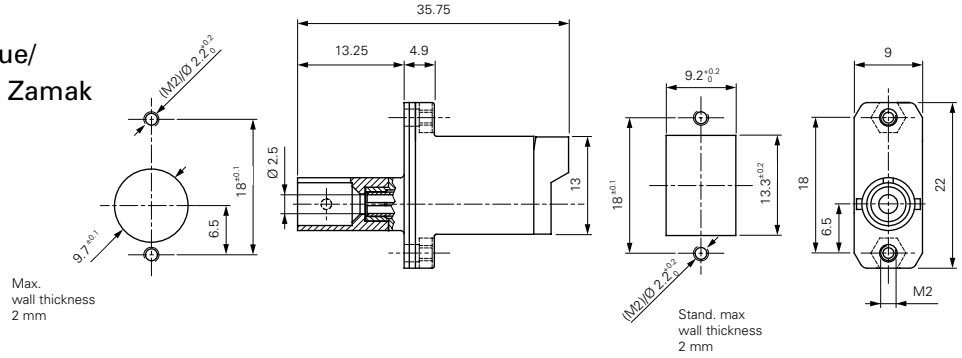
Zirconia  
Plastic



## HYB-S0.2 LSH/ST (only with blue body)

Mating sleeve:  
External parts:

Zirconia  
Plastic blue/  
Ni-plated Zamak



## COLOR CODING

Type designation	Order Number
HYB-S*.2 LSG/LSH	104 - 311 - 901 V
HYB-S*.2 LSH/FC-PC b = 2.15	165 - 311 - 902 V
HYB-S*.2 LSH/FC-PC b = 2	165 - 311 - 907 V
HYB-S*.2 LSH/SC	165 - 311 - 903 V
HYB-S0.2 LSH/ST	165 - 311 - 904 V

Body: blue	blue	green	black	red	orange	yellow	white	violet
Order Number	011	012	013	014	015	016	017	018
Body: green	blue	green	black	red	orange	yellow	white	violet
Order Number	021	022	023	024	025	026	027	028

## MECHANICAL KEYING

HYB-S*.2 LSG/LSH	104 - 311 - 91 V 0 1
HYB-S*.2 LSH/FC-PC b = 2.15	165 - 311 - 91 V 0 1
HYB-S*.2 LSH/FC-PC b = 2	165 - 311 - 92 V 0 1
HYB-S*.2 LSH/SC	165 - 311 - 93 V 0 1
HYB-S0.2 LSH/ST	165 - 311 - 94 V 0 1 1

Body: blue	1
Body: green	2

Mechanical keying No.	1 (red)	2 (brown)	3 (yellow)	4 (orange)	5 (violet)	6 (white)
Order Number	1	2	3	4	5	6

\* Product designation:

Insert 0 for PC application

8 for APC application