

40	9.50	13.00	12.20
36	8.50	12.00	11.20
34	8.00	11.50	10.70
32	7.50	11.00	10.20
30	7.00	10.50	9.70
26	6.00	9.50	8.70
24	5.50	9.00	8.20
20	4.50	8.00	7.20
CKT	A	B	C

mat'l. code		tolerances unless otherwise specified		CUSTOMER COPY		title	
lfr	ecn no	dr	date	linear	projection	scale	product family
A	103-0232	A.C.	6/17/03	.XX ±.20	1st angle	N/A	BTB
B	103-0483	J.C.	10/30/03	.XXX ±.10	MM	A4	BTB
sheet		revision		engr		size	
Index	sheet	1	2	dr	chr	1	2
				ALLEN CHANG	ALLEN CHANG		
				ROGER LIN	ROGER LIN		

FCI
www.fciconnect.com

0.5mm BTB FEMALE CONNECTOR
(H=1.5mm, WITH BOSS)

ACAN

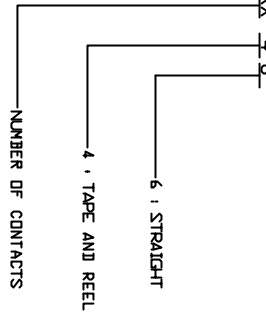
code code
22526



PROD. NO.
SEE NOTES

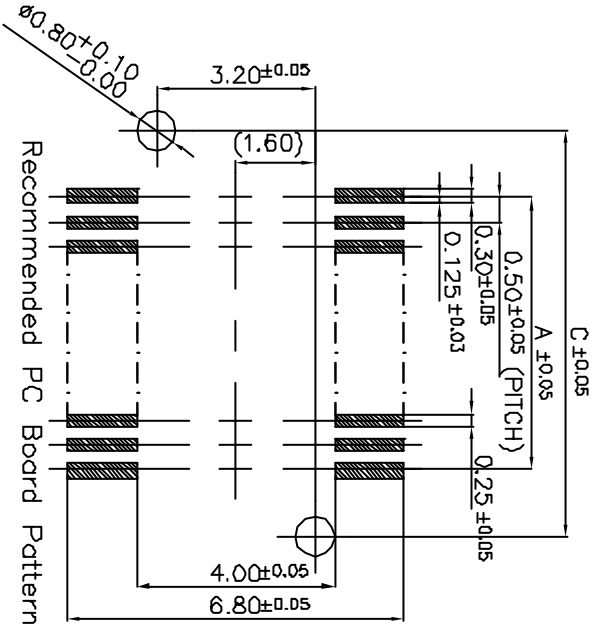
NOTES:

1. THE PRODUCT NUMBERS ARE ASSIGNED AS FOLLOWS:
P/N: 10029673-XX XX 4 5 6



2. MATERIALS
 . INSULATOR: THERMOPLASTIC (< UL94V-0 > COLOR: NATURAL.
 . CONTACT: COPPER ALLOY.
 . PLATING: GOLD ON CONTACT AND SOLDER TAIL AREA WITH NICKEL UNDERPLATING.

3. ELECTRICAL
 . VOLTAGE RATING: 60 VAC (R.M.S.)
 . CURRENT RATING: 0.5 AMP.
 . INSULATION RESISTANCE: 1000 Megohms MIN.
 . DIELECTRIC WITHSTANDING VOLTAGE: 150 VAC (R.M.S.)
 . CONTACT RESISTANCE: 90 milliohms MAX.
4. ENVIRONMENTAL
 . TEMPERATURE RANGE: -40C TO +85C
5. ALL DIMENSION ARE IN MMS.
6. GENERAL TOLERANCE: ± 0.20mm.
7. PRODUCT SPEC: GS-12-261.
 PACKAGE SPEC: GS-14-867.



mat'l. code	tolerance unless otherwise specified	CUSTOMER CQPY	title	sheet
lfr	.X ±.30	projection	0.5mm BTB FEMALE CONNECTOR (H=1.5mm, WITH BOSS)	2 of 2
B	.XX ±.20	MM	product family BTB	
	.XXX ±.10	scale	size DWG no 10029673	
	Ø ±.5	N/A	code	
	dr ALLEN CHANG 5/30/03			
	enfr ALLEN CHANG 5/30/03			
	chr ALLEN CHANG 5/30/03			
	appd ROGER LIN 5/30/03			
sheet	revision			
index	sheet			

ACAN

3

code code
22526

4