



MINIATURE POSITIVE ACTION SWITCHES

Series—8855, 8856

MIL-S-8834 Miniature Positive Action Switches
Lever Lock/Solder Lug Terminals

FEATURES	SPECIFICATIONS	CURRENT RATINGS										
		No. of Poles	Catalog Number	Type of Operation	28 and 50VDC (Amperes per pole)		115VAC 60Hz and 400Hz (Amperes per pole)					
					Resistive Load 28VDC	50VDC	Inductive Load 28VDC	50VDC	Resistive Load 60Hz	400Hz	Inductive Load 60Hz	400Hz
<ul style="list-style-type: none"> Sealed bushing Dry circuit (logic level loads) to power switching levels 1, and 2 pole circuitry Non-teasible mechanism for all but center "ON" circuits High electrical/mechanical reliability Two styles of lever lock actuators Locking actuator for safety Wiping action contacts Positive make and break action Solder lug termination 	<ul style="list-style-type: none"> Bushing seal or bonded seal per MIL-S-8834 MS approved and OPL'd to MIL-S-8834 Temperature range: -67°F to +160°F (-55°C to +71°C) Life: 20,000 operations at rated load 40,000 operations mechanical life Solder lug terminal .050 [1,27] dia. hole <p>★ Momentary contact. → Indicates direction against which lever is locked. See page 77 for special circuit diagrams.</p> <p>① Dielectric per MIL-S-8834 except limited to 1250 volts. Delayed action of the switch toggle lever may cause circuit to close or open before snap action mechanism trips. ② Furnished with Bonded Seal Feature. (Meets with 15' head of water level.) ③ Not military MS approved.</p>	1	8855	Maintained and Momentary	5	1	1	-	2	3	1	2
		2	8856	Maintained and Momentary	5	1	1	-	2	3	1	2

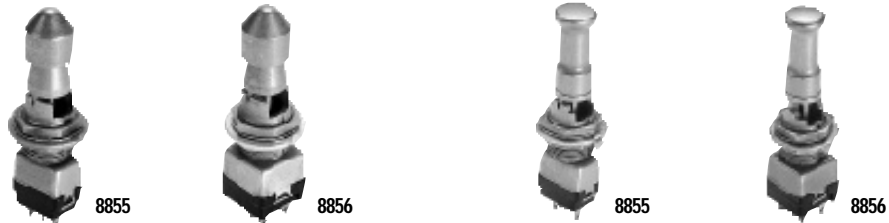
Minimum Rating: 25 μA at 5 millivolts.

TOGGLE SWITCHES

SELECTION TABLE

STANDARD CAP STYLE

MUSHROOM CAP STYLE



CIRCUIT WITH LEVER IN...			Standard Cap Style				Mushroom Cap Style				
Up Position	Center Position	Down Position (Keyway)	Lever Lock ① Bushing Style	MS Part Number	Catalog ② Number	MS Part ③ Number	Catalog ② Number	MS Part Number	Catalog ② Number	MS Part ③ Number	Catalog ② Number
ONE POLE											
BONDED SEAL											
ON →	← OFF →	← ON	A	MS21026-A211	8855K4	Feature Not Available		MS21436-A211	8855K74	Feature Not Available	
ON	← OFF →	ON	B	-B211	K5	In Single Pole Switches		-B211	K75	In Single Pole Switches	
ON	← OFF →	NONE	B	-B241	K19			-B241	K719		
ON	NONE	← OFF →	C	-C221	K13			-C221	K713		
ON	NONE	← ON	C	-C231	K7			-C231	K77		
ON	← OFF →	ON	D	MS21026-D211	8855K10			MS21436-D211	8855K710		
ON →	← OFF →	← ON	E	-E221	K14			-E221	K714		
ON →	← OFF →	← ON	E	-E231	K8			-E231	K78		
* ON	← OFF →	ON *	F	-F271	K15			-F271	K715		
ON	← OFF →	ON *	G	-G311	K16			-G311	K716		
* ON	← OFF →	ON *	H	MS21026-H271	8855K17			MS21436-H271	8855K717		
ON →	← OFF →	NONE	J	-J241	K9			-J241	K79		
NONE	← OFF →	ON *	K	-K281	K18			-K281	K718		
ON	← OFF →	ON *	K	-K311	K20			-K311	K720		
ON	← OFF →	ON *	L	-L311	K12			-L311	K712		
TWO POLE											
BONDED SEAL											
ON →	← OFF →	← ON	A	MS21027-A211	8856K4	MS21027-A711	8856K4X	MS21437-A211	8856K74	MS21437-A711	8856K74X
ON	← OFF →	ON	B	-B211	K5	-B711	K5X	-B211	K75	-B711	K75X
ON	← OFF →	NONE	B	-B241	K19	-B741	K19X	-B241	K719	-B741	K719X
ON	NONE	← OFF →	C	-C221	K13	-C721	K13X	-C221	K713	-C721	K713X
ON	NONE	← ON	C	-C231	K7	-C731	K7X	-C231	K77	-C731	K77X
ON	← OFF →	ON	D	MS21027-D211	8856K10	MS21027-D711	8856K10X	MS21437-D211	8856K710	MS21437-D711	8856K710X
ON →	← OFF →	← ON	E	-E221	K14	-E721	K14X	-E221	K714	-E721	K714X
ON →	← OFF →	← ON	E	-E231	K8	-E731	K8X	-E231	K78	-E731	K78X
* ON	← OFF →	ON *	F	-F371	K27	-F871	K27X	-F371	K727	-F871	K727X
ON	← OFF →	ON *	G	-G311	K16	-G811	K16X	-G311	K716	-G811	K716X
* ON	← OFF →	ON *	H	MS21027-H371	8856K29	MS21027-H871	8856K29X	MS21437-H371	8856K729	MS21437-H871	8856K729X
ON →	← OFF →	NONE	J	-J241	K9	-J741	K9X	-J241	K79	-J741	K79X
NONE	← OFF →	ON *	K	-K381	K28	-K881	K28X	-K381	K728	-K881	K728X
ON	← OFF →	ON *	K	-K311	K20	-K811	K20X	-K311	K720	-K811	K720X
ON	← OFF →	ON *	L	-L311	K12	-L811	K12X	-L311	K712	-L811	K712X
ON →	← ON →	← ON	A	MS21027-A331	8856K21①	MS21027-A831	8856K21X①	MS21437-A331	8856K721①	MS21437-A831	8856K721X①
ON	← ON →	ON	B	-B331	K30①	-B831	K30X①	-B331	K730①	-B831	K730X①
ON	ON	← ON	C	-C331	K31①	-C831	K31X①	-C331	K731①	-C831	K731X①
ON	← ON →	ON	D	-D331	K32①	-D831	K32X①	-D331	K732①	-D831	K732X①
* ON	← ON →	ON *	F	-F341	K22①	-F841	K22X①	-F341	K722①	-F841	K722X①
* ON	← ON →	ON *	H	MS21027-H341	8856K34①	MS21027-H841	8856K34X①	MS21437-H341	8856K734①	MS21437-H841	8856K734X①
NONE	← ON →	ON *	K	-K321	K24①	-K821	K24X①	-K321	K724①	-K821	K724X①
ON	ON →	ON *	G	-G351	K35①	-G851	K35X①	-G351	K735①	-G851	K735X①
ON	← ON →	ON *	K	-K351	K23①	-K851	K23X①	-K351	K723①	-K851	K723X①
ON	← ON →	ON *	L	-L351	K36①	-L851	K36X①	-L351	K736①	-L851	K736X①

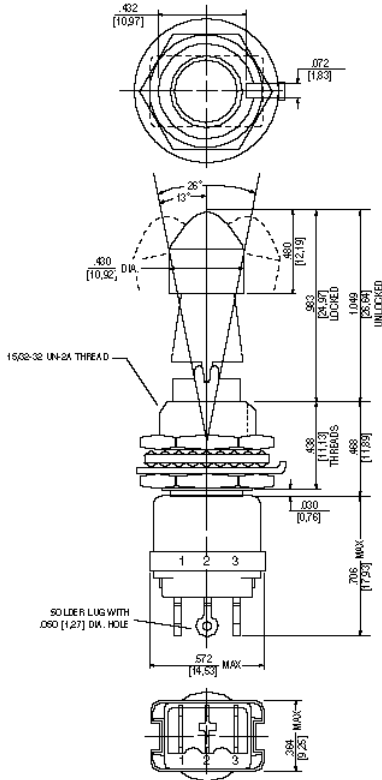
① Reference bushing styles on Page 65.

MINIATURE POSITIVE ACTION SWITCHES

Series—8855, 8856

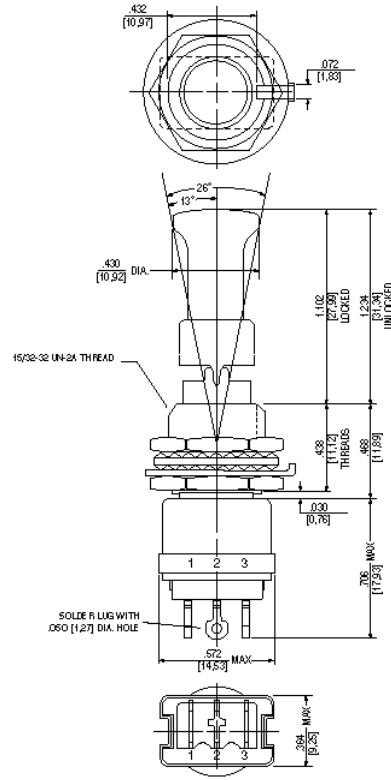
MIL-S-8834 Miniature Positive Action Switches
Lever Lock/Solder Lug Terminals

MOUNTING DIMENSIONS—ONE POLE / 8855



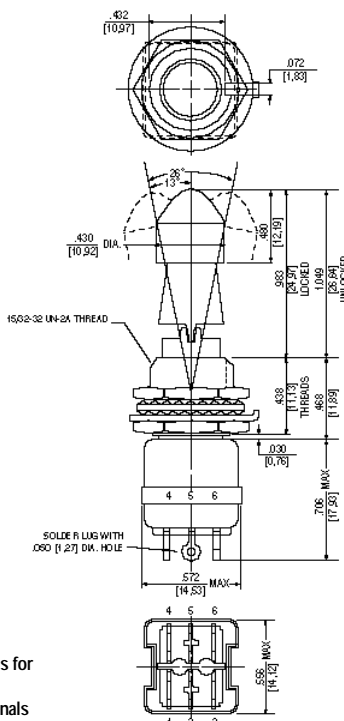
Standard Cap Style

Terminal Identification



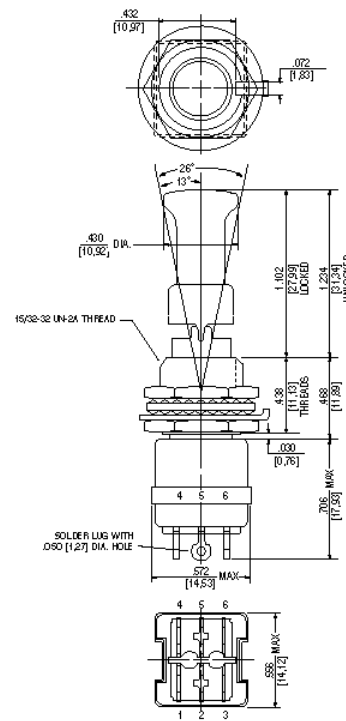
Mushroom Cap Style

MOUNTING DIMENSIONS—TWO POLE / 8856



Standard Cap Style

Terminal Identification



Mushroom Cap Style

STANDARD
0.00 = inches
[0.0] = mm

Mounting dimensions for reference only.
Non-functional terminals not supplied.

MINIATURE POSITIVE ACTION SWITCHES

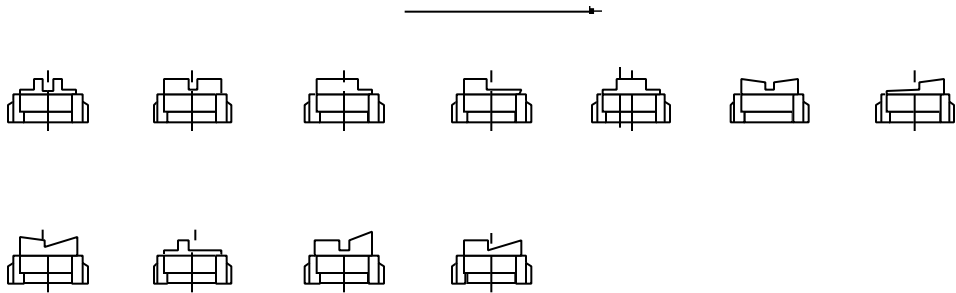
Series—8855, 8856

MIL-S-8834 Miniature Positive Action Switches
Lever Lock/Solder Lug Terminals

OPTIONS/ACCESSORIES

- Special mounting hardware
- Special marking
- Mounting hardware furnished assembled
- Special locking configurations
- Panel seal, Part Number 32-341
- Special circuits
- Special locking cap style
- Custom wire harnesses
- EMI/RFI capability on two pole

LEVER LOCK – BUSHING STYLES



OPTIONS/ACCESSORIES

- Special mounting hardware
- Special marking
- Mounting hardware furnished assembled
- Special locking configurations
- Panel seal, Part Number 32-341
- Special circuits
- Special locking cap style
- Custom wire harnesses
- EMI/RFI capability on two pole
- Gold plated contacts

PANEL CUTOUT DIMENSIONS

