

MALE CONNECTOR FOR PC-BOARD

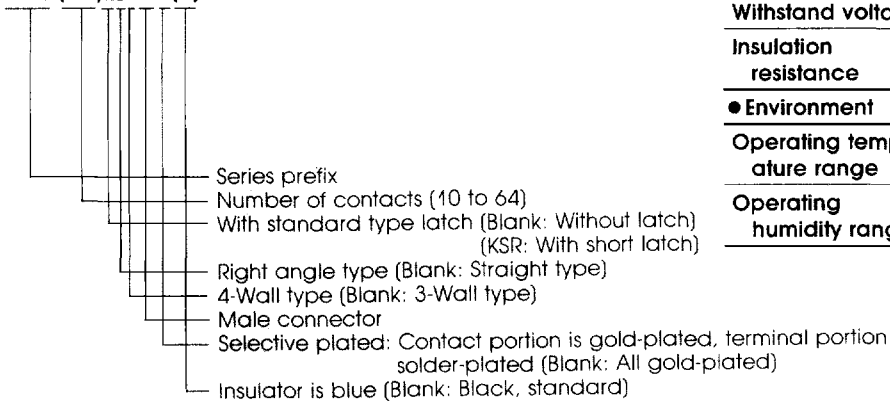
The MFC series male connectors have been developed for the PC-board by solder dipping or wire wrapping and assure high reliability as connectors applicable to 2.54 mm-grid spacing female connectors. A wide variety of connectors are available to meet your application.

Features

- 0.5mm square solder dip terminals facilitate the designing of the PC board. (Through-hole diameter of 0.8mm can be used.)
- Adding a click key makes proper insertion without removing pins.
- Combination of polarizing female connector and 4-Wall male connector prevents misconnection.
- Use of the latch causes automatic locking when the connector is inserted, and opening the latch allows the connector to be extracted.
- The solder plating of terminals ensures higher reliability and eases of soldering. (selective plated pins)
- The insulator is highly resistant to chemicals and can be washed with no problem.

Part No.

MFC- ()RLPMV(A)



Specifications of Male Connector

● Material

| | | |
|-------------|--|--|
| Insulator | Glass-filled PBT resin, UL94V-0 Black (Blue) | |
| Latch | Polyamide resin UL94V-0 Black (Blue) | |
| Short latch | PBT resin UL94V-0 Black (Blue) | |
| Contact | Phosphor bronze | |

● Plating

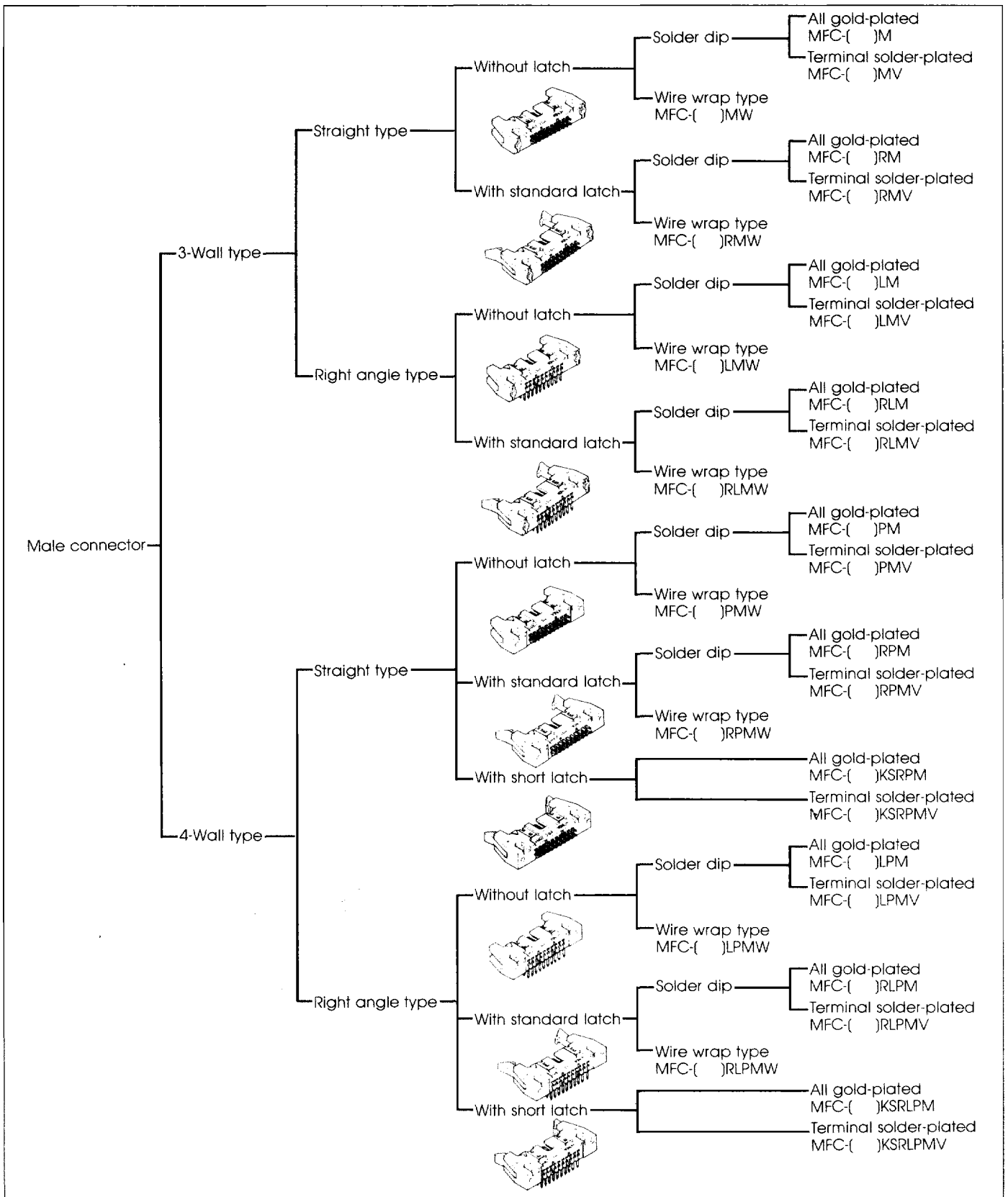
| | | |
|-----------------------|------------------|--------------------|
| Standard type | Gold over nickel | |
| Selective plated type | Contact | gold over nickel |
| | terminal | Solder over nickel |

● Performance

| | | |
|-----------------------|-------------------------------|--|
| Rated voltage | 250 V AC (RMS) | |
| Rated current | 3 A | |
| Withstand voltage | 800 V AC (RMS) for one minute | |
| Insulation resistance | 1000 MΩ or more at 500 V DC | |

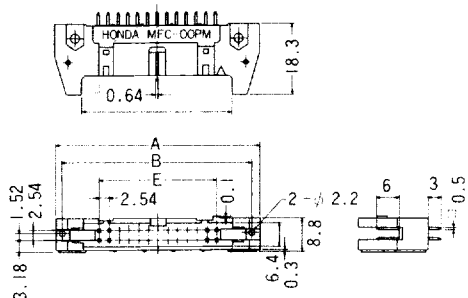
● Environment

| | | |
|-----------------------------|--------------------|--|
| Operating temperature range | -55°C to +105°C | |
| Operating humidity range | R.H. less than 90% | |

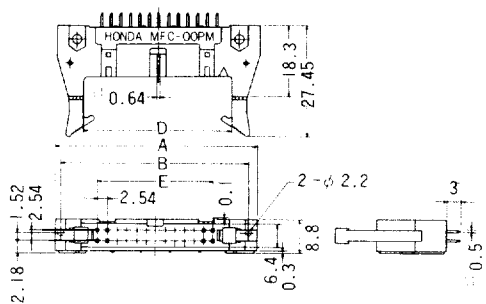


4-WALL MALE CONNECTOR FOR SOLDER DIP

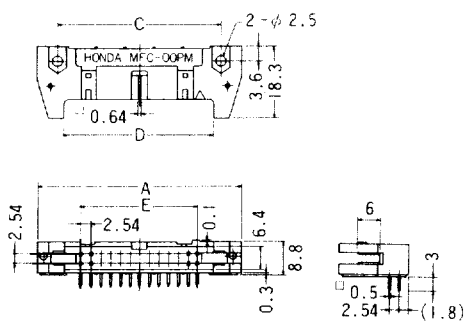
MFC-()PM



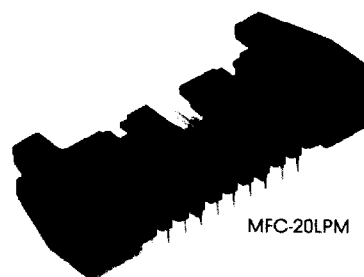
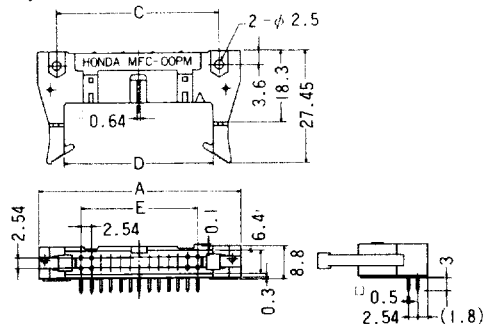
MFC-()RPM



MFC-()LPM



MFC-()RLPM

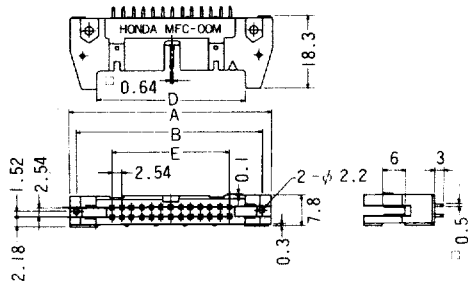


| Part No. | A | B | C | D | E |
|-----------------------------|-------|------|------|------|-------|
| MFC-10 RM, RPM, LPM, RLPM | 32.0 | 28.0 | 21.9 | 18.2 | 10.16 |
| * MFC-14 RM, RPM, LPM, RLPM | 37.1 | 33.0 | 26.9 | 23.3 | 15.24 |
| MFC-16 RM, RPM, LPM, RLPM | 39.6 | 35.5 | 29.4 | 25.8 | 17.78 |
| MFC-20 RM, RPM, LPM, RLPM | 44.7 | 40.6 | 34.5 | 30.9 | 22.86 |
| MFC-26 RM, RPM, LPM, RLPM | 52.3 | 48.3 | 42.2 | 38.5 | 30.48 |
| MFC-30 RM, RPM, LPM, RLPM | 57.4 | 53.3 | 47.2 | 43.6 | 35.56 |
| MFC-34 RM, RPM, LPM, RLPM | 62.5 | 58.4 | 52.3 | 48.7 | 40.64 |
| MFC-40 RM, RPM, LPM, RLPM | 70.1 | 66.0 | 59.9 | 56.3 | 48.26 |
| MFC-50 RM, RPM, LPM, RLPM | 82.8 | 78.7 | 72.6 | 69.0 | 60.96 |
| MFC-60 RM, RPM, LPM, RLPM | 95.5 | 91.4 | 85.3 | 81.7 | 73.66 |
| MFC-64 RM, RPM, LPM, RLPM | 100.6 | 96.5 | 90.4 | 86.8 | 78.74 |

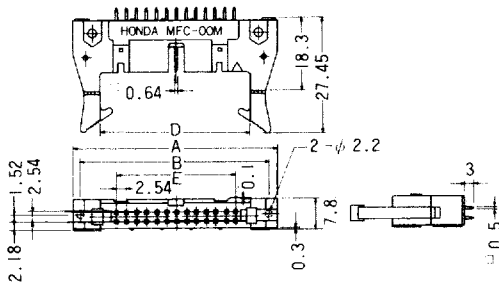
*: planning stage

3-WALL MALE CONNECTOR FOR SOLDER DIP

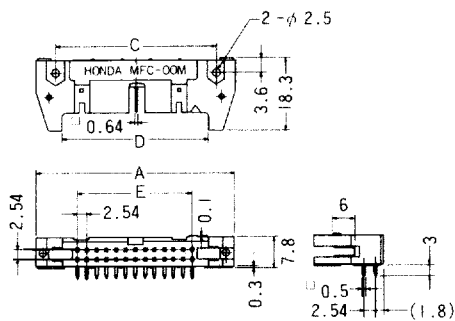
MFC-()M



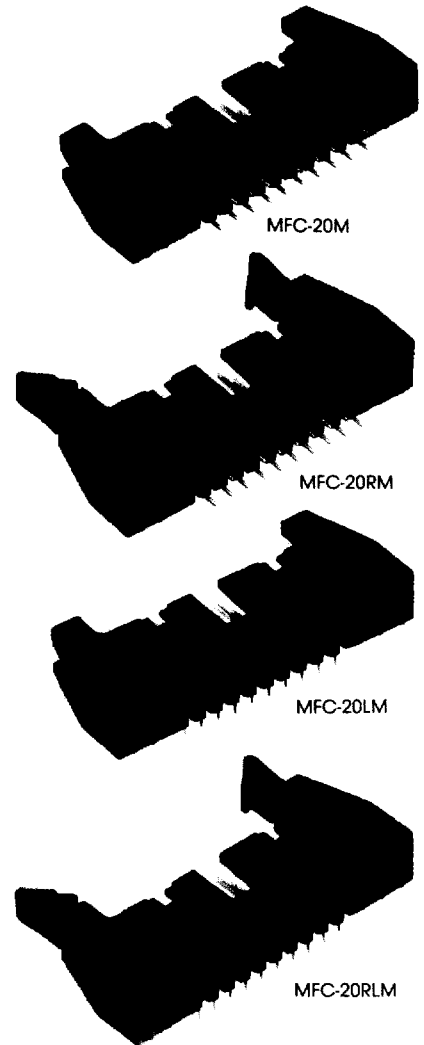
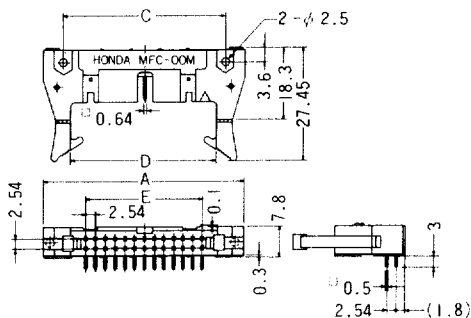
MFC-()RM



MFC-()LM



MFC-()RLM



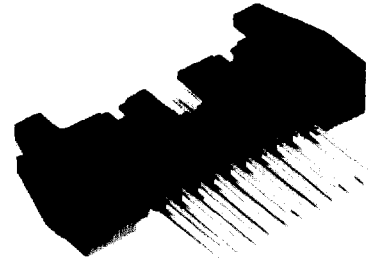
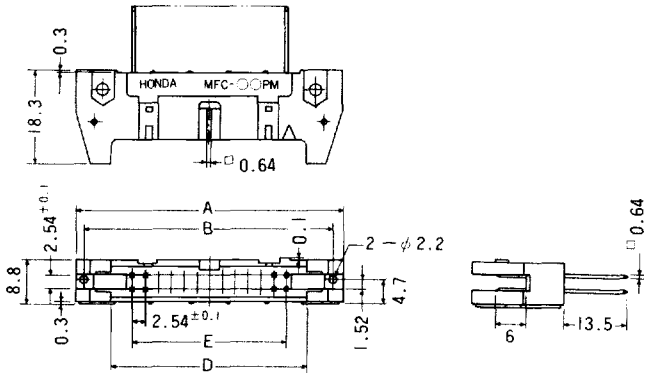
| Part No. | A | B | C | D | E |
|---------------------------|-------|------|------|------|-------|
| * MFC-10 M, LM RM, RLM | 32.0 | 28.0 | 21.9 | 18.2 | 10.16 |
| * MFC-14 M, LM RM, RLM | 37.1 | 33.0 | 26.9 | 23.3 | 15.24 |
| MFC-16 M, LM RM, RLM | 39.6 | 35.5 | 29.4 | 25.8 | 17.78 |
| MFC-20 M, LM RM, RLM | 44.7 | 40.6 | 34.5 | 30.9 | 22.86 |
| MFC-26 M, LM RM, RLM | 52.3 | 48.3 | 42.2 | 38.5 | 30.48 |
| * MFC-30 M, LM RM, RLM | 57.4 | 53.3 | 47.2 | 43.6 | 35.56 |
| MFC-34 M, LM RM, RLM | 62.5 | 58.4 | 52.3 | 48.7 | 40.64 |
| MFC-40 M, LM RM, RLM | 70.1 | 66.0 | 59.9 | 56.3 | 48.26 |
| MFC-50 M, LM RM, RLM | 82.8 | 78.7 | 72.6 | 69.0 | 60.96 |
| MFC-60 M, LM RM, RLM | 95.5 | 91.4 | 85.3 | 81.7 | 73.66 |
| MFC-64 M, LM RM, RLM | 100.6 | 96.5 | 90.4 | 86.8 | 78.74 |

* : planning stage

10-contact connectors have no groove for click key insertion.

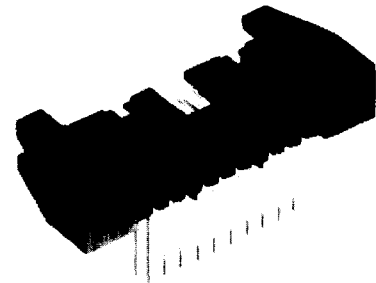
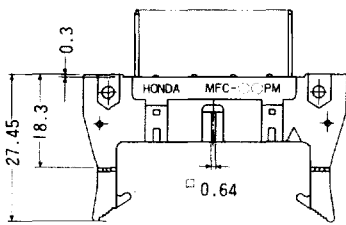
4-WALL MALE CONNECTOR FOR WIRE WRAP

MFC-()PMW



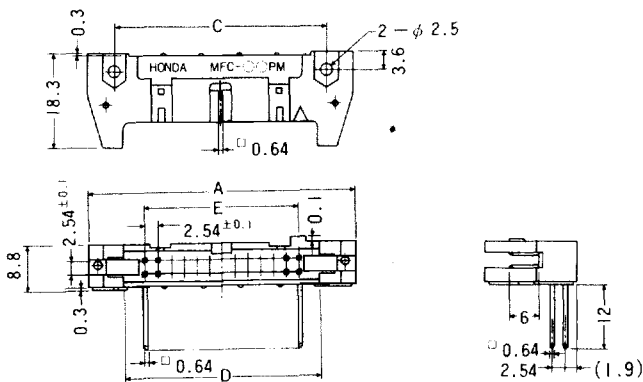
MFC-20PMW

MFC-()RPMW

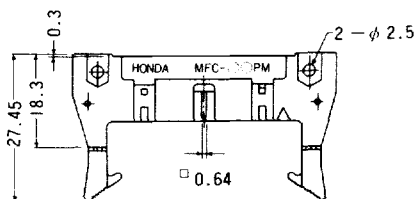


MFC-20LPMW

MFC-()LPMW



MFC-()RLPMW

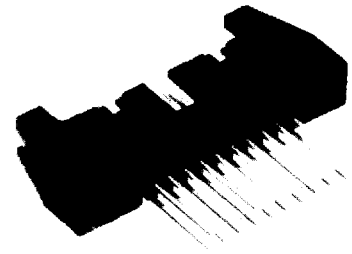
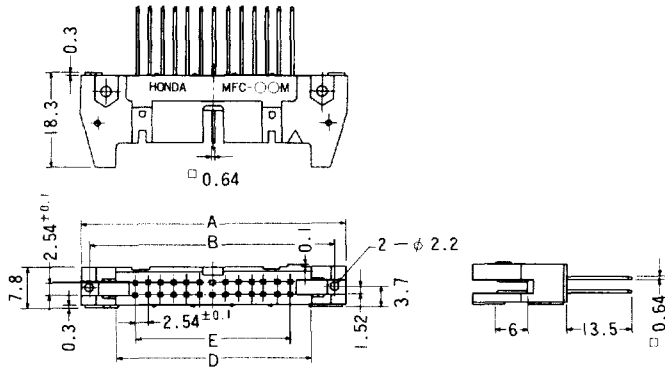


| Part No. | A | B | C | D | E |
|-----------------------------------|-------|------|------|------|-------|
| MFC-10 PMW, LPMW RPMW, RLPMW | 32.0 | 28.0 | 21.9 | 18.2 | 10.16 |
| * MFC-14 PMW, LPMW RPMW, RLPMW | 37.1 | 33.0 | 26.9 | 23.3 | 15.24 |
| MFC-16 PMW, LPMW RPMW, RLPMW | 39.6 | 35.5 | 29.4 | 25.8 | 17.78 |
| MFC-20 PMW, LPMW RPMW, RLPMW | 44.7 | 40.6 | 34.5 | 30.9 | 22.86 |
| MFC-26 PMW, LPMW RPMW, RLPMW | 52.3 | 48.3 | 42.2 | 38.5 | 30.48 |
| MFC-30 PMW, LPMW RPMW, RLPMW | 57.4 | 53.3 | 47.2 | 43.6 | 35.56 |
| MFC-34 PMW, LPMW RPMW, RLPMW | 62.5 | 58.4 | 52.3 | 48.7 | 40.64 |
| MFC-40 PMW, LPMW RPMW, RLPMW | 70.1 | 66.0 | 59.9 | 56.3 | 48.26 |
| MFC-50 PMW, LPMW RPMW, RLPMW | 82.8 | 78.7 | 72.6 | 69.0 | 60.96 |
| MFC-60 PMW, LPMW RPMW, RLPMW | 95.5 | 91.4 | 85.3 | 81.7 | 73.66 |
| MFC-64 PMW, LPMW RPMW, RLPMW | 100.6 | 96.5 | 90.4 | 86.8 | 78.74 |

* : planning stage

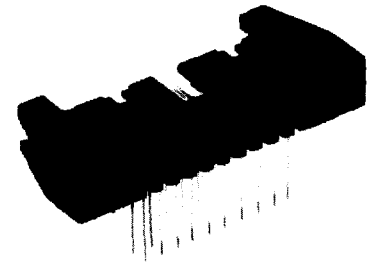
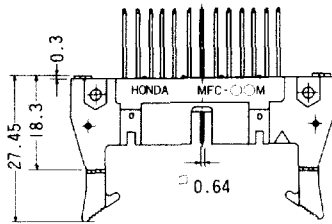
3-WALL MALE CONNECTOR FOR WIRE WRAP

MFC-()MW



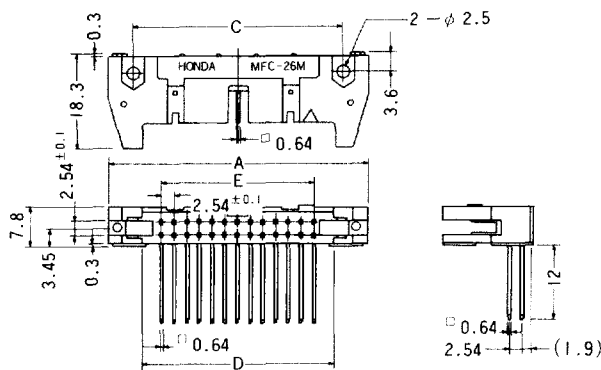
MFC-20MW

MFC-()RMW

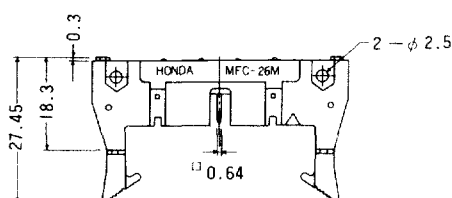


MFC-20LMW

MFC-()LMW



MFC-()RLMW



| Part No. | A | B | C | D | E |
|-------------------------------|-------|------|------|------|-------|
| * MFC-10 MW, LMW RMW, RLMW | 32.0 | 28.0 | 21.9 | 18.2 | 10.16 |
| * MFC-14 MW, LMW RMW, RLMW | 37.1 | 33.0 | 26.9 | 23.3 | 15.24 |
| MFC-16 MW, LMW RMW, RLMW | 39.6 | 35.5 | 29.4 | 25.8 | 17.78 |
| MFC-20 MW, LMW RMW, RLMW | 44.7 | 40.6 | 34.5 | 30.9 | 22.86 |
| MFC-26 MW, LMW RMW, RLMW | 52.3 | 48.3 | 42.2 | 38.5 | 30.48 |
| * MFC-30 MW, LMW RMW, RLMW | 57.4 | 53.3 | 47.2 | 43.6 | 35.56 |
| MFC-34 MW, LMW RMW, RLMW | 62.5 | 58.4 | 52.3 | 48.7 | 40.64 |
| MFC-40 MW, LMW RMW, RLMW | 70.1 | 66.0 | 59.9 | 56.3 | 48.26 |
| MFC-50 MW, LMW RMW, RLMW | 82.8 | 78.7 | 72.6 | 69.0 | 60.96 |
| MFC-60 MW, LMW RMW, RLMW | 95.5 | 91.4 | 85.3 | 81.7 | 73.66 |
| MFC-64 MW, LMW RMW, RLMW | 100.6 | 96.5 | 90.4 | 86.8 | 78.74 |

* : planning stage

10-contact connectors have no groove for click key insertion.