

## Features

- ▣▣▣▣ *Frequencies from 30MHz to 1GHz*
- ▣▣▣▣ *Custom specifications available*
- ▣▣▣▣ *Industry standard package configurations*
- ▣▣▣▣ *Compatible with EPCOS, Fujitsu, Murata etc*

## Standard Models

Model Number	Centre Frequency (MHz)	Band width (MHz)	Ins Loss (dB)	Package	Application
TB0809A	33.9	2	17.3	17.2x8.9	
TB0808A	33.9	5	16	17.2x8.9	
TB0807A	33.9	5	17.5	17.2x8.9	
TB0386A	35.46	8.82	20	13.7x6.5	
TB0601A	36.125	7.9	27	10.8x3.8	
TB0176A	36.125	8	23.7	13.7x4.8	
TB0244A	36.125	7.8	31	16.3x6.3	Cable Modem
TB0257A	36.125	7.8	31	16.3x6.3	Cable Modem
TB0645A	36.125	8	22.8	14.8x5.8	
TB0500A	36.17	7.9	23	13.7x4.8	
TB0797A	36.17	7.2	22.5	13.8x4.9	
TB0796A	38	3	15.9	13.7x4.9	
TB0612A	38.9	1	12.2	17.3x8.5	
TB0275A	38.912	1.6	25	11.4x5.1	
TB0209A	38.912	1.45	20.2	F-11 (5p)	DAB
TB0199A	38.912	1.4	25	9.1x4.8	DAB
TB0318A	40	5	12	7.0x5.0	
TB0207A	43.75	5.93	26	16.3x4.0	Cable Modem
TB0258A	43.75	5.93	26	16.3x4.0	
TB0182A	43.75	6	16.5	13.7x4.8	
TB0362A	44	1.7	17.5	13.7x6.5	
TB0364A	44	6.5	16	13.7x6.5	
TB0473A	44	5	28.5	13.7x4.8	
TB0363A	44	3.4	16	13.7x6.5	
TB0486A	44	5.6	16	13.7x4.8	
TB0496A	44	6	16.7	13.7x4.8	
TB0487A	45.75	3.6	15.8	13.7x4.8	
TB0411A	48	9	16	13.7x6.5	
TB0412A	48	3.125	16	13.7x6.5	
TB0282A	50	10.6	15	13.7x6.5	
TB0281A	50	5.62	11	13.7x6.5	
TB0752A	56	13	15	13.7x6.5	
TB0636A	60	9.6	18.5	13.7x6.5	
TB0634A	60	4.8	14	13.7x6.5	
TB0635A	60	9.6	14	13.7x6.5	
TB0224A	60	5	12	13.7x6.5	
TB0728A	61.38	1.8	10	13.7x6.5	
TB0395A	64.8	9	13	13.7x6.5	
TB0474A	70	35	20	13.7x6.5	
TB0740A	70	9	12	13.7x6.5	
TB0693A	70	0.8	11.5	13.7x6.5	
TB0691A	70	1.3	12	13.7x6.5	
TB0505A	70	0.03	6	13.7x6.5	
TB0278A	70		21.25	19.0x6.5	
TB0230A	70	19.5	26	20.2x12.6	70MHz Series

## Standard Models (continued)

Model Number	Centre Frequency (MHz)	Band width (MHz)	Ins Loss (dB)	Package	Application
TB0213A	70	9	11.5	13.7x6.5	70MHz Series
TB0228A	70	1.4	22	19.0x6.5	70MHz Series
TB0202A	70	19.7	13.8	13.7x6.5	70MHz Series
TB0184A	70	3.8	23	13.7x6.5	70MHz Series
TB0214A	70	16	13.2	13.7x6.5	70MHz Series
TB0186A	70	21.5	17.5	13.7x6.5	70MHz Series
TB0225A	70	9.2	24	13.7x6.5	70MHz Series
TB0460A	70	11.77	13	13.7x6.5	
TB0212A	70	6	9	13.7x6.5	70MHz Series
TB0185A	70	7	23	13.7x6.5	70MHz Series
TB0195A	70	3.0	8.2	13.7x6.5	70MHz Series
TB0211A	70	4	9.5	13.7x6.5	70MHz Series
TB0194A	70	5.0	9.0	13.7x6.5	70MHz Series
TB0229A	70	12.1	26	20.2x12.6	70MHz Series
TB0193A	70	7.0	9.5	13.7x6.5	70MHz Series
TB0227A	70	1.1	20	19.0x6.5	70MHz Series
TB0466A	72.96	6	14	13.7x6.5	
TB0259A	73.125	0.015	8	13.7x6.5	
TB0444A	78	0.015	8	13.7x6.5	
TB0753A	79	13	15	13.7x6.5	
TB0292A	80	9	11.5	13.7x6.5	
TB0646A	81	54	25	13.7x6.5	
TB0586A	83.16	30	5	11.4x5.1	
TB0497A	86.6	0.34	6.5	19.0x6.5	
TB0479A	96	1.6	15	13.7x6.5	
TB0754A	104	20	15	13.7x6.5	
TB0770A	109	5.8	12.5	13.7x6.5	
TB0768A	109	0.035	6	9.1x7.1	
TB0791A	109.8	0.2	9.5	11.4x5.1	
TB0654A	110	1.98	18	24.7x9.0	
TB0681A	110	0.2	12	9.1x7.1	
TB0603A	110.592	1.152	10	7.0x5.0	
TB0197A	110.592	1.0	12	9.1x7.1	DECT
TB112EE	112.32	1.1	12.5	9.1x7.1	DECT
TB0777A	119.64	0.055	5.5	7.0x5.0	
TB0196A	119.64	0.03	5.5	7.0x5.0	Cellular Phone
TB0763A	120	15	20	13.7x6.5	
TB0467A	125	30	13.5	13.7x6.5	
TB0682A	130.06	0.16	8.5	7.0x5.0	
TB0571A	135.42	2.1	12	7.0x5.0	
TB0557A	135.53	26	5.3	7.0x5.0	
TB0614A	138	70.9	24	7.0x5.0	
TB0713A	138.24	76	25	7.0x5.0	
TB0695A	138.24	76	24	7.0x5.0	
TB0440A	140	22	11	13.7x6.5	
TB0746A	140	32	13	13.7x6.5	

Continued on next page...

## Ordering Information

Product name + model number  
eg: **GSIF TB0376A**

- ◆ Pad configurations and package heights may vary from those shown - please ask for a full specification sheet before ordering
- ◆ Full specifications of all models are available on request

## Standard Models (continued)

Model Number	Centre Frequency (MHz)	Band width (MHz)	Ins Loss (dB)	Package	Application
TB0439A	140	15	10.75	13.7x6.5	
TB0438A	140	12	10.5	13.7x6.5	
TB0541A	140	6.85	7.5	13.7x6.5	
TB0232A	140	12	25	20.2x12.6	140MHz Series
TB0217A	140	0.1	6.0	7.0x5.0	140MHz Series
TB0559A	140	20	10.5	13.7x6.5	
TB0320A	140	6	12.5	13.7x6.5	
TB0233A	140	25	24	20.2x12.6	140MHz Series
TB0218A	140	0.4	8	19.0x6.5	
TB0203A	140	10	11.5	13.7x6.5	140MHz Series
TB0403A	145	4	16	13.7x6.5	
TB0790A	145	0.05	3.5	13.7x6.5	
TB0772A	153.6	20	13	7.0x5.0	
TB0415A	154.1	10	18	9.1x7.1	
TB0399A	156.8	15	14	13.3x6.5	
TB0647A	159	90	23	7.0x5.0	
TB0276A	163	0.025	6	7.0x5.0	
TB0482A	164.175	0.075	7	7.0x5.0	
TB0547A	164.175	0.0075	7	F-11	
TB0483A	165.45	0.075	7	7.0x5.0	
TB0548A	165.45	0.0075	7	F-11	
TB0755A	167.5	20	15	13.7x6.5	
TB0727A	168	20	13.5	13.7x6.5	
TB0260A	168.5	20	10	5.2x5.2	
TB0549A	169.2	0.0075	7	F-11	
TB0484A	169.2	0.075	7	7.0x5.0	
TB0485A	173.075	0.015	7	7.0x5.0	
TB0550A	173.075	0.015	7	F-11	
TB0223A	173.225	0.026	4.2	9.1x7.1	
TB0187A	183.6	1.5	10.5	7.0x5.0	
TB0572A	185.5	20	11	13.7x6.5	
TB0103A	190	5.73	10	5.2x5.2	Cellular Phone
TB0529A	190	4.6	7	3.1x3.1	
TB0190A	190	6	7	3.9x3.9	Cellular Phone
TB0293A	190	10	10	5.2x5.2	
TB0416A	193.7	10	18	9.1x7.1	
TB0410A	200	7.6	18.4	7.0x5.0	
TB0592A	201.02	0.358	6	13.7x6.5	
TB0124A	210.38	1.0	10	5.2x5.2	Cellular Phone
TB0241A	210.38	1.26	9	13.7x6.5	Cellular Phone
TB0104A	210.38	1.26	11	7.0x5.0	
TB0573A	228.1	27	11	7.0x5.0	
TB0309A	240	1	10	13.7x6.5	
TB0391A	240	6.8	14	7.0x5.0	
TB0429A	240	20	13	7.0x5.0	
TB0376A	240	10.5	14	7.0x5.0	
TB0341A	240	6.8	14	7.0x5.0	
TB0270A	240	20	8.5	7.0x5.0	
TB0208A	243	0.05	6.0	7.0x5.0	
TB0252A	243.95	0.26	4	3.1x3.1	
TB0253A	243.95	0.26	4.0	3.5x3.5	PHS
TB0266A	246	0.1	6.5	7.0x5.0	Cellular Phone
TB0251A	248.45	0.56	4.5	3.5x3.5	PHS
TB0649A	255	90	16	5.2x5.2	
TB0758A	256	34	13	7.0x5.08	

## Standard Models (continued)

Model Number	Centre Frequency (MHz)	Band width (MHz)	Ins Loss (dB)	Package	Application
TB0788A	256.36	20	16	7.0x5.0	
TB0475A	257.5	35	24	13.7x6.5	
TB0358A	260	30	10	7.0x5.0	
TB0204A	261.12	5	12	13.7x6.5	
TB0377A	268.4	21	14	5.2x5.2	
TB0786A	279.88	7	15	7.0x5.0	
TB0703A	280	15	11	5.2x5.2	
TB280ID	280	18.50	10	5.2x5.2	WLAN
TB0137A	280	18.50	10	5.2x5.2	WLAN
TB0613A	283.5	0.05	6.5	7.0x5.0	
TB0588A	288	10	15	5.2x5.2	
TB0589A	288	20	15	5.2x5.2	
TB0587A	288	5	17	5.2x5.2	
TB0677A	300	0.2	6.5	5.2x5.2	
TB0296A	300	4.5	10	3.1x3.1	
TB0633A	300	0.1	7	7.0x5.0	
TB0789A	307.36	20	16	7.0x5.0	
TB0468A	310	10	14	5.2x5.2	
TB0560A	325	9	14	7.0x5.0	
TB0457A	325	6.9	20	7.0x5.0	
TB0398A	325	13	14	7.0x5.0	
TB0191A	326.4	12	17	7.0x5.0	
TB0626A	329.5	15	17	7.0x5.0	
TB0787A	333.04	7	15	7.0x5.0	
TB0621A	343.5	4.6	14	7.0x5.0	
TB0671A	345	5	12.5	7.0x5.0	
TB0706A	350	31	18	5.2x5.2	
TB0297A	350	2.4	10	3.1x3.1	
TB0674A	350	14	12	7.0x5.0	
TB0610A	350	71	13	5.2x5.2	
TB0672A	350	5	12.5	7.0x5.0	
TB0200A	350	2.6	14.5	13.7x6.5	WLL
TB0648A	351	90	16.5	5.2x5.2	
TB0591A	351.1	12	14	5.2x5.2	
TB0673A	355	5	12.5	7.0x5.0	
TB0656A	359.2	24	13	7.0x5.0	
TB0655A	360	24	13	7.0x5.0	
TB0130A	360	0.24	5.0	5.2x5.2	Cellular Phone
TB360EC	360	135	5.0	3.9x3.9	Cellular Phone
TB0489A	366.5	23	13.5	5.2x5.2	
TB0525A	369	10.5	12	5.0x5.0	
TB0530A	374	10.5	12.5	5.0x5.0	
TB0501A	374	10.5	11.5	5.0x5.0	
TB0221A	374	19.1	10	3.9x3.9	WLAN
TB0210A	374	23.4	10	3.9x3.9	
TB0316A	374	5	12	3.9x3.9	

Continued on next page...

## Ordering Information

Product name + model number  
eg: **GSIF TB374GD**

- ◆ Pad configurations and package heights may vary from those shown - please ask for a full specification sheet before ordering
- ◆ Full specifications of all models are available on request

## Standard Models (continued)

Model Number	Centre Frequency (MHz)	Band width (MHz)	Ins Loss (dB)	Package	Application
TB0151A	374	14	9	7.0x5.0	WLAN
TB0135A	374	17	10	5.2x5.2	WLAN
TB374GD	374	20	10	5.2x5.2	WLAN
TB374EA	374	20	10	7.0x5.0	WLAN
TB0152A	374	17	10	3.9x3.9	WLAN
TB0378A	376.6	75	16	5.2x5.2	
TB0445A	380	5	13	7.0x5.0	
TB0198A	380	5	16	7.0x5.0	Cellular Phone
TB0122A	380	4.8	11	3.9x3.9	Cellular Phone
TB0564A	400	400	7.5	3.1x3.1	
TB0464A	400	0.015	7.5	3.9x3.9	
TB0299A	400	4.5	10	3.1x3.1	
TB0448A	400	0.015	7.5	5.2x5.2	
TB0237A	402.7	21.5	19	5.2x5.2	
TB0261A	403.5	3	5.5	3.9x3.9	
TB0801A	420	19.6	13	5.2x5.2	
TB0784A	425	0.5	9.5	7.0x5.0	
TB0141A	426.5	0.24	5.5	5.2x5.2	Remote Control
TB0657A	427.5	15	13	5.2x5.2	
TB433E2	433.92	0.5	5.0	TO-39	Remote Control
TB433ED	433.92	0.5	5.0	5.2x5.2	Remote Control
TB0490A	435.5	27	13.5	5.2x5.2	
TB0658A	442.5	15	13	5.2x5.2	
TB0650A	447	90	17	5.2x5.2	
TB0205A	453	5.5	7	3.9x3.9	WLL
TB0427A	456	11.22	9	5.2x5.2	
TB0462A	456	5	13	5.2x5.2	
TB0463A	456	9	9	7.0x5.0	
TB0471A	456	6.2	15.5	7.0x5.0	
TB0574A	456	6.4	13.5	7.0x5.0	
TB0492A	456	10.4	11	7.0x5.0	
TB0459A	464	5.52	18	7.0x5.0	
TB0472A	464	3.4	13	7.0x5.0	
TB0575A	464	3.4	13.5	7.0x5.0	
TB0360A	464	3.5	13	7.0x5.0	
TB0206A	465	20	14	5.2x5.2	Remote Control
TB0576A	472.2	27	13.5	7.0x5.0	
TB0160A	473.4	28	13	7.0x5.0	WLL
TB480G3	479.5	16	24	TO-39	Satellite TV
TB0153A	479.5	16	24	TO-39	Satellite TV
TB480F3	479.5	17	23	TO-39	Satellite TV
TB0561A	480	9	14	7.0x5.0	
TB0714A	480	15	17	5.2x5.2	
TB0729A	480	54	15	5.2x5.2	
TB0606A	480	40	18	5.2x5.2	
TB0590A	480	36	19.5	5.2x5.2	
TB0400A	480	12.1	22	7.0x5.0	
TB0222A	480	3.9	10.3	TO-39	Satellite TV
TB480E3	480	27.0	23.0	TO-39	Satellite TV
TB0716A	490	15	13	TO-39	
TB0715A	490	15	15	5.2x5.2	
TB0420A	494	77	13	5.2x5.2	
TB0707A	495	30	18	5.2x5.2	
TB0577A	512.2	27	13.5	7.0x5.0	
TB0651A	525	54	16.5	5.2x5.2	

## Standard Models (continued)

Model Number	Centre Frequency (MHz)	Band width (MHz)	Ins Loss (dB)	Package	Application
TB0264A	533.33	4.5	9	3.9x3.9	
TB0749A	545	30	14	5.2x5.2	
TB0759A	575	30	14	5.2x5.2	
TB0288A	590	0.39	12	13.7x6.5	
TB0353A	600	4.5	10	3.1x3.1	
TB0300A	644.5	4.5	10	3.1x3.1	
TB0354A	666.667	4.5	10	3.1x3.1	
TB0804A	829.5	14.6	26	13.7x6.5	
TB0805A	874	15.6	26.5	13.7x6.5	
TB0661A	950	150	17	3.9x3.9	
TB0692A	950	7.7	23.7	14.8x5.8	

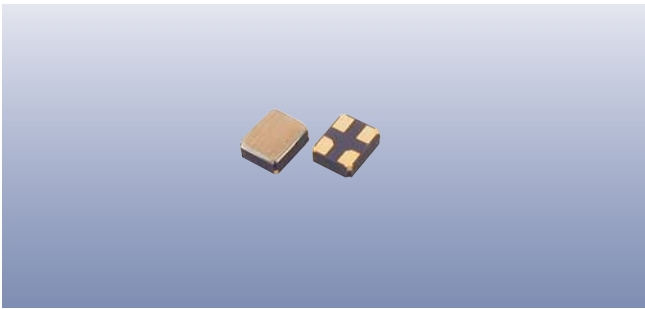
## Ordering Information

Product name + model number

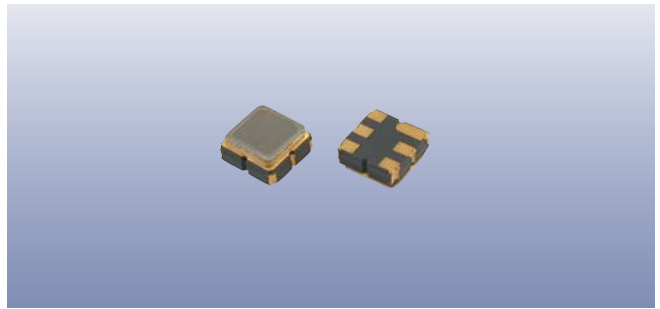
eg: **GSIF TB0657A**

- ◆ Pad configurations and package heights may vary from those shown - please ask for a full specification sheet before ordering
- ◆ Full specifications of all models are available on request

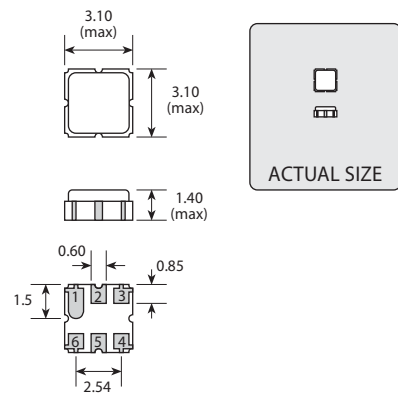
## 2.5 x 2.0



## 3.1 x 3.1



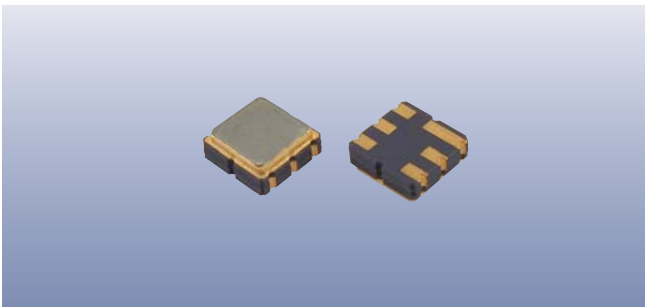
*DRAWING UNDER DEVELOPMENT*



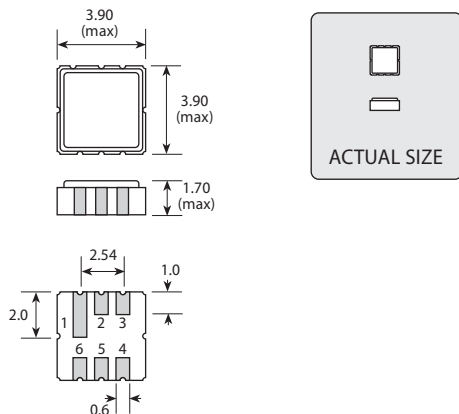
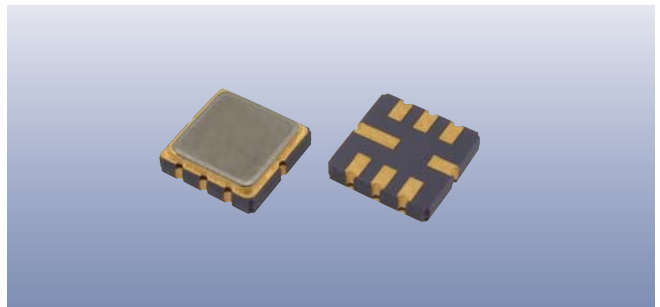
Scale 3:1

Pad connections may vary by model. Check the full specification sheet before ordering

## 3.9 x 3.9

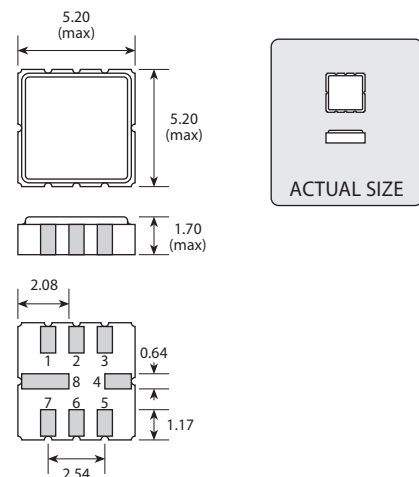


## 5.2 x 5.2



Scale 3:1

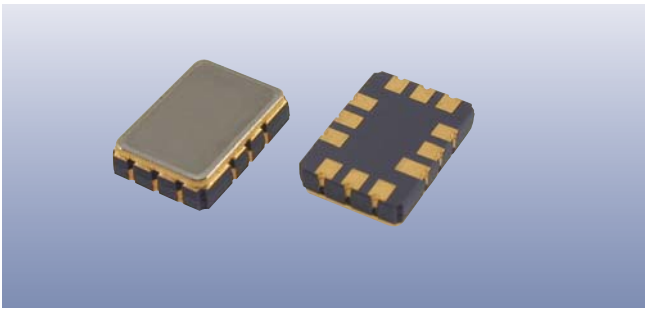
Pad connections may vary by model. Check the full specification sheet before ordering



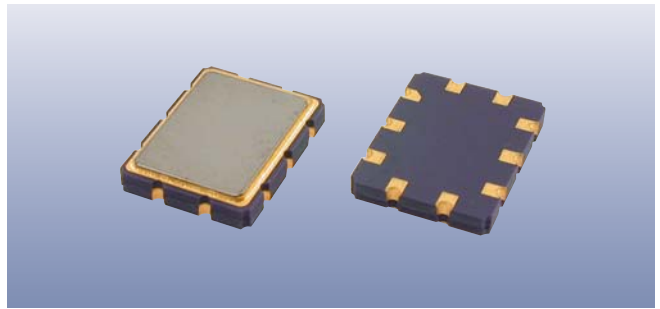
Scale 3:1

Pad connections may vary by model. Check the full specification sheet before ordering

7.0 x 5.0



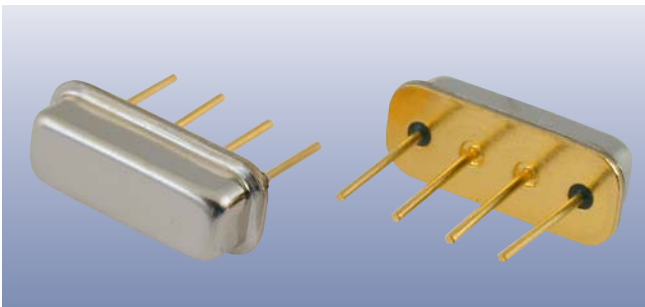
9.1 x 7.1



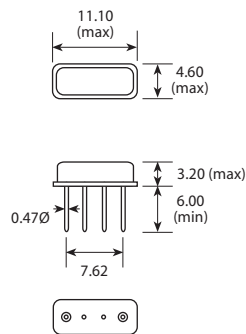
*DRAWING UNDER DEVELOPMENT*

*DRAWING UNDER DEVELOPMENT*

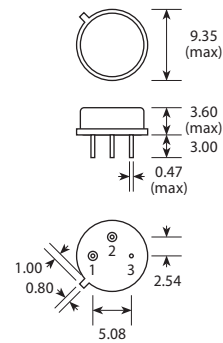
F-11



TO-39



Scale 1:1



Scale 1:1