



(1,27mm) .050"

FW SERIES

FW-30-02-F-D-425-075

FW-16-01-L-D-350-100

FW-10-04-F-D-250-100

THROUGH-HOLE MICRO BOARD STACKER

SPECIFICATIONS

For complete specifications see www.samtec.com?FW

Insulator Material:

Black Liquid Crystal Polymer

Terminal Material:

Phosphor Bronze

Plating:

Sn or Au over 50µ" (1,27µm) Ni

Current Rating:

1.75A @ 80°C ambient

Operating Temp Range:

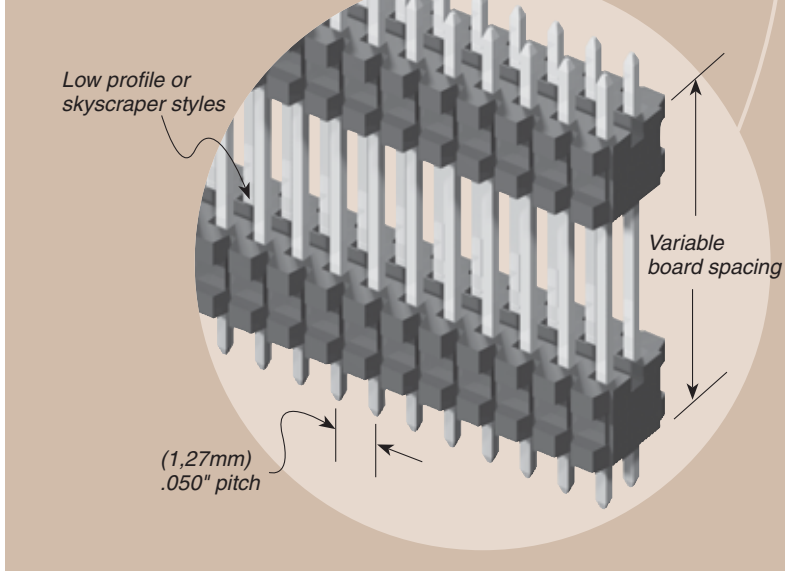
-55°C to +125°C

RoHS Compliant:

Yes



Mates with:
CLP, FFSD, FLE



ALSO AVAILABLE

- Smaller stack heights. Call Samtec.

Note: This Series is non-standard, non-returnable.

Processing:

Max Processing Temp:
230°C for 60 seconds, or
260°C for 20 seconds 3x
Lead-Free Solderable:
Yes



www.samtec.com

FW	NO. PINS PER ROW	LEAD STYLE	PLATING OPTION	D	STACKER HEIGHT	POST HEIGHT	OPTION
	02 thru 50	Specify LEAD STYLE from chart	-F = Gold flash on post, Matte Tin on tail -L = 10µ" (0,25µm) Gold on post, Matte Tin on tail -G = 10µ" (0,25µm) Gold on post, Gold flash on tail		-"XXX" = Stacker Height (in inches) Example: -250 = (6,35mm) .250"	-"XXX" = Post Height (in inches) (1,65mm) .065" minimum Example: -065 = (1,65mm) .065"	-ES = End Shroud (-075 post height only. Mate only with CLP) (5,46mm) .215" to (15,49mm) .610" stacker height only 9 pins/row minimum -EP = End Shroud with Guide Post (-075 post height only. Mate only with CLP) (5,46mm) .215" to (15,49mm) .610" stacker height only 9 pins/row minimum

LEAD STYLE	TAIL (B)
-01	(1,14) .045
-02	(1,91) .075
-04	(2,29) .090

Due to technical progress, all designs, specifications and components are subject to change without notice.

WWW.SAMTEC.COM