

# DATA SHEET 100GHz Dense Wavelength Division Multiplexing



[www.gouldfo.com](http://www.gouldfo.com)

**This is the New Power of Gould!**

1121 Benfield Blvd., Millersville, MD 21108

Toll Free: 800.54.GOULD

VOICE: 410.987.5600 FAX: 410.987.1201

EMAIL: [info@gouldfo.com](mailto:info@gouldfo.com) WEB: [www.gouldfo.com](http://www.gouldfo.com)

## PRODUCT DESCRIPTION

The 100GHz Dense Wavelength Division Multiplexer products are designed for use in DWDM transmission systems and CATV networks to multiplex or demultiplex multiple ITU Grid wavelength channels. These modules are made based on thin film technology and offer low insertion loss, superior wavelength stability, high channel isolation, epoxy free optical paths and completely passive operation.

## FEATURES

- High Channel Isolation
- Low Insertion Loss
- Highly Stable & Reliable
- Bellcore 1221 Compliant

## APPLICATIONS

- Telecommunications
- Optical Networks
- Fiber Amplifier Systems
- DWDM Systems



## OPTICAL PARAMETERS\*

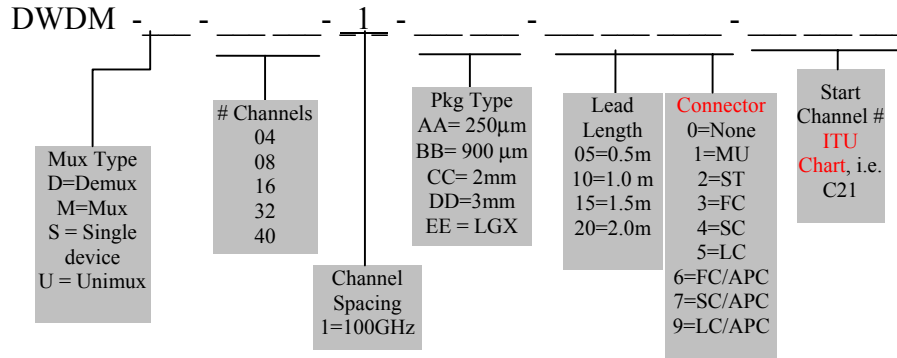
Center Wavelength Operating Range		1529.55(60#) - 1560.21(21#), ITU-T Grid			
Channels Number		8	16	32	40
Channel Passband @0.5dB (nm)		≥0.2			
Passband Flatness (dB)		≤0.5			
Insertion Loss (dB)	Typ.	3.0	4.0	5.0	6.0
	Max	3.5	4.5	5.5	6.5
Channel Uniformity (dB)		1.0			
Isolation (dB)	Adjacent Channels	≥25			
	Non-Adjacent Channels	≥40			
Return Loss (dB)		≥45			
PDL (dB)		≤0.15	≤0.15	≤0.2	≤0.2
Polarization Mode Dispersion (ps)		≤0.1			
Directivity (dB)		≥50			
Insertion Loss Thermal Stability (dB/°C)		≤0.008			
Wavelength Thermal Stability (nm/°C)		≤0.001			
Operating Temperature (°C)		0 - +65			
Storage Temperature (°C)		-40 - +85			
Package Dimension (mm)		130x87x13	150x115x13	150x110x19	

\* Without connector loss

... continued  
100 GHz DWDM

ORDERING INFORMATION

Mux/Demux



**For custom options and additional information, please contact us at:**

Phone: 1-410-987-5600

Fax: 1-410-987-1201

Web: [www.gouldfo.com](http://www.gouldfo.com)

All data listed in this data sheet is subjected to change without notice. Gould reserves the right to revise or update the data sheet. Copyright 2003 by Gould Fiber Optics.