

**Electronic transformer  
with connection socket ST 17**

**60 / 105 W**

**50 V, 16 A**

**50V ST17**

Electronic standard transformer for low voltage halogene lamps, with plug connector ST 17/2pole – female.

Short-circuit-proof, safe no-load operation, automatical power reduction in case of overheating.

Dimmable with TRONIC-dimmer.

prim.: AC 230 V~ 50 Hz

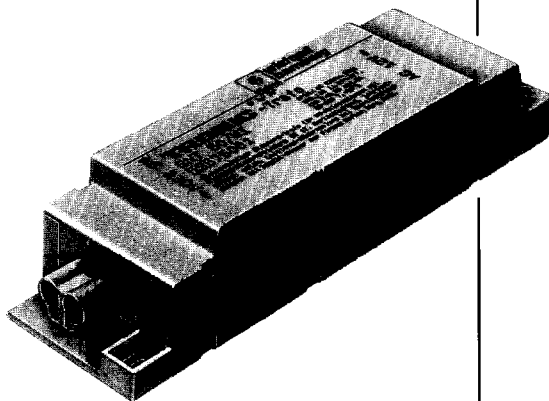
sec. : AC 11.8 V~ eff.

cos  $\phi$  = 0.98

J<sub>max</sub> 5 A / 20–60 W

J<sub>max</sub> 8,5 A / 50–105 W

T<sub>A</sub> = 50 °C

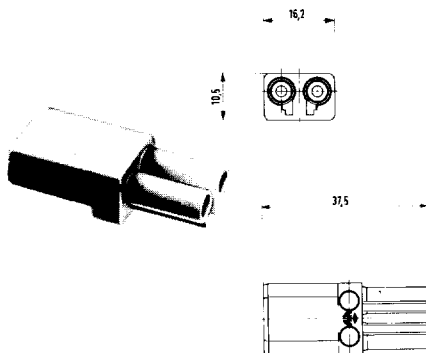


20–60 W	<b>99.400.9999.9</b>	1
50–105 W	<b>99.401.9999.9</b>	1

**Intermediate coupling**

intermediate coupling ST 17/2poles, 50 V

black	<b>93.040.0253.0</b>	100
white	<b>93.040.0258.0</b>	100



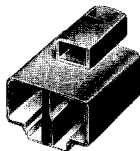
**Accessories  
ST 17/2poles**

**locking piece**

for ST 17/2poles

locking piece for male connector

black	<b>05.586.4553.0</b>	200
white	<b>05.586.4553.1</b>	200



locking piece for female connector

black	<b>05.586.4653.0</b>	200
white	<b>05.586.4653.1</b>	200

