

RED INDICATES ORIGINAL

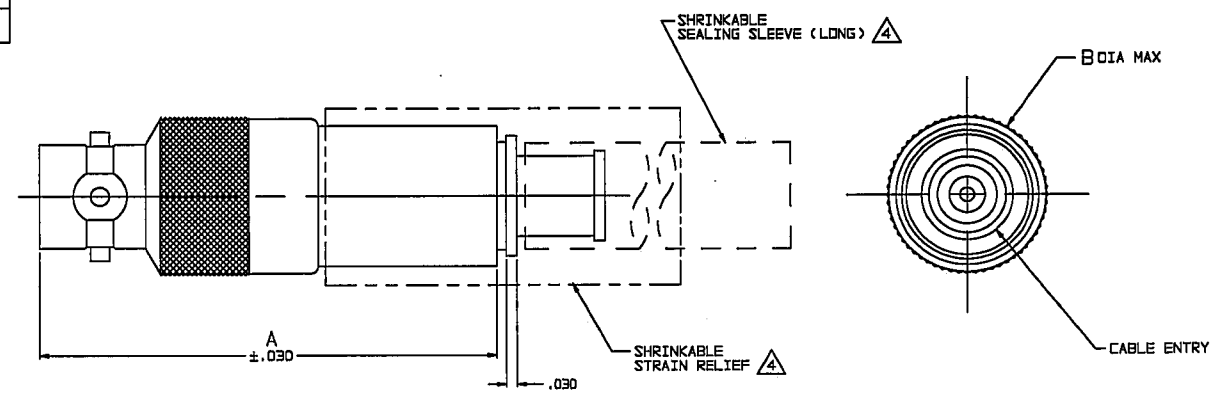
DATA CONTAINED IN THIS DOCUMENT IS PROPRIETARY TO TROMPETER ELECTRONICS, INC. AND SHALL NOT BE DISCLOSED, COPIED OR USED FOR REPRODUCTION OR MANUFACTURE WITHOUT EXPRESS WRITTEN PERMISSION.

REVISONS			3-0227	SH 1	
REV	ED	DESCRIPTION	DWN	APPROVED	DATE
L	12382	ADDED -224 & -225; SEE ECO	DBN	MM	5/18/98

DASH NO	CABLES ACCOMMODATED	A DIM	B DIA	C HEX	ASSEMBLE PER
-201	M17/176-00002				
-202	TWC-7B-1				
-203	TWC-124-1A				
-204	10602, RAYCHEM	1.164	.349	.255	TAI-143
-205	TWAC-7B-1F2				
-206	782600130, RAYCHEM				
-207	B3310 BELDEN	1.289	.452	.344	TAI-187
-208	202-3827 MICRODOT				
-209	202-3842 MICRODOT	1.164	.349	.255	TAI-143
-210	B451 BELDEN				
-211	202-3834 MICRODOT				
-212	2524E0114, RAYCHEM				
-213	TWC-7B-2	1.289	.452	.344	TAI-144
-214	TWC-124-2				
-215	BL-982 TIMES				
-216	BL-1242 TIMES				
-217	GC875TM24H, GRUMMAN				
-218	EPO 22188B, RAYCHEM				
-219	252601114, RAYCHEM				
-220	GC875RR1, GRUMMAN	1.164	.349	.255	TAI-143
-221	10614, RAYCHEM				
-222	10613, RAYCHEM				
-223	HMS2-114B, HUGHES				
-224	TWCP-124-3	1.289	.452	.344	TAI-144
-225	PS65SPL, PRIME STOCK				

DASH NO	CABLES ACCOMMODATED	A DIM	B DIA	C HEX	ASSEMBLE PER
-301	GC875GC1, GRUMMAN				
-302	GC875GB1, GRUMMAN 5022E5111, RAYCHEM	1.164	.349	.255	TAI-157
-303	7528A5314, RAYCHEM				
-304					
-305	M17/177-00001 295-3804 MICRODOT	1.289	.452	.344	TAI-173
-308	TRC-50-2 M17/134-00002				
-307	TRC-75-1	1.289	.452	.344	TAI-188
-308	TRC-75-2				
-309	TRC-50-1	1.164	.349	.255	TAI-157

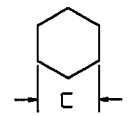
INCH	MM
.005	0.13
.030	0.76
.255	6.48
.344	8.74
.349	8.87
.452	11.48
1.00	25.40
1.25	31.75
1.164	29.57
1.289	32.74
1.75	44.45



-207 SHOWN

- ▲ 1 SHRINKABLE STRAIN RELIEF AND/OR SHRINKABLE SEALING SLEEVE SUPPLIED LOOSE AS FOLLOWS:
- CABLE GROUPS -207, -210 & -307:
 - 1 SHRINKABLE STRAIN RELIEF (1.00 LONG)
 - 1 SHRINKABLE SEALING SLEEVE (1.25 LONG)
 - CABLE GROUPS -201 THROUGH -206, -208, -209, -217 THROUGH -223, -301, -302, -303 & -309
 - 1 SHRINKABLE SEALING SLEEVE (1.25 LONG)
 - CABLE GROUPS -211 THROUGH -216, -305, -306 & -308
 - 1 SHRINKABLE STRAIN RELIEF (1.75 LONG)
3. 3-LUG SUBMINIATURE CONCENTRIC TWINAX (4 PIECE ASSY) AND TRIAX (6 PIECE ASSY), FULL CRIMP CABLE PLUG
2. FINISH: TFS-1A (NICKEL)
1. ALL DIM ARE IN INCHES

6. EXAMPLE OF COMPLETE MODEL NO.
- CJ150ACFL -201
- BASIC MODEL NO. ——— CABLE GROUP DASH NO
5. EXAMPLE OF COMPLETE PART NO:
- 310-0227 - 201
- BASIC PART NO. ——— CABLE GROUP DASH NO



RECOMMENDED
HEX CRIMP
SCALE: NONE

QTY	DESCRIPTION	PART NUMBER	ITEM
TOL UNLESS SPECIFIED XX ± .03 .XXX ± .005 X.XXX ± .005 ANGLES	TROMPETER ELECTRONICS, INC.	CJ150ACFL	
DWN DBN 4/23/88	MATERIAL CODE IDENT	DRAWING NO.	REV
CHK KM 4-24-88	14949	3-0227	L
ENGR	SCALE 4/1	DATE 5-31-85	SHEET 1 OF 2
APPR MM. S. R. 1988			