

Part No.	Type	Nominal diameter	Withdraw. force	Rated current	Contact resistance
----------	------	------------------	-----------------	---------------	--------------------

19.7060-20	SLB 4-T/N-S	4 mm	-	32 A ¹⁾	-
------------	-------------	------	---	--------------------	---

Electrostatic discharge screw-in safety jack to equip test and work stations for the protection from electrostatic charging. 4 mm (.160 in) dia., brass, nickel plated with M4 threaded post with solder hole, polyamide insulated. Mounting hole 12.8 mm (.50 in) diameter.

For use with special connecting leads on page 249.

Ratings:
 •Rated voltage: 1000 V, CAT II ¹⁾
 Colors: 20
 Tool - Spanner (twist stop) SS 2 # 25.0022
 Tool - Spanner (ring nut) SS 425 # 25.0020

19.7059-20	SLB 4-T/N	4 mm	-	32 A ¹⁾	-
------------	-----------	------	---	--------------------	---

Electrostatic discharge press-in safety jack to equip test and work stations for the protection from electrostatic charging. 4 mm (.160 in) diameter, brass, nickel plated with M4 threaded post with solder hole, polyamide insulated. Mounting hole 12.8 mm (.50 in) diameter.

For use with special connecting leads on page 249.

Ratings:
 •Rated voltage: 1000 V, CAT II ¹⁾
 Colors: 20

19.4011-20	SAB 4-GT/N	4 mm	-	32 A ¹⁾	-
------------	------------	------	---	--------------------	---

Electrostatic discharge screw-in safety jack to equip test and work stations for the protection from electrostatic charging. 4 mm (.160 in) diameter, brass, nickel plated with M4 threaded post with solder hole, polyamide insulated. Mounting hole 8.2 mm (.323 in) diameter. For use with special connecting leads on page 249.

Ratings:
 •Rated voltage: 600 V, CAT II ¹⁾
 Colors: 20 ¹⁾ For use as a grounding socket.

24.0121	ESD-ID/S4	4 mm	-	-	-
---------	-----------	------	---	---	---

Press-in jack used to equip test stations and work-stations to protect against electrostatic discharges. The receptacle 4 mm (.160 in) dia. is spring-loaded with MC[®]-Multilam™. The rear connecting pins are designed to take the RSH 1.9 round connecting receptacle.

Round connecting receptacle RSH 1.9
 brass, gold plated # 23.5202
 Mounting tool MB4-ESD # 25.0034
 HSS-Drill: 12.2 mm (.480 in) # 25.0043

20 - green/yellow 21 - black 22 - red 23 - blue 24 - yellow 25 - green 26 - violet 27 - brown 28 - gray 29 - white 33 - transparent

Nominal diameter Withdraw. force Rated current Contact resistance

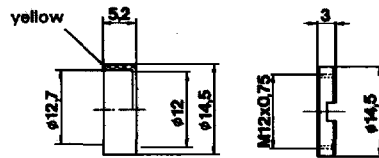
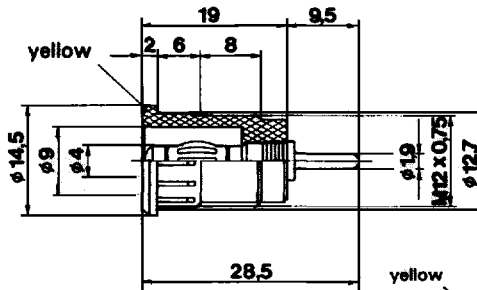
Type Part No

4 mm - - -



ESD-ID/S4-S 24.0122

Screw-in jack used to equip test stations and work-stations that have to be protected against electrostatic discharges. It is one of the precautions taken to make sure electrostatic charges are discharged harmlessly. The receptacle 4 mm (.160 in) dia. is spring-loaded with MC®-Multilam™. The rear connecting pins are designed to take the RSH 1.9 round connecting receptacle.



24.5184 23.5116 1:1

Round connecting receptacle RSH 1.9 brass, gold plated # 23.5202

Tools:
Special tube spanner SS 425 # 25.0020 (for round nut)
Counter spanner SS 2 twist stop # 25.0022
HSS-Drill: 12.2 mm (.480 in) # 25.0043

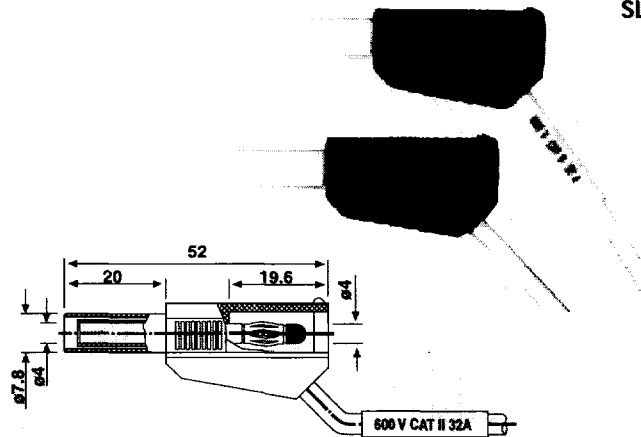
4 mm - 32 A¹⁾ -

Electrostatic discharge connecting leads to equip test and work stations for protection from electrostatic charging. Brass, nickel plated. To be used with our ESD panel mount jacks on pages 248 - 249.

• For safety reasons, these leads are **not** compatible with the 4 mm safety system.

Components and ratings:
• Wire FLEXI-2V/HK 2.5-D PVC # 60.7033-20
• Lead cross section: 2.5 mm²
• Lead insulation: PVC
• Rated voltage: 600 V, CAT II¹⁾

Colors: 20
¹⁾ for use as grounding lead.



SLK 425-T/N 49.0137-02 (25 crr)

49.0137-05 (50 crr)

49.0137-07 (75 crr)

49.0137-10 (100 crr)

49.0137-15 (150 crr)

49.0137-20 (200 crr)

1:1

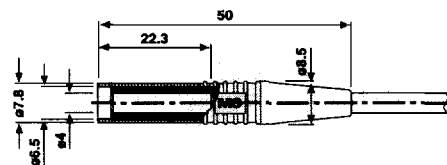
4 mm - 32 A¹⁾ -

Electrostatic discharge connecting leads to equip test and work stations for protection from electrostatic charging. Brass, nickel plated.

• For safety reasons, these leads are **not** compatible with the 4 mm safety system.

Components and ratings:
• Wire FLEXI-1V 2.5 PVC # 60.7125-20
• Socket LS 425-BFT/N # 49.7040
• Insulator KT 425-SL/F # 50.1109-24
• Lead cross section 2.5 mm²
• Lead insulation PVC
• Rated voltage 1000 V, CAT II¹⁾
• Operating temperature -10° C to +70° C

Colors: 21 - 26



SLK 425-BFT/N 49.0130-02! (25 cm)

49.0130-05! (50 cm)

49.0130-07! (75 cm)

49.0130-10! (100 cm)

49.0130-15! (150 cm)

49.0130-20! (200 cm)

1:1.3

20 - green/yellow 21 - black 22 - red 23 - blue 24 - yellow 25 - green 26 - violet 27 - brown 28 - gray 29 - white 33 - transparent