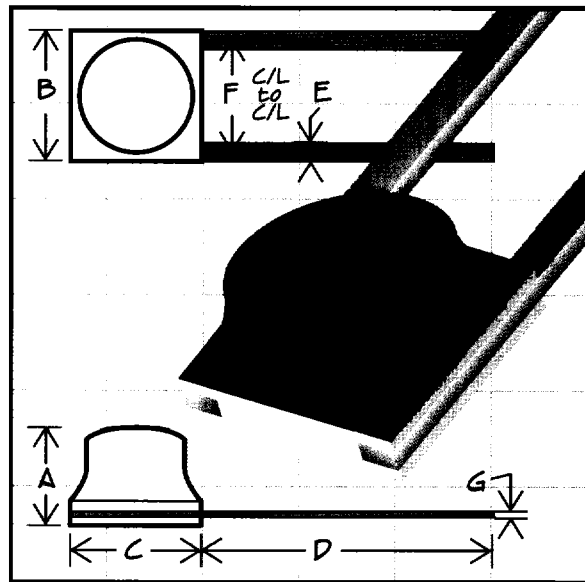




# Series 100

## Micro i<sup>®</sup> Ribbon-Lead Inductors



### Military Specifications

MS21367 (LT10K)

**Mechanical Configuration** 1) Units are epoxy encapsulated. 2) Leads are tin-plated Beryllium Copper 3) Gold Plated leads available on special order.

### Physical Parameters

	Inches	Millimeters
A	0.065 Max.	1.65 Max.
B	0.100 ± 0.010	2.54 ± 0.254
C	0.100 ± 0.010	2.54 ± 0.254
D	0.210 Min.	5.33 Min.
E	0.012 ± 0.002 (Typ.)	0.30 ± 0.05
F	0.095 ± 0.015	2.41 ± 0.381
G	0.002 +0.001-0.000	0.05 +0.025-0.000

**Current Rating at 90°C Ambient** 15°C Rise

**Operating Temperature Range** -55°C to +105°C

**Maximum Power Dissipation at 90°C** 0.0205 Watts

**Weight Max. (Grams)** 0.03

**Notes** 1) L, Q and SRF measured on Boonton Q and RX meters using special test fixtures. Details for fixtures available. 2) Part number and quantity will appear on package as units are too small for legible marking.

**Core Material** Iron (LT10K)

**Patent Protected**

Made in the U.S.A.

PART NUMBER  
MIL DASH #  
INDUCTANCE (µH)  
Q MINIMUM  
TEST FREQUENCY (MHz)  
RESONANT FREQUENCY MINIMUM (MHz)  
DC RESISTANCE MAXIMUM (OHMS)  
CURRENT RATING MAX. (mA)

### M21367- SERIES 100 IRON CORE (LT10K)

100-150N	1	0.015 ± 30%	40	50.0	250	0.065	492
100-220N	2	0.022 ± 30%	40	50.0	250	0.090	418
100-330N	3	0.033 ± 30%	40	50.0	250	0.115	370
100-470N	4	0.047 ± 30%	40	50.0	250	0.120	360
100-680N	5	0.068 ± 30%	40	50.0	250	0.150	324
100-101N	6	0.100 ± 30%	40	50.0	250	0.170	304
100-121M	7	0.12 ± 20%	35	25.0	250	0.140	335
100-151M	8	0.15 ± 20%	40	25.0	250	0.160	313
100-181M	9	0.18 ± 20%	40	25.0	250	0.190	287
100-221M	10	0.22 ± 20%	40	25.0	250	0.21	274
100-271M	11	0.27 ± 20%	40	25.0	250	0.24	256
100-331M	12	0.33 ± 20%	40	25.0	250	0.25	251
100-391M	13	0.39 ± 20%	40	25.0	200	0.28	237
100-471M	14	0.47 ± 20%	40	25.0	175	0.31	225
100-561M	15	0.56 ± 20%	40	25.0	170	0.45	185
100-681M	16	0.68 ± 20%	40	25.0	165	0.62	159
100-821M	17	0.82 ± 20%	35	25.0	160	0.65	155
100-102M	18	1.00 ± 20%	35	25.0	135	0.73	145
100-122K	19	1.20 ± 10%	35	7.9	120	1.00	125
100-152K	20	1.50 ± 10%	32	7.9	110	1.20	114
100-182K	21	1.80 ± 10%	32	7.9	95	1.50	102
100-222K	22	2.20 ± 10%	35	7.9	80	1.70	96
100-272K	23	2.70 ± 10%	35	7.9	70	2.00	89
100-332K	24	3.30 ± 10%	37	7.9	65	2.20	84
100-392K	25	3.90 ± 10%	37	7.9	60	2.80	75
100-472K	26	4.70 ± 10%	40	7.9	55	3.10	71
100-562K	27	5.60 ± 10%	40	7.9	50	3.30	69
100-682K	28	6.80 ± 10%	40	7.9	45	3.80	64
100-822K	29	8.20 ± 10%	40	7.9	43	5.00	56
100-103K	30	10.0 ± 10%	40	7.9	40	5.60	53

Parts listed above are QPL/MIL qualified

Optional Tolerances: J = 5% H = 3% G = 2% F = 1%