

MINIATURE POSITIVE ACTION SWITCHES

Series—8855, 8856, 8866-69

MIL-S-8834 Miniature Positive Action Switches
Toggle and Lever Lock/IWTS Terminals

FEATURES	SPECIFICATIONS	CURRENT RATINGS										
		No. of Poles	Catalog Number	Type of Operation	28 and 50VDC (Amperes per pole)		115VAC 60Hz and 400Hz (Amperes per pole)					
					Resistive Load 28VDC	50VDC	Inductive Load 28VDC	50VDC	Resistive Load 60Hz	400Hz	Inductive Load 60Hz	400Hz
<ul style="list-style-type: none"> Sealed bushing Dry circuit (logic level loads) to power switching levels 1 and 2 pole circuitry Non-teasible mechanism for all but center "ON" circuit Small and large size bushings and actuators Toggle and lever lock actuators Wiping action contacts Positive make and break action Integrated wire termination system (IWTS) 	<ul style="list-style-type: none"> Bushing seal or bonded seal per MIL-S-8834 MS approved and OPL listed to MIL-S-8834 Temperature range: -67°F to +160°F (-55°C to +71°C) Life: 20,000 operations at rated load 40,000 operations mechanical life Bushing thread sizes: Small Toggle: 1/4" – 40 thread Large Toggle and Lever Lock: 15/32" – 32 thread Accepts MIL-C-39029/1-101 Pin 	1	8855 8866 8868	Maintained and Momentary	5	1	1	–	2	3	1	2
		2	8856 8867 8869	Maintained and Momentary	5	1	1	–	2	3	1	2

Minimum Rating: 25 µA at 5 millivolts.

TOGGLE SWITCHES

SELECTION TABLE



CIRCUIT WITH LEVER IN...			ONE POLE			TWO POLE				
Up Position	Center Position	Down Position (Keydown)	MS Part Number	Large Lever Catalog Number	Small Lever Catalog Number	MS Part Number	Large Lever Catalog Number	Small Lever Catalog Number	MS Part Number	Catalog Number ②
ON	OFF	ON	MS21346-211	8868K51	8866K51	MS21347-211	8869K51	8867K51	MS2134-711	8869K51X
ON	NONE	OFF	-221	K57	K57	-221	K57	K57	-721	K57X
ON	NONE	ON	-231	K54	K54	-231	K54	K54	-731	K54X
ON	OFF	NONE	-241	K55	K55	-241	K55	K55	-741	K55X
ON	OFF	ON	MS21346-271	8868K52	8866K52	MS21347-271	8869K52	8867K52	MS21347-771	8869K52X
NONE	OFF	ON*	-281	K56	K56	-281	K56	K56	-781	K56X
ON	OFF	ON*	-311	K53	K53	-311	K53	K53	-811	K53X
NONE	ON	ON*	MS21346-321	K58①	K58①	MS21347-321	8869K58①	8867K58①	MS21347-821	8869K58X①
ON	ON	ON	–	–	–	-331	K59①	K59①	-831	K59X①
ON	ON	ON*	–	–	–	-351	K510①	K510①	-851	K510X①
ON	ON	ON	–	–	–	-341	K511①	K511①	-841	K511X①

* Momentary contact.
 ① Dielectric per MIL-S-8834 except limited to 1250 volts. Delayed action of the switch toggle lever may cause circuit to close or open before snap action mechanism trips.
 ② Furnished with Bonded Seal Feature. (Meets with 15" head of water level.)

MINIATURE POSITIVE ACTION SWITCHES

Series—8855, 8856, 8866-69

MIL-S-8834 Miniature Positive Action Switches
Toggle and Lever Lock/IWTS Terminals

SELECTION TABLE



8855



8856

CIRCUIT WITH LEVER IN...			ONE POLE		TWO POLE		
Up Position	Center Position	Down Position (Keyway)	Lever Lock Bushing Style	MS Part Number	Catalog Number	MS Part Number	Catalog Number
ON →	← OFF →	← ON	A	MS21346-A211	8855K54	MS21347-A211	8856K54
ON	← OFF →	ON	B	-B211	K55	-B211	K55
ON	← OFF →	NONE	B	-B241	K519	-B241	K519
ON	NONE	← OFF	C	-C221	K513	-C221	K513
ON	NONE	← ON	C	-C231	K57	-C231	K57
ON	← OFF →	ON	D	MS21346-D211	8855K510	MS21347-D211	8856K510
ON →	NONE	← OFF	E	-E221	K514	-E221	K514
ON →	NONE	← ON	E	-E231	K58	-E231	K58
* ON	← OFF →	ON*	F	-F271	K515	-E271	K515
ON	OFF →	ON*	G	-G311	K516	-G311	K516
* ON	← OFF →	ON*	H	MS21346-H271	8855K517	MS21347-H271	8856K517
ON →	← OFF →	NONE	J	-J241	K59	-J241	K59
NONE	OFF →	ON*	K	-K281	K518	-K281	K518
ON	← OFF →	ON*	K	-K311	K520	-K311	K520
ON	← OFF →	ON*	L	-L311	K512	-L311	K512
ON →	← ON →	← ON	A				8856K527

* Momentary contact.

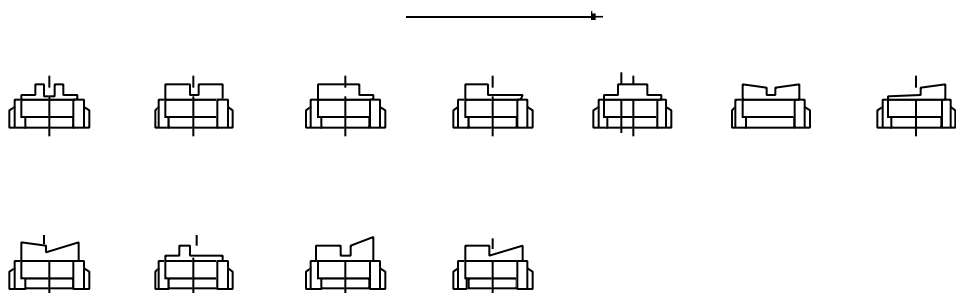
→ Indicates direction against which lever is locked.

See page 77 for special circuit diagrams.

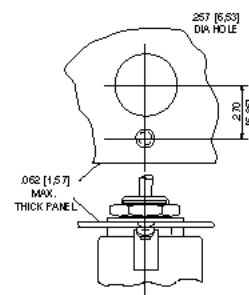
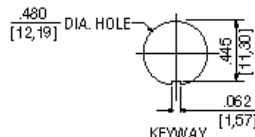
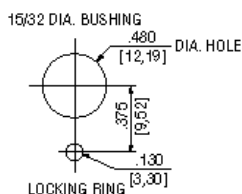
OPTIONS/ACCESSORIES

- Special mounting hardware
- Special marking
- Mounting hardware furnished assembled
- Panel seal, Part Number 32-341 (15/32" - 32 bushing only)
- Special circuits
- Special bushing and lever finish
- Special locking cap style on lever lock switches
- EMI/RFI capability on two pole (15/32" - 32 bushing only)

LEVER LOCK – BUSHING STYLES



PANEL CUTOUT DIMENSIONS

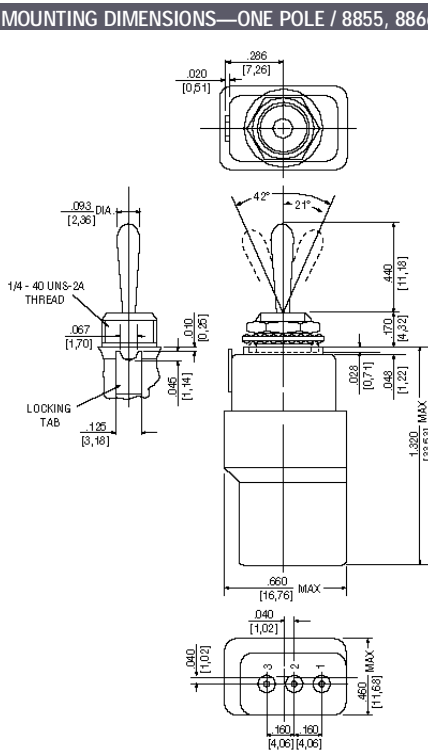


MINIATURE POSITIVE ACTION SWITCHES

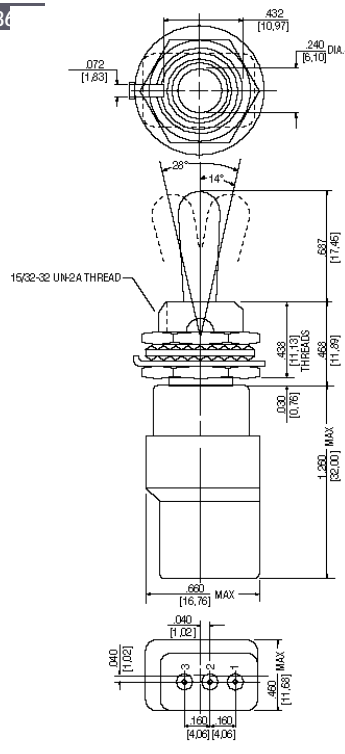
Series—8855, 8856, 8866-69

MIL-S-8834 Miniature Positive Action Switches
Toggle and Lever Lock/IWTS Terminals

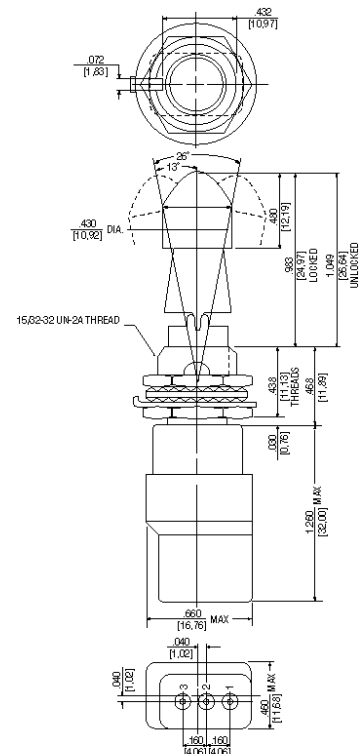
MOUNTING DIMENSIONS—ONE POLE / 8855, 8866, 8867



Small Toggle

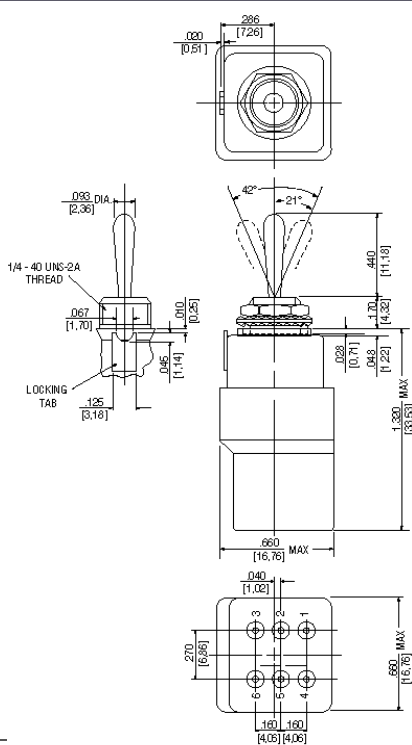


Large Toggle / Terminal Identification

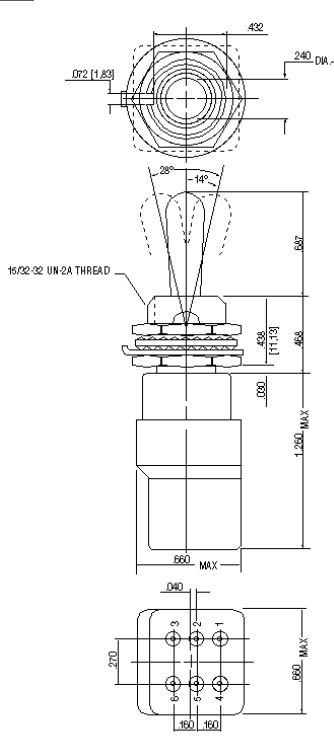


Lever Lock

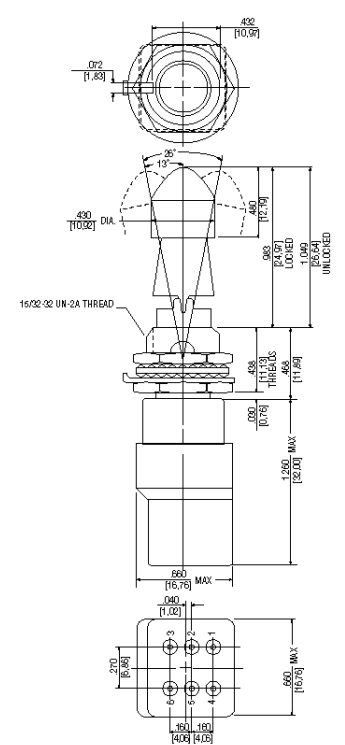
MOUNTING DIMENSIONS—TWO POLE / 8856, 8867, 8869



Small Toggle



Large Toggle / Terminal Identification



Lever Lock

STANDARD
0.00 = inches
[0.0] = mm