

# Solid State Lamp (LED Lamp Cluster)

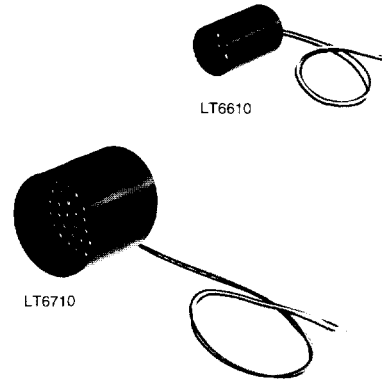
## General Description

Sharp can supply 6 models of solid state lamps ; 22X22mm,  $\phi$ 26 mm series and  $\phi$ 52 mm series. The radiation color is dichromatic emission type; red(super-luminosity) and yellow-green.

They are suited for LED information displays for outdoor use because they featured water-proof structure and high visibility due to the employment of wide viewing angle high-luminosity LED lamps.

## Model Line-up

Radiation color	Radiation shape (mm)	Model No.	Viewing angle	Outline dimensions
Yellow-green+ Red(Super-luminosity)	22X22(Oval lamp type)	LT6822	Horizontal:35° Vertical:15°	1
	$\phi$ 26	LT6610	$\pm 25^\circ$	2
	26X26(Oval lamp type)	LT6850	Horizontal:35° Vertical:15°	3
	$\phi$ 52	LT6710	$\pm 25^\circ$	4
	$\phi$ 52(Food-cut type)	LT6725	$\pm 25^\circ$	5
	$\phi$ 52(Food-cut type,Oval lamp type)	LT6750	Horizontal:35° Vertical:15°	6



## Absolute Maximum Ratings

(Ta=25°C)

Model No.	Radiation color	Power dissipation P (W)	Forward current I <sub>F</sub> (mA)	Reverse current V <sub>R</sub> (V)	Operating temperature Topr. (°C)	Storage temperature T <sub>stg.</sub> (°C)
LT6822	Yellow-green	0.52	60	16	-25 to +60	-30 to +100
	Red(Super-luminosity)	0.23	30	16		
LT6610	Yellow-green	0.6	60	15	-25 to +60	-30 to +100
	Red(Super-luminosity)	0.3	30	15		
LT6850	Yellow-green	0.65	60	15	-25 to +60	-30 to +100
	Red(Super-luminosity)	0.3	30	15		
LT6710	Yellow-green	1.7	90	24	-25 to +60	-30 to +100
	Red(Super-luminosity)	1.1	60	24		
LT6725	Yellow-green	2.3	120	24	-25 to +60	-30 to +100
	Red(Super-luminosity)	0.8	60	24		
LT6750	Yellow-green	2.3	120	24	-25 to +60	-30 to +100
	Red(Super-luminosity)	0.8	60	24		

## Electro-optical Characteristics

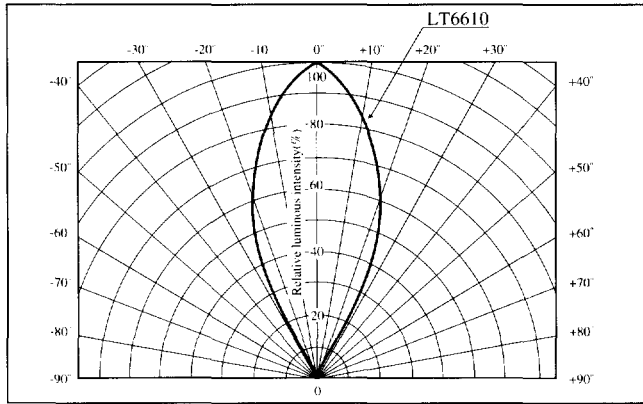
(Ta=25°C)

Model No.	Radiation color	Forward voltage V <sub>F</sub> (V)		Luminous intensity I <sub>v</sub> (cd)	Peak emission wavelength $\lambda_p$ (nm)	Spectrum radiation bandwidth $\Delta\lambda$ (nm)		Reverse current	
		TYP.	MAX.	TYP.	TYP.	TYP.	I <sub>F</sub> (mA)	I <sub>R</sub> ( $\mu$ A) MAX.	V <sub>R</sub> (V)
LT6822	Yellow-green	8.6	9.2	1.05	565	30	40	20	16
	Red(Super-luminosity)	7.4	8.0	1.6	660	20	20	100	16
LT6610	Yellow-green	8.5	9.4	0.8	565	30	40	100	15
	Red(Super-luminosity)	9.3	10.2	1.6	660	20	20	100	15
LT6850	Yellow-green	10.8	11.8	1.8	565	30	40	100	15
	Red(Super-luminosity)	9.3	10.3	2.0	660	20	20	100	15
LT6710	Yellow-green	19.0	20.5	3.2	565	30	60	100	24
	Red(Super-luminosity)	18.5	20.0	6.0	660	20	40	100	24
LT6725	Yellow-green	19.0	20.5	5.0	565	30	40	100	24
	Red(Super-luminosity)	13.2	14.0	5.0	660	20	80	100	24
LT6750	Yellow-green	19.0	20.5	5.3	565	30	80	100	24
	Red(Super-luminosity)	13.2	14.0	5.6	660	20	40	100	24

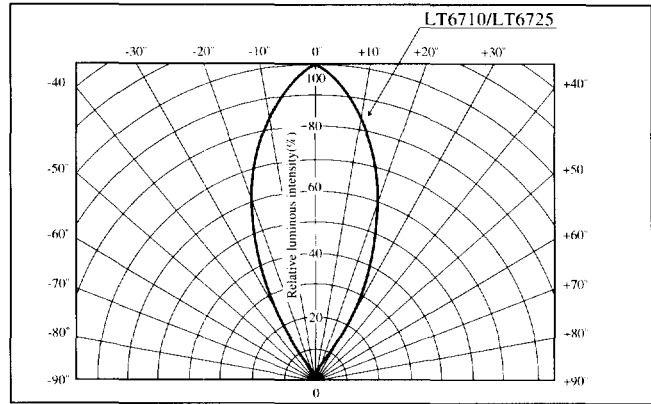
# Solid State Lamp Radiation Diagrams/Outline Dimensions(Unit:mm)

## Radiation Diagrams

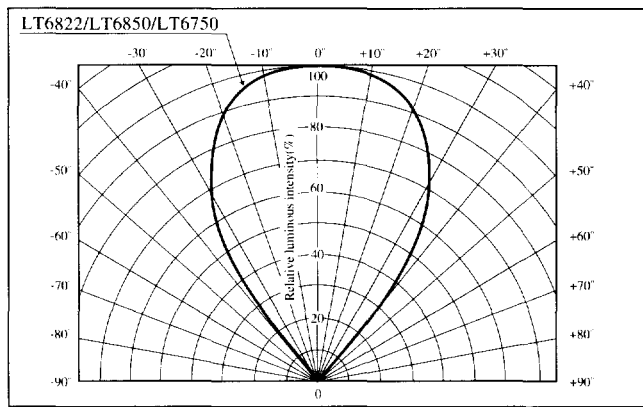
(Ta=25°C)



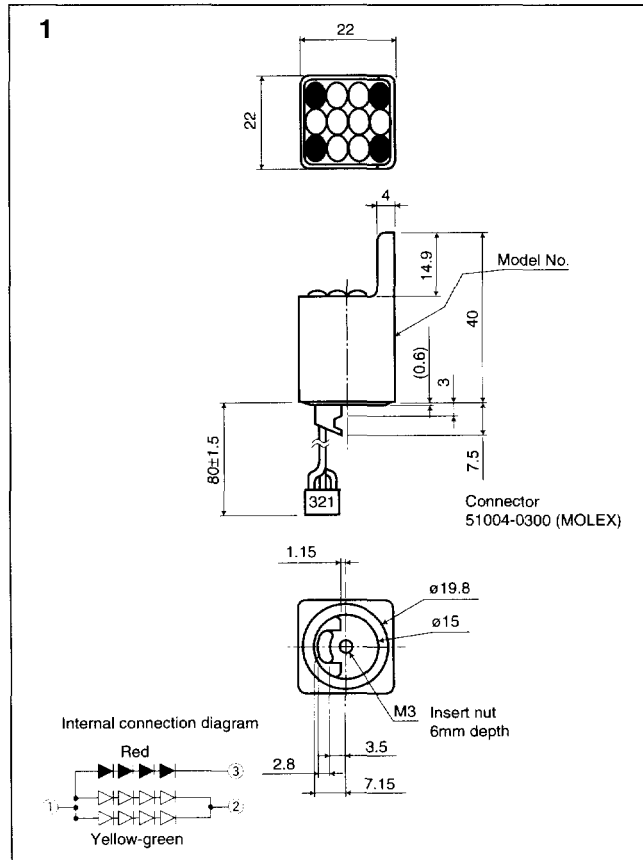
(Ta=25°C)



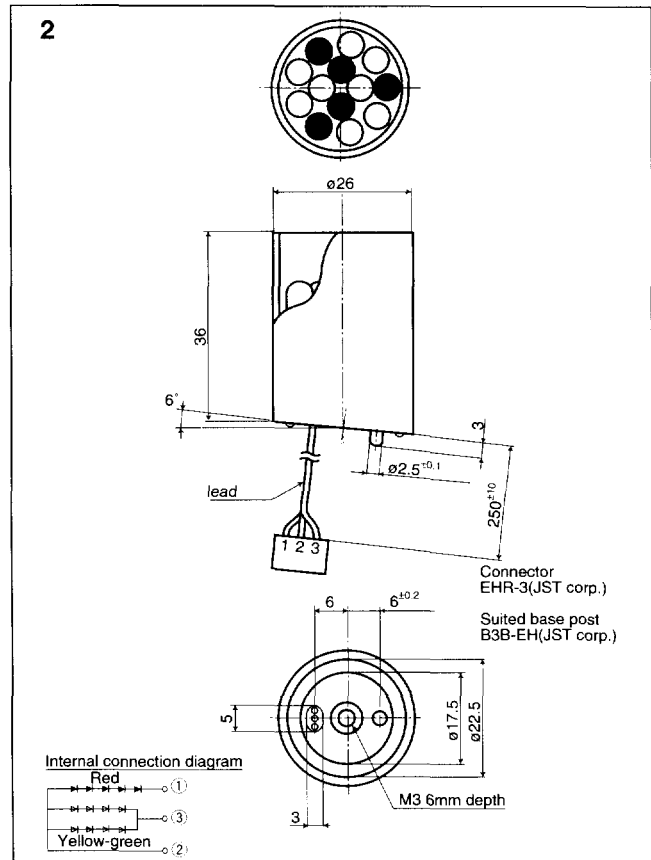
(Ta=25°C)



\*As for current conditions, refer to I<sub>v</sub> in electro-optical characteristics.

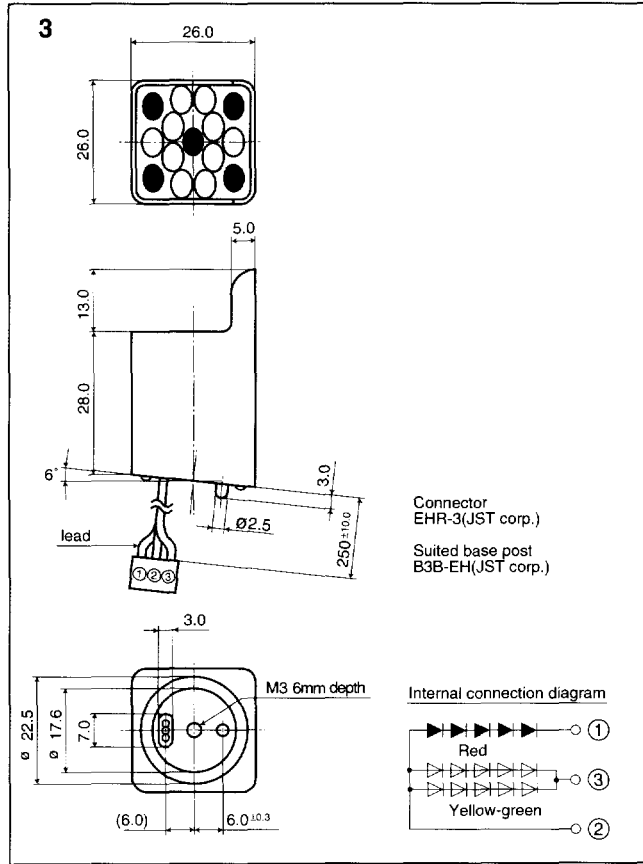


LT6822

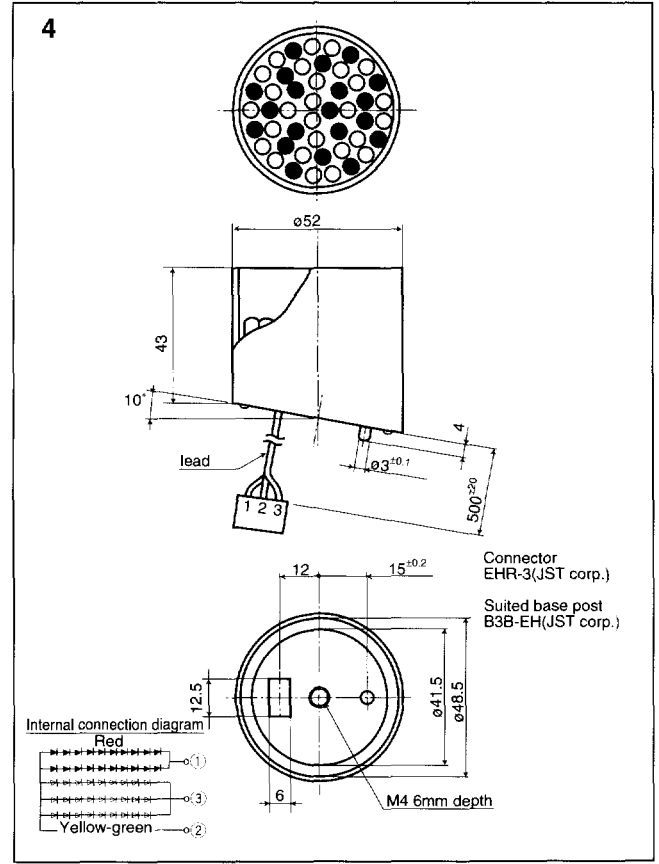


LT6610

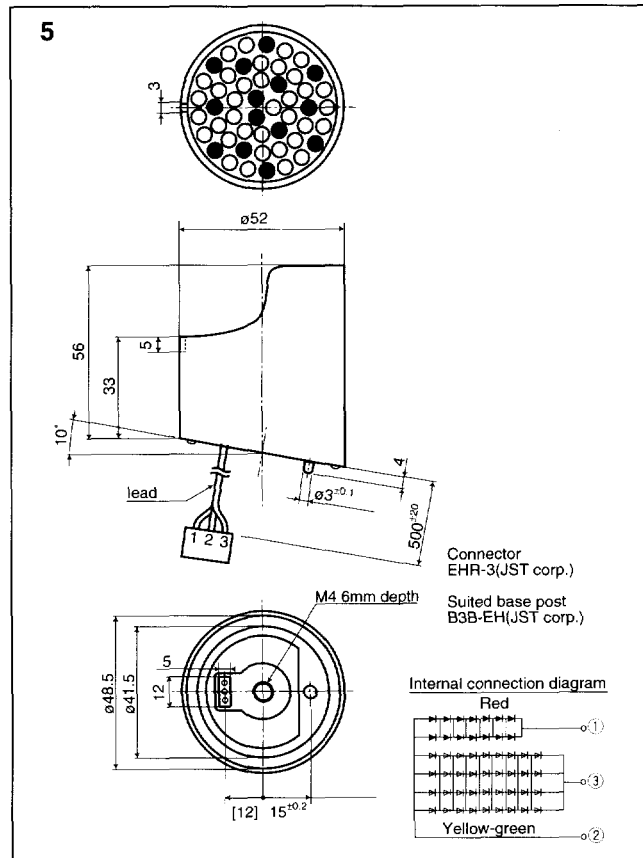
# Solid State Lamp Outline Dimensions(Unit:mm)



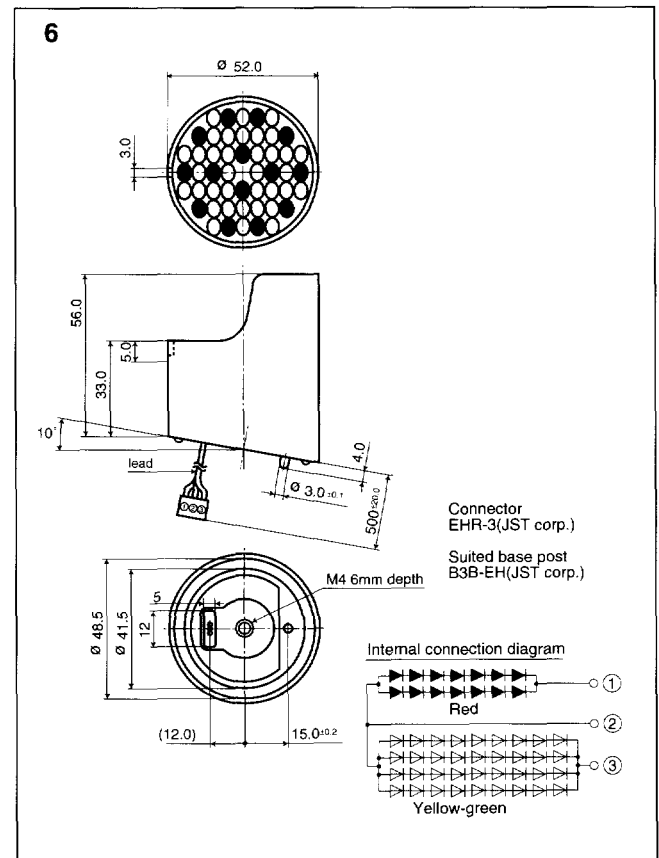
LT6850



LT6710



LT6725



LT6750