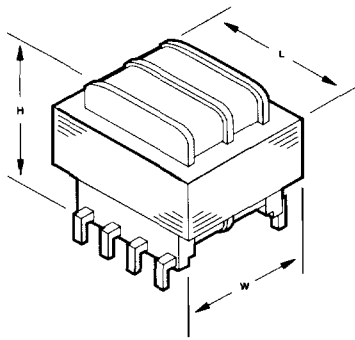


# POWER TRANSFORMERS

PC MOUNT - SPLIT PACK™



**DESCRIPTION:** The TRIAD Split Pack split bobbin transformer from MagneTek is an extremely versatile tool for PC board applications. Split Pack transformers are nonconcentrically wound - with primaries and secondaries side-by-side. Unlike the secondary-on-top-of-primary designs of standard PC board transformers, the split bobbin winding and low capacitive coupling eliminate costly electrostatic shielding. It is offered in a dual secondary configuration with either single or dual primaries.

**SPECIFICATIONS:**

Primary: 115/230 V, 50/60 Hz  
 VA Ranges: 1.1 to 36.0  
 Secondary: Series - 10 to 120 V  
 Parallel - 5 to 60 V

Class B  
 UL Recognized



UL File E53148

**Split Pack**

21

Section	Primary # Pin	Dual Primary # Pin	VA	Secondary		Dimensions								Wt. Lbs.
				Series	Parallel	H	W	L	ML	A	B	C		
A	F10-110	FS10-110	1.1	10.0V CT @ 0.11A	5.0V @ 0.22A	1 <sup>1</sup> / <sub>16</sub>	1 <sup>1</sup> / <sub>8</sub>	1 <sup>3</sup> / <sub>8</sub>	-	0.250	0.250	1.20	0.17	
	F12-090	FS12-090		12.6V CT @ 0.09A	6.3V @ 0.18A									
	F16-070	FS16-070		16.0V CT @ 0.07A	8.0V @ 0.14A									
	F20-055	FS20-055		20.0V CT @ 0.055A	10.0V @ 0.11A									
	F24-045	FS24-045		24.0V CT @ 0.045A	12.0V @ 0.09A									
	F28-040	FS28-040		28.0V CT @ 0.04A	14.0V @ 0.08A									
	F36-030	FS36-030		36.0V CT @ 0.03A	18.0V @ 0.06A									
	F48-023	FS48-023		48.0V CT @ 0.023A	24.0V @ 0.046A									
	F56-020	FS56-020		56.0V CT @ 0.02A	28.0V @ 0.04A									
	F120-010	FS120-01		120.0V CT @ 0.01A	60.0V @ 0.02A									
	B	F10-250		FS10-250	2.5									10.0V CT @ 0.25A
F12-200		FS12-200	12.6V CT @ 0.2A	6.3V @ 0.4A										
F16-150		FS16-150	16.0V CT @ 0.15A	8.0V @ 0.3A										
F20-120		FS20-120	20.0V CT @ 0.12A	10.0V @ 0.24A										
F24-100		FS24-100	24.0V CT @ 0.1A	12.0V @ 0.2A										
F28-85		FS28-85	28.0V CT @ 0.085A	14.0V @ 0.17A										
F36-65		FS36-65	36.0V CT @ 0.065A	18.0V @ 0.13A										
F48-050		FS48-050	48.0V CT @ 0.05A	24.0V @ 0.1A										
F56-045		FS56-045	56.0V CT @ 0.045A	28.0V @ 0.09A										
F120-020		FS120-02	120.0V CT @ 0.02A	60.0V @ 0.04A										
C		F10-600	FS10-600	6.0		10.0V CT @ 0.6A	5.0V @ 1.2A	1 <sup>1</sup> / <sub>16</sub>	1 <sup>1</sup> / <sub>8</sub>	1 <sup>3</sup> / <sub>8</sub>	1 <sup>1</sup> / <sub>16</sub>	0.250	0.350	1.280
	F12-500	FS12-500	12.6V CT @ 0.5A		6.3V @ 1.0A									
	F16-400	FS16-400	16.0V CT @ 0.4A		8.0V @ 0.8A									
	F20-300	FS20-300	20.0V CT @ 0.3A		10.0V @ 0.6A									
	F24-250	FS24-250	24.0V CT @ 0.25A		12.0V @ 0.5A									
	F28-200	FS28-200	28.0V CT @ 0.2A		14.0V @ 0.4A									
	F36-170	FS36-170	36.0V CT @ 0.17A		18.0V @ 0.34A									
	F48-125	FS48-125	48.0V CT @ 0.125A		24.0V @ 0.25A									
	F56-110	FS56-110	56.0V CT @ 0.11A		28.0V @ 0.22A									
	F120-050	FS120-05	120.0V CT @ 0.05A		60.0V @ 0.1A									
	D	F10-1200	FS10-1200		12.0	10.0V CT @ 1.2A	5.0V @ 2.4A							
F12-1000		FS12-1000	12.6V CT @ 1.0A	6.3V @ 2.0A										
F16-800		FS16-800	16.0V CT @ 0.8A	8.0V @ 1.6A										
F20-600		FS20-600	20.0V CT @ 0.6A	10.0V @ 1.2A										
F24-500		FS24-500	24.0V CT @ 0.5A	12.0V @ 1.0A										
F28-420		FS28-420	28.0V CT @ 0.42A	14.0V @ 0.84A										
F36-350		FS36-350	36.0V CT @ 0.35A	18.0V @ 0.7A										
F48-250		FS48-250	48.0V CT @ 0.25A	24.0V @ 0.5A										
F56-220		FS56-220	56.0V CT @ 0.22A	28.0V @ 0.44A										
F120-100		FS120-100	120.0V CT @ 0.1A	60.0V @ 0.2A										
E		F10-2000	FS10-2000	20.0		10.0V CT @ 2.0A	5.0V @ 4.0A	1 <sup>1</sup> / <sub>16</sub>	1 <sup>1</sup> / <sub>8</sub>	2 <sup>1</sup> / <sub>4</sub>	1 <sup>1</sup> / <sub>2</sub>	0.30	0.40	1.60
	F12-1600	FS12-1600	12.6V CT @ 1.6A		6.3V @ 3.2A									
	F16-1250	FS16-1250	16.0V CT @ 1.25A		8.0V @ 2.5A									
	F20-1000	FS20-1000	20.0V CT @ 1.0A		10.0V @ 2.0A									
	F24-800	FS24-800	24.0V CT @ 0.8A		12.0V @ 1.6A									
	F28-700	FS28-700	28.0V CT @ 0.7A		14.0V @ 1.4A									
	F36-550	FS36-550	36.0V CT @ 0.55A		18.0V @ 1.1A									
	F48-400	FS48-400	48.0V CT @ 0.4A		24.0V @ 0.8A									
	F56-350	FS56-350	56.0V CT @ 0.35A		28.0V @ 0.7A									
	F120-160	FS120-160	120.0V CT @ 0.16A		60.0V @ 0.32A									

CT = Center Tap



# POWER TRANSFORMERS

PC MOUNT - SPLIT PACK™



Section	Single Primary 6 Pin	Dual Primary 8 Pin	VA	Secondary		Dimensions							Wt. Lbs.
				Series	Parallel	H	W	L	ML	A	B	C	
A	F10-3600	FS10-3600	36.0	10.0V CT @ 3.6A	5.0V @ 7.2A	1 1/16	2 1/16	2 1/8	*	0.40	0.40	1.850	1.1
	F12-2850	FS12-2850		12.6V CT @ 2.85A	6.3V @ 5.7A								
	F16-2250	FS16-2250		16.0V CT @ 2.25A	8.0V @ 4.5A								
	F20-1800	FS20-1800		20.0V CT @ 1.8A	10.0V @ 3.6A								
	F24-1500	FS24-1500		24.0V CT @ 1.5A	12.0V @ 3.0A								
	F28-1300	FS28-1300		28.0V CT @ 1.3A	14.0V @ 2.6A								
	F36-1000	FS36-1000		36.0V CT @ 1.0A	18.0V @ 2.0A								
	F48-750	FS48-750		48.0V CT @ 0.75A	24.0V @ 1.5A								
	F56-650	FS56-650		56.0V CT @ 0.65A	28.0V @ 1.3A								
	F120-300	FS120-300		120.0V CT @ 0.3A	60.0V @ 0.6A								

\* 36 VA size has 4 mtg. holes on 2 3/16 x 1 3/4 centers. CT = Center Tap

22

## TECHNICAL NOTES:

- Hi-pot tested at 2,500 VRMS.
- PC terminal pin spacing for accurate placement.
- Series Connection 230 V:**  
 Primary: Input 1 & 4  
 Connect 2 & 3  
 Secondary: Output 5 & 8  
 Connect 6 & 7
- Parallel Connection 115 V:**  
 Primary: Input 1 & 2  
 Connect 1 & 3, 2 & 4  
 Secondary: Output 5 & 6  
 Connect 5 & 7, 6 & 8

