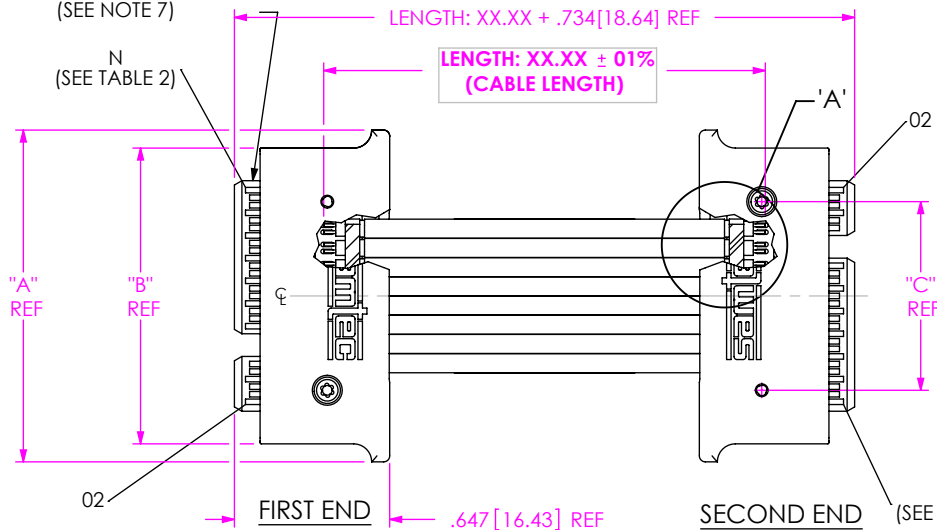


DO NOT SCALE FROM THIS PRINT

THIS PRODUCT MANUFACTURED WITH LEAD-FREE PROCESSING

SUB-PCB-0453-EEDP-XXX-EC-S
(SEE NOTE 7)



No OF PAIRS
-008, -016, -024 (SEE SHEET 5), -032
(SEE TABLE 8, SHEET 8)

LENGTH
-XX.XX (INCHES)
(03.75[95.3] MIN)
(SEE NOTE 2)
(SEE NOTE 10)

FIRST END

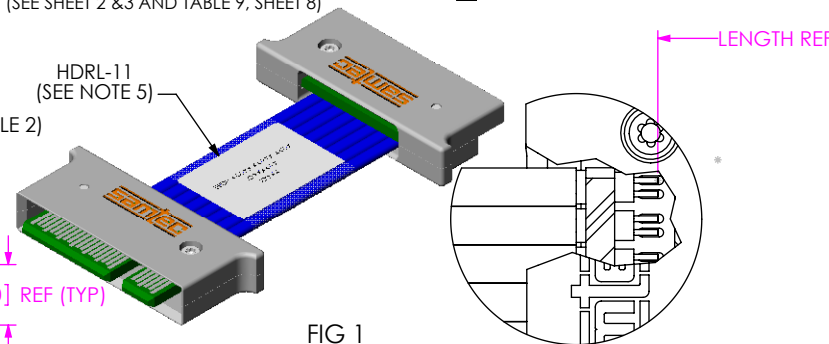
- DV1: DOUBLE VERTICAL
 - DV2: DOUBLE VERTICAL (FLIPPED)
 - DS1: DV1 WITH CAPTIVE PANEL SCREWS
 - DS2: DV2 WITH CAPTIVE PANEL SCREWS
 - RA1: RIGHT ANGLE (SHROUD UP)
 - RA2: RIGHT ANGLE (SHROUD DOWN)
 - RS1: RA1 WITH CAPTIVE PANEL SCREWS
 - RS2: RA2 WITH CAPTIVE PANEL SCREWS
 - LV1: DV1 WITH LATCHES (SEE SHEET 7)
 - LV2: DV2 WITH LATCHES (SEE SHEET 7)
 - RL1: RIGHT ANGLE W/ LATCHES (SHROUD UP)
 - RL2: RIGHT ANGLE W/ LATCHES (SHROUD DOWN)
- (SEE SHEET 2 & 3 AND TABLE 9, SHEET 8)

WIRING OPTION

- 1: PIN 1 TO PIN 1
 - 2: PIN 1 TO PIN 2
 - 3: PIN 1 TO PIN N-1
 - 4: PIN 1 TO PIN N
- (SEE TABLE 3, SHEET 5 FOR -008, -016, -032; SEE TABLE 5, SHEET 6 FOR -024)

SECOND END

- DV1: DOUBLE VERTICAL
 - DV2: DOUBLE VERTICAL (FLIPPED)
 - DS1: DV1 WITH CAPTIVE PANEL SCREWS
 - DS2: DV2 WITH CAPTIVE PANEL SCREWS
 - RA1: RIGHT ANGLE (SHROUD UP)
 - RA2: RIGHT ANGLE (SHROUD DOWN)
 - RS1: RA1 WITH CAPTIVE PANEL SCREWS
 - RS2: RA2 WITH CAPTIVE PANEL SCREWS
 - LV1: DV1 WITH LATCHES (SEE SHEET 7)
 - LV2: DV2 WITH LATCHES (SEE SHEET 7)
 - RL1: RIGHT ANGLE W/ LATCHES (SHROUD UP)
 - RL2: RIGHT ANGLE W/ LATCHES (SHROUD DOWN)
- (SEE SHEET 3 & 4 AND TABLE 9, SHEET 8)



EEDP-016-XX.XX-3-DV1-RA1 SHOWN

NOTES:

1. REPRESENTS A CRITICAL DIMENSION.
2. SUB-TTF LENGTH IS EQUAL TO EEDP LENGTH.
3. ALL ASSEMBLIES TO BE 100% ELECTRICALLY TESTED FOR SHORTS AND OPENS.
4. ALL ASSEMBLIES TO BE 100% HI-POT TESTED AT 300V.
5. TOP SUB-TTS NOT SHOWN IN THIS VIEW FOR CLARITY; HDRL-11 TO BE CENTERED ON LOWER SUB-TTS AS SHOWN; HDRL-11 IS TO CONTAIN PART NUMBER, SHOP NUMBER, & DATE CODE.
6. FOR PACKAGING REQUIREMENTS REFERENCE PACKAGING STANDARDS.
7. FOR PRE-TINNING PROCESSING INFORMATION ON THE SUB-PCB'S, SEE TRAVELER SUB-PCB-0453-EEDP-XXX".
8. KEY CONSUMES FOUR PITCHES.
9. LVX OPTION: TIGHTEN TO 1.4-1.5 IN-LBS.
10. CABLE LENGTHS LONGER THAN 40.00 INCHES ARE NOT SUPPORTED BY S.I. TEST DATA.

DETAIL 'A'
SCALE 2.5: 1

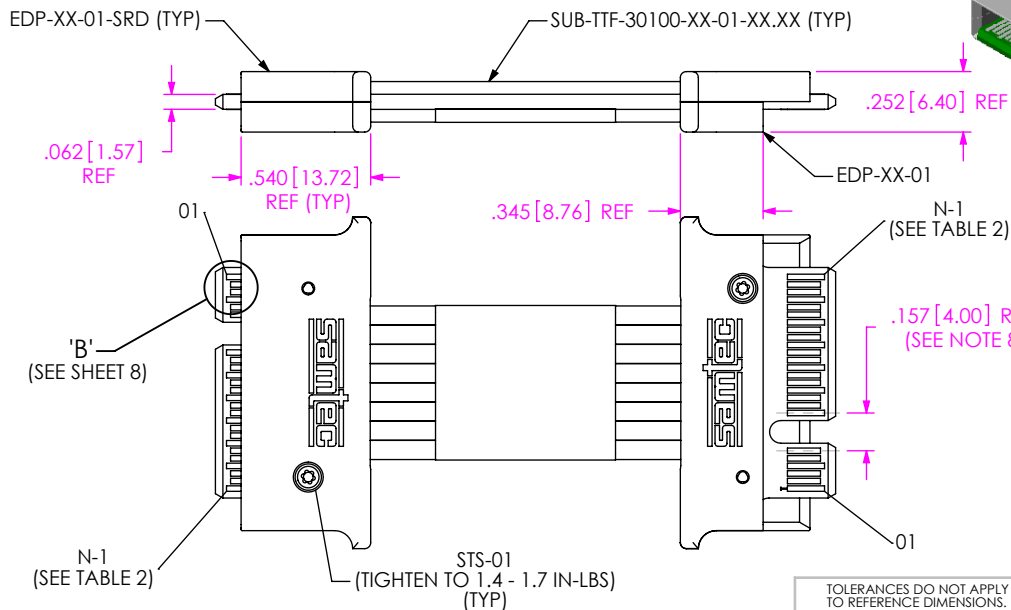


TABLE 2

No. OF PAIRS	N	N-1
-008	26	25
-016	50	49
-024	74	73
-032	98	97

TABLE 1

No. OF PAIRS	"A"	"B"	"C"	EDP-XX-01-XXX	SUB-TTF-30100-XX-01-XX.XX	SUB-PCB-0453-EEDP-XXX-EC-X (SEE NOTE 7)
-008	0.965 [24.51]	0.815 [20.70]	0.451 [11.45]	EDP-08-01-XXX	SUB-TTF-30100-04-01-XX.XX	SUB-PCB-0453-EEDP-008-E-C-X
-016	1.382 [35.10]	1.232 [31.29]	0.786 [19.96]	EDP-16-01-XXX	SUB-TTF-30100-08-01-XX.XX	SUB-PCB-0453-EEDP-016-E-C-X
-024	1.760 [44.70]	1.610 [40.89]	1.164 [29.56]	EDP-24-01-XXX	SUB-TTF-30100-XX-01-XX.XX (SEE FIG. 3, SHEET 5)	SUB-PCB-0453-EEDP-024-E-C-X
-032	2.099 [53.31]	1.949 [49.50]	1.483 [37.66]	EDP-32-01-XXX	SUB-TTF-30100-16-01-XX.XX	SUB-PCB-0453-EEDP-032-E-C-X

F:\DWG\MISC\MKTG\EEDP-XXX-XX-XXX-XXX-X-MKT.SLDDRW

TOLERANCES DO NOT APPLY TO REFERENCE DIMENSIONS, UNLESS OTHERWISE SPECIFIED. DIMENSIONS ARE IN INCHES. TOLERANCES ARE:

DECIMALS ANGLES
 .XX: ±.01[.3] 2°
 .XXX: ±.005[.13]
 .XXXX: ±.0020[.051]

PROPRIETARY NOTE

THIS DOCUMENT CONTAINS INFORMATION CONFIDENTIAL AND PROPRIETARY TO SAMTEC, INC. AND SHALL NOT BE REPRODUCED OR TRANSFERRED TO OTHER DOCUMENTS OR DISCLOSED TO OTHERS OR USED FOR ANY PURPOSE OTHER THAN THAT WHICH IT WAS OBTAINED WITHOUT THE EXPRESSED WRITTEN CONSENT OF SAMTEC, INC.

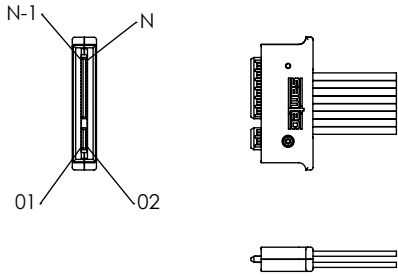
MATERIAL: DO NOT SCALE DRAWING SHEET SCALE: 1:25:1



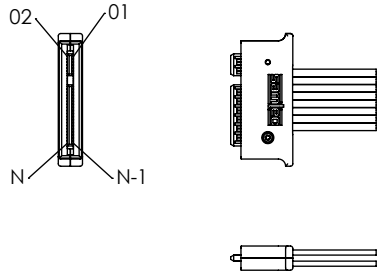
520 PARK EAST BLVD. NEW ALBANY, IN 47150
 PHONE: 812-944-6733 FAX: 812-948-5047
 e-Mail: info@SAMTEC.com code 55322

DESCRIPTION:
TWIN-AX EDGE CARD CABLE ASSEMBLY
 DWG. NO.
EEDP-XXX-XX.XX-XXX-XXX-X
 BY: BRATCHER 09/25/2003 SHEET 1 OF 9

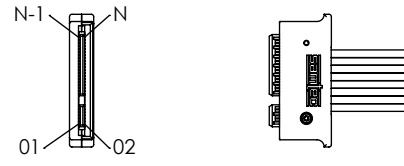
-DV1



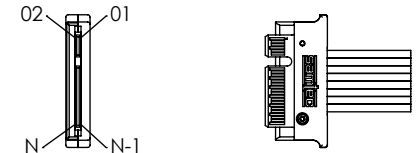
-DV2



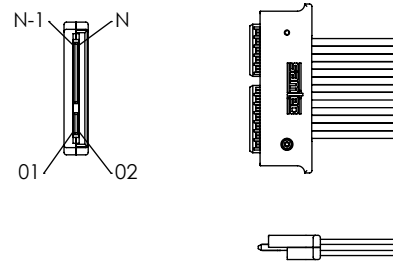
-RA1
-008 & -016



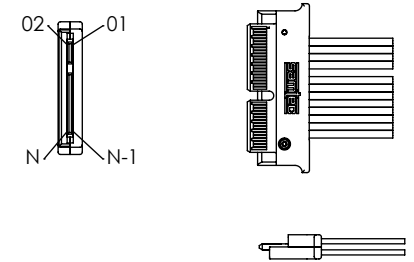
-RA2
-008 & -016



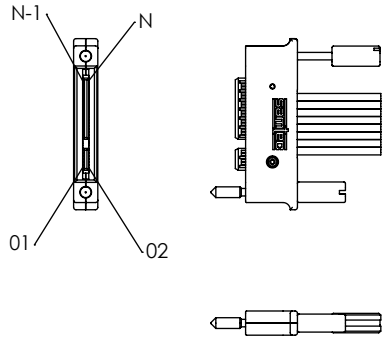
-024 & -032



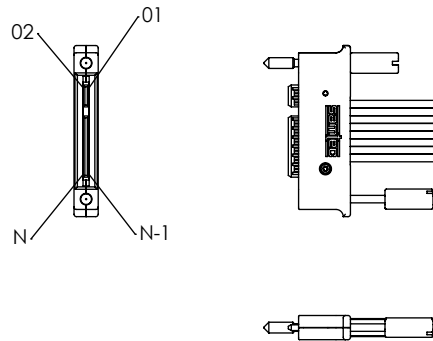
-024 & -032



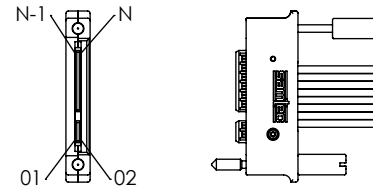
-DS1



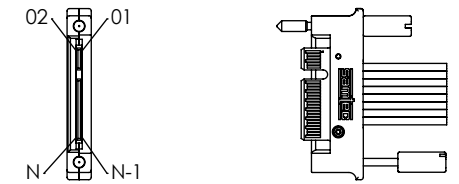
-DS2



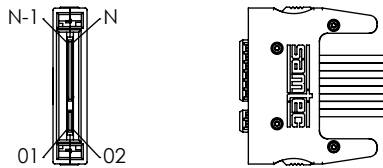
-RS1
-008 & -016



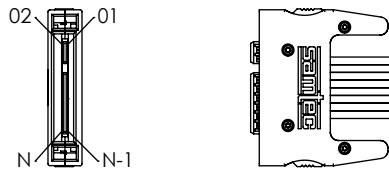
-RS2
-008 & -016



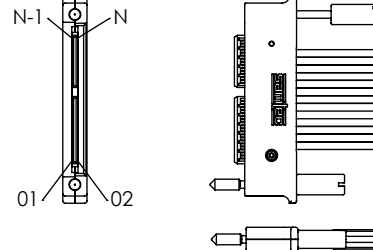
-LV1
-008 & -016



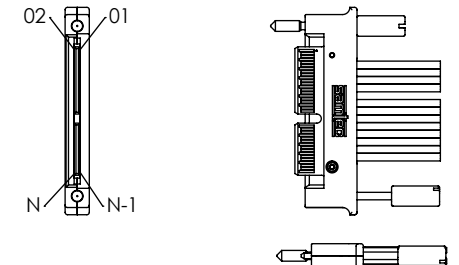
-LV2
-008 & -016



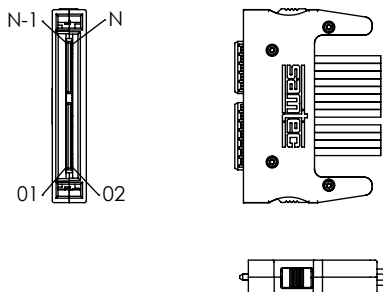
-024 & -032



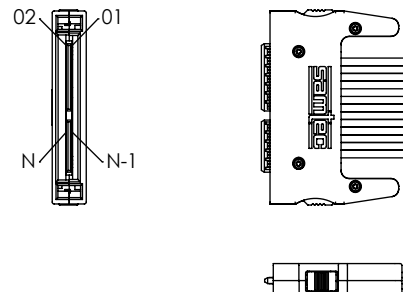
-024 & -032



-024 & -032



-024 & -032



PROPRIETARY NOTE

THIS DOCUMENT CONTAINS INFORMATION CONFIDENTIAL AND PROPRIETARY TO SAMTEC, INC. AND SHALL NOT BE REPRODUCED OR TRANSFERRED TO OTHER DOCUMENTS OR DISCLOSED TO OTHERS OR USED FOR ANY PURPOSE OTHER THAN THAT WHICH IT WAS OBTAINED WITHOUT THE EXPRESSED WRITTEN CONSENT OF SAMTEC, INC.

DO NOT SCALE DRAWING

SHEET SCALE: 1:2



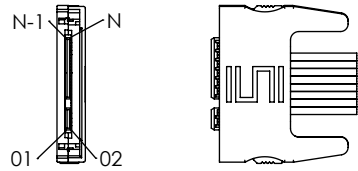
520 PARK EAST BLVD, NEW ALBANY, IN 47150
PHONE: 812-944-6733 FAX: 812-948-5047
e-Mail: info@SAMTEC.com code 55322

DESCRIPTION:
TWIN-AX EDGE CARD CABLE ASSEMBLY

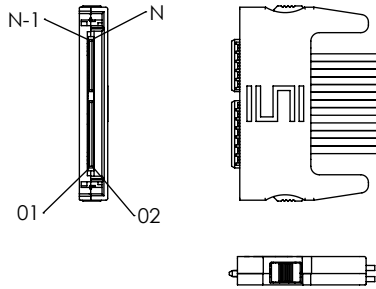
DWG. NO.
EEDP-XXX-XX.XX-XXX-XXX-X

BY: BRATCHER 09/25/2003 SHEET 2 OF 9

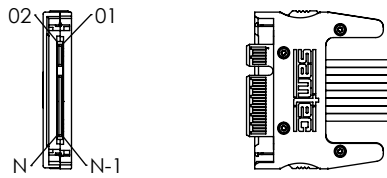
R -RL1
-008 & -016



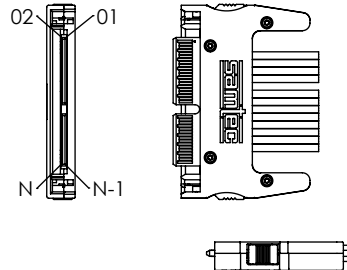
-024 & -032



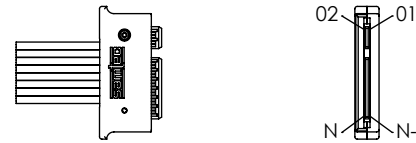
R -RL2
-008 & -016



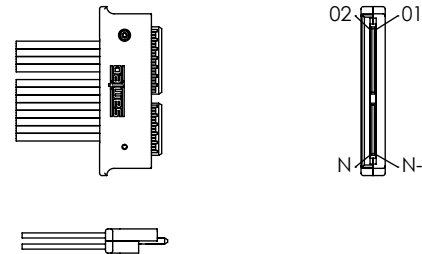
-024 & -032



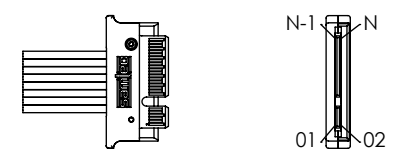
R -RA1
-008 & -016



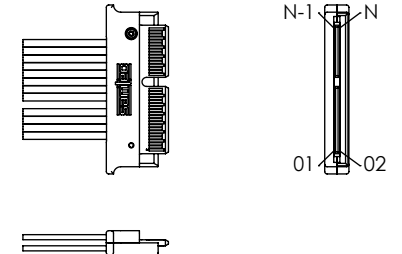
-024 & -032



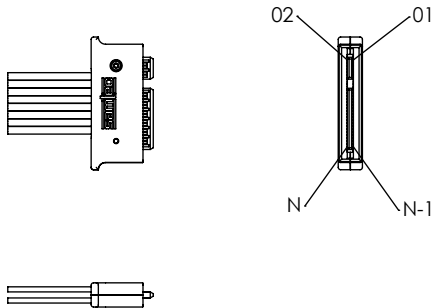
R -RA2
-008 & -016



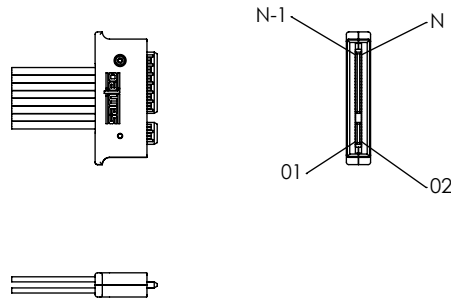
-024 & -032



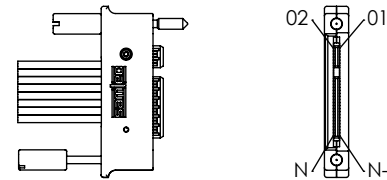
-DV1



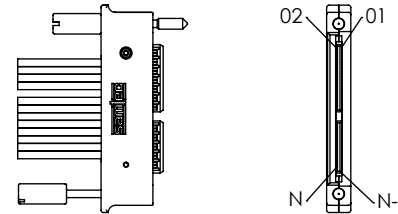
-DV2



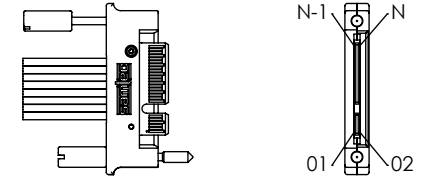
R -RS1
-008 & -016



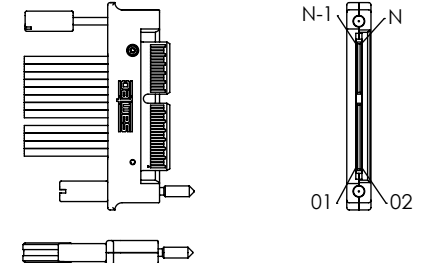
-024 & -032



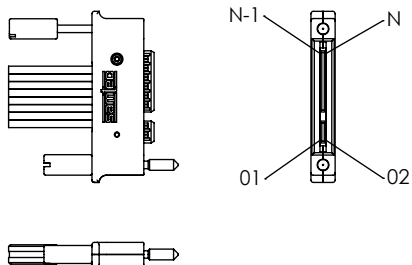
R -RS2
-008 & -016



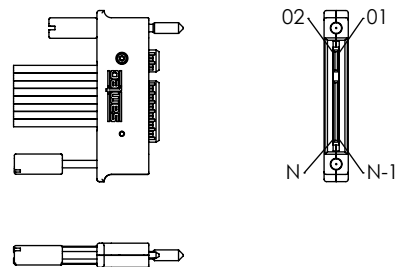
-024 & -032



-DS2



-DS1



PROPRIETARY NOTE

THIS DOCUMENT CONTAINS INFORMATION CONFIDENTIAL AND PROPRIETARY TO SAMTEC, INC. AND SHALL NOT BE REPRODUCED OR TRANSFERRED TO OTHER DOCUMENTS OR DISCLOSED TO OTHERS OR USED FOR ANY PURPOSE OTHER THAN THAT WHICH IT WAS OBTAINED WITHOUT THE EXPRESSED WRITTEN CONSENT OF SAMTEC, INC.

DO NOT SCALE DRAWING

SHEET SCALE: 1:2



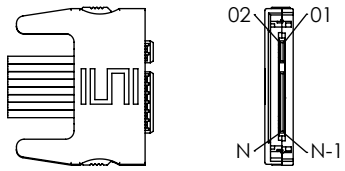
520 PARK EAST BLVD, NEW ALBANY, IN 47150
PHONE: 812-944-6733 FAX: 812-948-5047
e-Mail: info@SAMTEC.com code 55322

DESCRIPTION:
TWIN-AX EDGE CARD CABLE ASSEMBLY

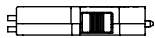
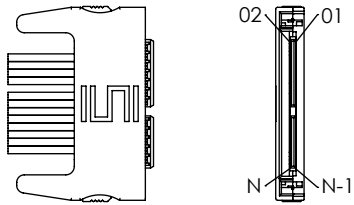
DWG. NO.
EEDP-XXX-XX.XX-XXX-XXX-X

BY: BRATCHER 09/25/2003 SHEET 3 OF 9

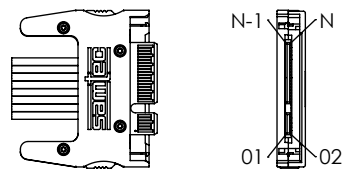
R -RL1
-008 & -016



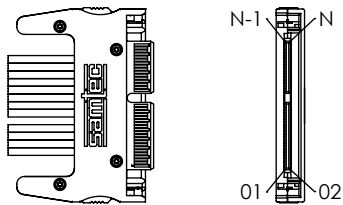
-024 & -032



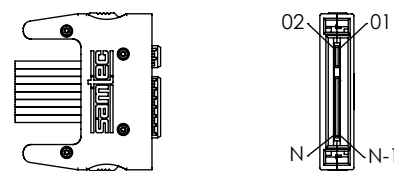
R -RL2
-008 & -016



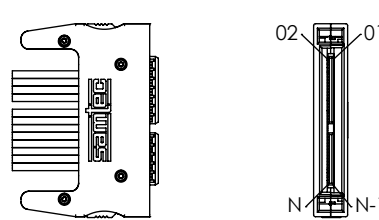
-024 & -032



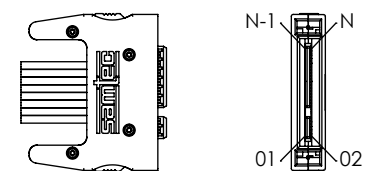
R -LV1
-008 & -016



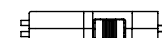
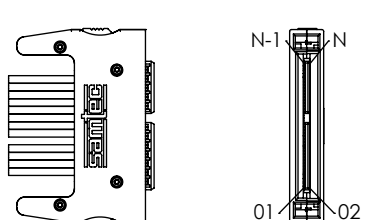
-024 & -032



R -LV2
-008 & -016



-024 & -032



PROPRIETARY NOTE

THIS DOCUMENT CONTAINS INFORMATION CONFIDENTIAL AND PROPRIETARY TO SAMTEC, INC. AND SHALL NOT BE REPRODUCED OR TRANSFERRED TO OTHER DOCUMENTS OR DISCLOSED TO OTHERS OR USED FOR ANY PURPOSE OTHER THAN THAT WHICH IT WAS OBTAINED WITHOUT THE EXPRESSED WRITTEN CONSENT OF SAMTEC, INC.

DO NOT SCALE DRAWING

SHEET SCALE: 1:2



520 PARK EAST BLVD, NEW ALBANY, IN 47150
PHONE: 812-944-6733 FAX: 812-948-5047
e-Mail info@SAMTEC.com code 55322

DESCRIPTION:
TWIN-AX EDGE CARD CABLE ASSEMBLY

DWG. NO.
EEDP-XXX-XX.XX-XXX-XXX-X

BY: BRATCHER 09/25/2003 SHEET 4 OF 9

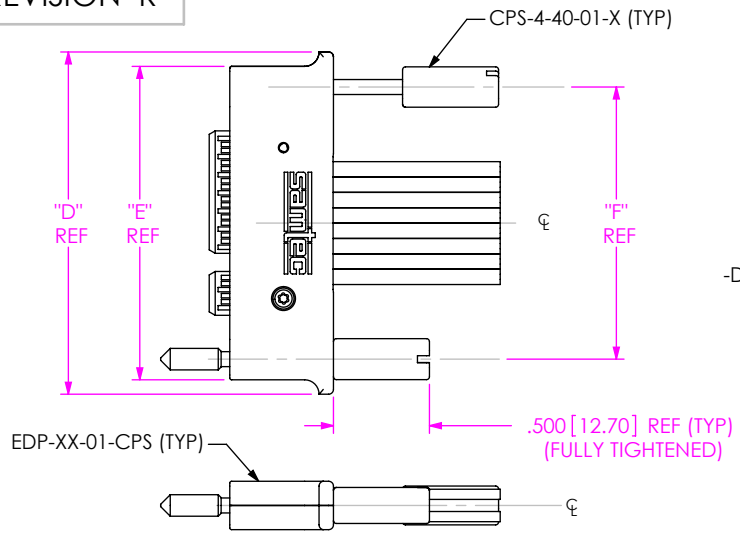
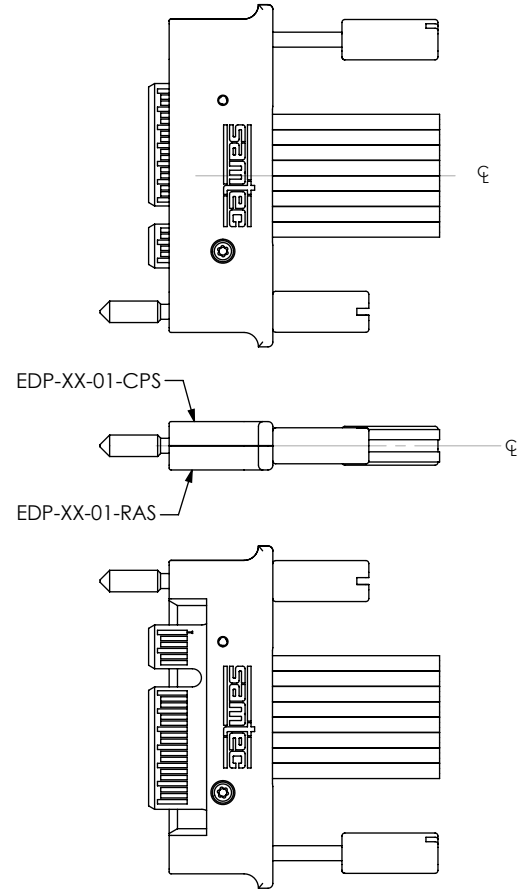


TABLE 4 (FOR USE WITH FIG. 2 & FIG. 3)

No. OF PAIRS	"D"	"E"	"F"	EDP-XX-01-CPS	EDP-XX-01-RAS
-008	1.365 [34.67]	1.215 [30.86]	1.024 [26.00]	EDP-08-01-CPS	EDP-08-01-RAS
-016	1.782 [45.26]	1.632 [41.45]	1.417 [36.00]	EDP-16-01-CPS	EDP-16-01-RAS
-024	2.160 [54.86]	2.010 [51.05]	1.772 [45.00]	EDP-24-01-CPS	EDP-24-01-RAS
-032	2.499 [63.47]	2.349 [59.66]	2.126 [54.00]	EDP-32-01-CPS	EDP-32-01-RAS

FIG 2
 -DSX: DOUBLE VERTICAL WITH CAPTIVE PANEL SCREWS
 (EEDP-016-XX.XX-X-DS1-XXX SHOWN)
 (SAME AS FIG 1, UNLESS OTHERWISE STATED)

FIG 3
 -RSX: RIGHT ANGLE WITH CAPTIVE PANEL SCREWS
 (EEDP-016-XX.XX-X-RS1-XXX SHOWN)
 (SAME AS FIG 2, UNLESS OTHERWISE STATED)



F:\DWG\MISC\MKTG\EEDP-XXX-XX.XX-XXX-XXX-X.MLT.DDDRW

TABLE 3 (FOR -008, -016 & -032 ONLY)
 (SECOND END OPTION (SUB-PCB-0453-EEDP-XXX-EC-X)
 (SEE NOTE 7)

FIRST END OPTION	FIRST END SUB-PCB-0453-EEDP-XXX-EC-X (SEE NOTE 7)	WIRING OPT'D N	FIRST END PIN #	SECOND END PIN #	-DV1	-DV2	-DS1	-DS2	-RA1	-RA2	-RS1	-RS2	*LV1	*LV2	*RL1	*RL2			
-DV1	-XXX-EC-S	1	1	1	N/A	-XXX-EC-C	N/A	-XXX-EC-C	N/A	-XXX-EC-C	N/A	-XXX-EC-C	N/A	-XXX-EC-C	N/A	-XXX-EC-C	N/A		
		2	1	2	N/A	-XXX-EC-S	N/A	-XXX-EC-S	N/A	-XXX-EC-S	N/A	-XXX-EC-S	N/A	-XXX-EC-S	N/A	-XXX-EC-S	N/A		
		3	1	N-1	-XXX-EC-S	N/A	-XXX-EC-S	N/A	-XXX-EC-S	N/A	-XXX-EC-S	N/A	-XXX-EC-S	N/A	-XXX-EC-S	N/A	-XXX-EC-S	N/A	
		4	1	N	-XXX-EC-C	N/A	-XXX-EC-C	N/A	-XXX-EC-C	N/A	-XXX-EC-C	N/A	-XXX-EC-C	N/A	-XXX-EC-C	N/A	-XXX-EC-C	N/A	
-DV2	-XXX-EC-S	1	1	1	-XXX-EC-C	N/A	-XXX-EC-C	N/A	-XXX-EC-C	N/A	-XXX-EC-C	N/A	-XXX-EC-C	N/A	-XXX-EC-C	N/A	-XXX-EC-C	N/A	
		2	1	2	-XXX-EC-S	N/A	-XXX-EC-S	N/A	-XXX-EC-S	N/A	-XXX-EC-S	N/A	-XXX-EC-S	N/A	-XXX-EC-S	N/A	-XXX-EC-S	N/A	
		3	1	N-1	N/A	-XXX-EC-S	N/A	-XXX-EC-S	N/A	-XXX-EC-S	N/A	-XXX-EC-S	N/A	-XXX-EC-S	N/A	-XXX-EC-S	N/A	-XXX-EC-S	N/A
		4	1	N	N/A	-XXX-EC-C	N/A	-XXX-EC-C	N/A	-XXX-EC-C	N/A	-XXX-EC-C	N/A	-XXX-EC-C	N/A	-XXX-EC-C	N/A	-XXX-EC-C	N/A
-DS1	-XXX-EC-S	1	1	1	N/A	-XXX-EC-C	N/A	-XXX-EC-C	N/A	-XXX-EC-C	N/A	-XXX-EC-C	N/A	-XXX-EC-C	N/A	-XXX-EC-C	N/A		
		2	1	2	N/A	-XXX-EC-S	N/A	-XXX-EC-S	N/A	-XXX-EC-S	N/A	-XXX-EC-S	N/A	-XXX-EC-S	N/A	-XXX-EC-S	N/A		
		3	1	N-1	-XXX-EC-S	N/A	-XXX-EC-S	N/A	-XXX-EC-S	N/A	-XXX-EC-S	N/A	-XXX-EC-S	N/A	-XXX-EC-S	N/A	-XXX-EC-S	N/A	
		4	1	N	-XXX-EC-C	N/A	-XXX-EC-C	N/A	-XXX-EC-C	N/A	-XXX-EC-C	N/A	-XXX-EC-C	N/A	-XXX-EC-C	N/A	-XXX-EC-C	N/A	
-DS2	-XXX-EC-S	1	1	1	-XXX-EC-C	N/A	-XXX-EC-C	N/A	-XXX-EC-C	N/A	-XXX-EC-C	N/A	-XXX-EC-C	N/A	-XXX-EC-C	N/A	-XXX-EC-C	N/A	
		2	1	2	-XXX-EC-S	N/A	-XXX-EC-S	N/A	-XXX-EC-S	N/A	-XXX-EC-S	N/A	-XXX-EC-S	N/A	-XXX-EC-S	N/A	-XXX-EC-S	N/A	
		3	1	N-1	N/A	-XXX-EC-S	N/A	-XXX-EC-S	N/A	-XXX-EC-S	N/A	-XXX-EC-S	N/A	-XXX-EC-S	N/A	-XXX-EC-S	N/A	-XXX-EC-S	N/A
		4	1	N	N/A	-XXX-EC-C	N/A	-XXX-EC-C	N/A	-XXX-EC-C	N/A	-XXX-EC-C	N/A	-XXX-EC-C	N/A	-XXX-EC-C	N/A	-XXX-EC-C	N/A
-RA1	-XXX-EC-S	1	1	1	N/A	-XXX-EC-C	N/A	-XXX-EC-C	N/A	-XXX-EC-C	N/A	-XXX-EC-C	N/A	-XXX-EC-C	N/A	-XXX-EC-C	N/A		
		2	1	2	N/A	-XXX-EC-S	N/A	-XXX-EC-S	N/A	-XXX-EC-S	N/A	-XXX-EC-S	N/A	-XXX-EC-S	N/A	-XXX-EC-S	N/A		
		3	1	N-1	-XXX-EC-S	N/A	-XXX-EC-S	N/A	-XXX-EC-S	N/A	-XXX-EC-S	N/A	-XXX-EC-S	N/A	-XXX-EC-S	N/A	-XXX-EC-S	N/A	
		4	1	N	-XXX-EC-C	N/A	-XXX-EC-C	N/A	-XXX-EC-C	N/A	-XXX-EC-C	N/A	-XXX-EC-C	N/A	-XXX-EC-C	N/A	-XXX-EC-C	N/A	
-RA2	-XXX-EC-S	1	1	1	-XXX-EC-C	N/A	-XXX-EC-C	N/A	-XXX-EC-C	N/A	-XXX-EC-C	N/A	-XXX-EC-C	N/A	-XXX-EC-C	N/A	-XXX-EC-C	N/A	
		2	1	2	-XXX-EC-S	N/A	-XXX-EC-S	N/A	-XXX-EC-S	N/A	-XXX-EC-S	N/A	-XXX-EC-S	N/A	-XXX-EC-S	N/A	-XXX-EC-S	N/A	
		3	1	N-1	N/A	-XXX-EC-S	N/A	-XXX-EC-S	N/A	-XXX-EC-S	N/A	-XXX-EC-S	N/A	-XXX-EC-S	N/A	-XXX-EC-S	N/A	-XXX-EC-S	N/A
		4	1	N	N/A	-XXX-EC-C	N/A	-XXX-EC-C	N/A	-XXX-EC-C	N/A	-XXX-EC-C	N/A	-XXX-EC-C	N/A	-XXX-EC-C	N/A	-XXX-EC-C	N/A
-RS1	-XXX-EC-S	1	1	1	N/A	-XXX-EC-C	N/A	-XXX-EC-C	N/A	-XXX-EC-C	N/A	-XXX-EC-C	N/A	-XXX-EC-C	N/A	-XXX-EC-C	N/A		
		2	1	2	N/A	-XXX-EC-S	N/A	-XXX-EC-S	N/A	-XXX-EC-S	N/A	-XXX-EC-S	N/A	-XXX-EC-S	N/A	-XXX-EC-S	N/A		
		3	1	N-1	-XXX-EC-S	N/A	-XXX-EC-S	N/A	-XXX-EC-S	N/A	-XXX-EC-S	N/A	-XXX-EC-S	N/A	-XXX-EC-S	N/A	-XXX-EC-S	N/A	
		4	1	N	-XXX-EC-C	N/A	-XXX-EC-C	N/A	-XXX-EC-C	N/A	-XXX-EC-C	N/A	-XXX-EC-C	N/A	-XXX-EC-C	N/A	-XXX-EC-C	N/A	
-RS2	-XXX-EC-S	1	1	1	-XXX-EC-C	N/A	-XXX-EC-C	N/A	-XXX-EC-C	N/A	-XXX-EC-C	N/A	-XXX-EC-C	N/A	-XXX-EC-C	N/A	-XXX-EC-C	N/A	
		2	1	2	-XXX-EC-S	N/A	-XXX-EC-S	N/A	-XXX-EC-S	N/A	-XXX-EC-S	N/A	-XXX-EC-S	N/A	-XXX-EC-S	N/A	-XXX-EC-S	N/A	
		3	1	N-1	N/A	-XXX-EC-S	N/A	-XXX-EC-S	N/A	-XXX-EC-S	N/A	-XXX-EC-S	N/A	-XXX-EC-S	N/A	-XXX-EC-S	N/A	-XXX-EC-S	N/A
		4	1	N	N/A	-XXX-EC-C	N/A	-XXX-EC-C	N/A	-XXX-EC-C	N/A	-XXX-EC-C	N/A	-XXX-EC-C	N/A	-XXX-EC-C	N/A	-XXX-EC-C	N/A
-LV1	-XXX-EC-S	1	1	1	N/A	-XXX-EC-C	N/A	-XXX-EC-C	N/A	-XXX-EC-C	N/A	-XXX-EC-C	N/A	-XXX-EC-C	N/A	-XXX-EC-C	N/A		
		2	1	2	N/A	-XXX-EC-S	N/A	-XXX-EC-S	N/A	-XXX-EC-S	N/A	-XXX-EC-S	N/A	-XXX-EC-S	N/A	-XXX-EC-S	N/A		
		3	1	N-1	-XXX-EC-S	N/A	-XXX-EC-S	N/A	-XXX-EC-S	N/A	-XXX-EC-S	N/A	-XXX-EC-S	N/A	-XXX-EC-S	N/A	-XXX-EC-S	N/A	
		4	1	N	-XXX-EC-C	N/A	-XXX-EC-C	N/A	-XXX-EC-C	N/A	-XXX-EC-C	N/A	-XXX-EC-C	N/A	-XXX-EC-C	N/A	-XXX-EC-C	N/A	
-LV2	-XXX-EC-S	1	1	1	-XXX-EC-C	N/A	-XXX-EC-C	N/A	-XXX-EC-C	N/A	-XXX-EC-C	N/A	-XXX-EC-C	N/A	-XXX-EC-C	N/A	-XXX-EC-C	N/A	
		2	1	2	-XXX-EC-S	N/A	-XXX-EC-S	N/A	-XXX-EC-S	N/A	-XXX-EC-S	N/A	-XXX-EC-S	N/A	-XXX-EC-S	N/A	-XXX-EC-S	N/A	
		3	1	N-1	N/A	-XXX-EC-S	N/A	-XXX-EC-S	N/A	-XXX-EC-S	N/A	-XXX-EC-S	N/A	-XXX-EC-S	N/A	-XXX-EC-S	N/A	-XXX-EC-S	N/A
		4	1	N	N/A	-XXX-EC-C	N/A	-XXX-EC-C	N/A	-XXX-EC-C	N/A	-XXX-EC-C	N/A	-XXX-EC-C	N/A	-XXX-EC-C	N/A	-XXX-EC-C	N/A
-RL1	-XXX-EC-S	1	1	1	N/A	-XXX-EC-C	N/A	-XXX-EC-C	N/A	-XXX-EC-C	N/A	-XXX-EC-C	N/A	-XXX-EC-C	N/A	-XXX-EC-C	N/A		
		2	1	2	N/A	-XXX-EC-S	N/A	-XXX-EC-S	N/A	-XXX-EC-S	N/A	-XXX-EC-S	N/A	-XXX-EC-S	N/A	-XXX-EC-S	N/A		
		3	1	N-1	-XXX-EC-S	N/A	-XXX-EC-S	N/A	-XXX-EC-S	N/A	-XXX-EC-S	N/A	-XXX-EC-S	N/A	-XXX-EC-S	N/A	-XXX-EC-S	N/A	
		4	1	N	-XXX-EC-C	N/A	-XXX-EC-C	N/A	-XXX-EC-C	N/A	-XXX-EC-C	N/A	-XXX-EC-C	N/A	-XXX-EC-C	N/A	-XXX-EC-C	N/A	
-RL2	-XXX-EC-S	1	1	1	-XXX-EC-C	N/A	-XXX-EC-C	N/A	-XXX-EC-C	N/A	-XXX-EC-C	N/A	-XXX-EC-C	N/A	-XXX-EC-C	N/A	-XXX-EC-C	N/A	
		2	1	2	-XXX-EC-S	N/A	-XXX-EC-S	N/A	-XXX-EC-S	N/A	-XXX-EC-S	N/A	-XXX-EC-S	N/A	-XXX-EC-S	N/A	-XXX-EC-S	N/A	
		3	1	N-1	N/A	-XXX-EC-S	N/A	-XXX-EC-S	N/A	-XXX-EC-S	N/A	-XXX-EC-S	N/A	-XXX-EC-S	N/A	-XXX-EC-S	N/A	-XXX-EC-S	N/A
		4	1	N	N/A	-XXX-EC-C	N/A	-XXX-EC-C	N/A	-XXX-EC-C	N/A	-XXX-EC-C	N/A	-XXX-EC-C	N/A	-XXX-EC-C	N/A	-XXX-EC-C	N/A

PROPRIETARY NOTE

THIS DOCUMENT CONTAINS INFORMATION CONFIDENTIAL AND PROPRIETARY TO SAMTEC, INC. AND SHALL NOT BE REPRODUCED OR TRANSFERRED TO OTHER DOCUMENTS OR DISCLOSED TO OTHERS OR USED FOR ANY PURPOSE OTHER THAN THAT WHICH IT WAS OBTAINED WITHOUT THE EXPRESSED WRITTEN CONSENT OF SAMTEC, INC.

DO NOT SCALE DRAWING

SHEET SCALE: 1:1



520 PARK EAST BLVD, NEW ALBANY, IN 47150
 PHONE: 812-944-6733 FAX: 812-948-5047
 e-Mail: info@SAMTEC.com code 55322

DESCRIPTION:
 TWIN-AX EDGE CARD CABLE ASSEMBLY

DWG. NO.
EEDP-XXX-XX.XX-XXX-XXX-X

BY: BRATCHER 09/25/2003 SHEET 5 OF 9

FIG 4
-024 PAIRS
EEDP-024-XX.XX-2-DV1-RA2 SHOWN
(SAME AS FIG 1, UNLESS OTHERWISE STATED)

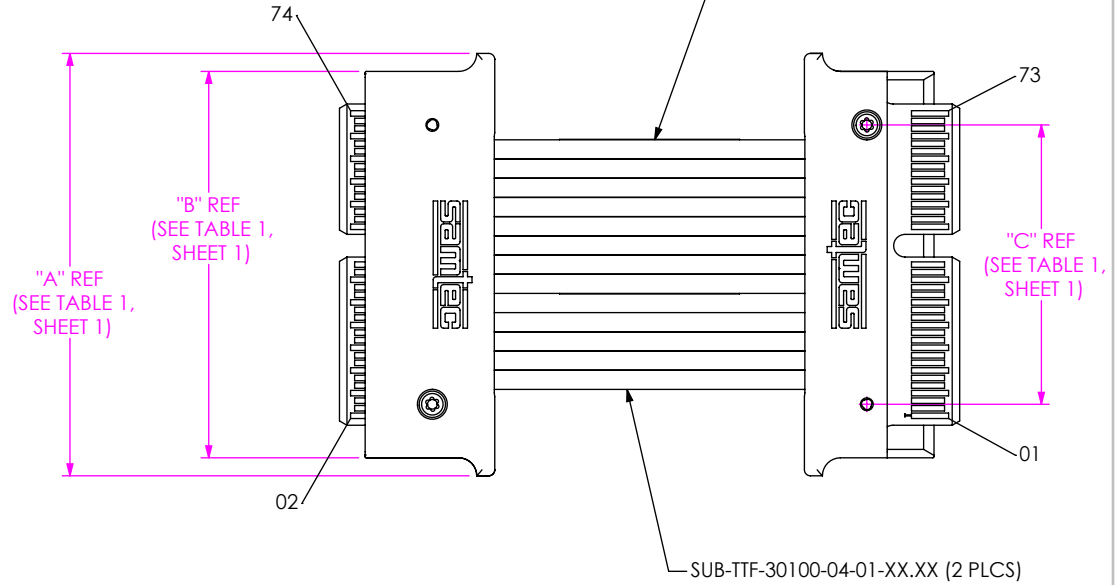
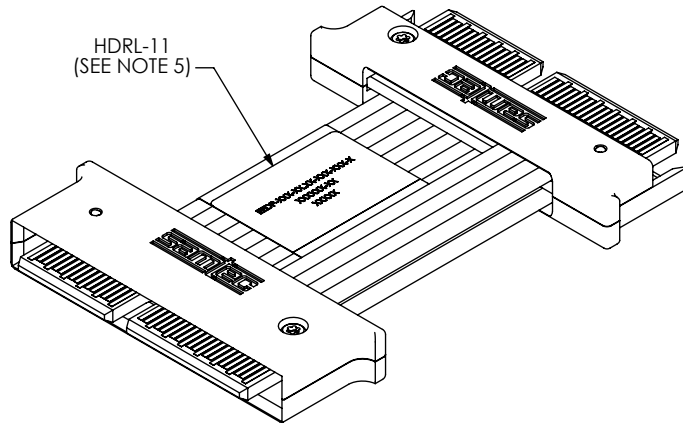
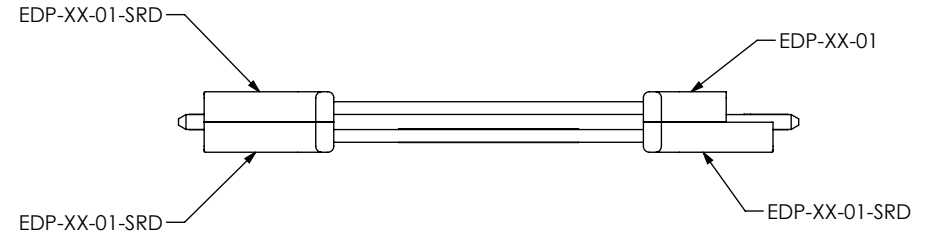


TABLE 5 (FOR -24 ONLY)

FIRST END OPTION	FIRST END SUB-PCB-0453-EEDP-XXX-EC-XX (SEE NOTE 7)	WIRING OPTION	FIRST END PIN #	SECOND END PIN #	SECOND END OPTION (SUB-PCB-0453-EEDP-XXX-EC-XX) (SEE NOTE 7)															
					-DV1	-DV2	-DS1	-DS2	-RA1	-RA2	-RS1	-RS2	*LV1	*LV2	*RL1	*RL2				
-DV1	-XXX-EC-S	1	1	1	N/A	-XXX-EC-C	N/A	-XXX-EC-C	N/A	-XXX-EC-C	N/A	-XXX-EC-C	N/A	-XXX-EC-C	N/A	-XXX-EC-C	N/A	-XXX-EC-C	N/A	
		2	1	2	N/A	-XXX-EC-S	N/A	-XXX-EC-S	N/A	-XXX-EC-S	N/A	-XXX-EC-S	N/A	-XXX-EC-S	N/A	-XXX-EC-S	N/A	-XXX-EC-S	N/A	
		3	1	N-1	N/A	N/A	N/A	N/A	N/A	N/A	N/A	N/A	N/A	N/A	N/A	N/A	N/A	N/A	N/A	
		4	1	N	N/A	N/A	N/A	N/A	N/A	N/A	N/A	N/A	N/A	N/A	N/A	N/A	N/A	N/A	N/A	
-DV2	-XXX-EC-S	1	1	1	-XXX-EC-C	N/A	-XXX-EC-C	N/A	-XXX-EC-C	N/A	-XXX-EC-C	N/A	-XXX-EC-C	N/A	-XXX-EC-C	N/A	-XXX-EC-C	N/A	N/A	
		2	1	2	-XXX-EC-S	N/A	-XXX-EC-S	N/A	-XXX-EC-S	N/A	-XXX-EC-S	N/A	-XXX-EC-S	N/A	-XXX-EC-S	N/A	-XXX-EC-S	N/A	N/A	
		3	1	N-1	N/A	N/A	N/A	N/A	N/A	N/A	N/A	N/A	N/A	N/A	N/A	N/A	N/A	N/A	N/A	
		4	1	N	N/A	N/A	N/A	N/A	N/A	N/A	N/A	N/A	N/A	N/A	N/A	N/A	N/A	N/A	N/A	
-DS1	-XXX-EC-S	1	1	1	N/A	-XXX-EC-C	N/A	-XXX-EC-C	N/A	-XXX-EC-C	N/A	-XXX-EC-C	N/A	-XXX-EC-C	N/A	-XXX-EC-C	N/A	-XXX-EC-C	N/A	
		2	1	2	N/A	-XXX-EC-S	N/A	-XXX-EC-S	N/A	-XXX-EC-S	N/A	-XXX-EC-S	N/A	-XXX-EC-S	N/A	-XXX-EC-S	N/A	-XXX-EC-S	N/A	
		3	1	N-1	N/A	N/A	N/A	N/A	N/A	N/A	N/A	N/A	N/A	N/A	N/A	N/A	N/A	N/A	N/A	
		4	1	N	N/A	N/A	N/A	N/A	N/A	N/A	N/A	N/A	N/A	N/A	N/A	N/A	N/A	N/A	N/A	
-DS2	-XXX-EC-S	1	1	1	-XXX-EC-C	N/A	-XXX-EC-C	N/A	-XXX-EC-C	N/A	-XXX-EC-C	N/A	-XXX-EC-C	N/A	-XXX-EC-C	N/A	-XXX-EC-C	N/A	N/A	
		2	1	2	-XXX-EC-S	N/A	-XXX-EC-S	N/A	-XXX-EC-S	N/A	-XXX-EC-S	N/A	-XXX-EC-S	N/A	-XXX-EC-S	N/A	-XXX-EC-S	N/A	N/A	
		3	1	N-1	N/A	N/A	N/A	N/A	N/A	N/A	N/A	N/A	N/A	N/A	N/A	N/A	N/A	N/A	N/A	
		4	1	N	N/A	N/A	N/A	N/A	N/A	N/A	N/A	N/A	N/A	N/A	N/A	N/A	N/A	N/A	N/A	
-RA1	-XXX-EC-S	1	1	1	N/A	-XXX-EC-C	N/A	-XXX-EC-C	N/A	-XXX-EC-C	N/A	-XXX-EC-C	N/A	-XXX-EC-C	N/A	-XXX-EC-C	N/A	-XXX-EC-C	N/A	
		2	1	2	N/A	-XXX-EC-S	N/A	-XXX-EC-S	N/A	-XXX-EC-S	N/A	-XXX-EC-S	N/A	-XXX-EC-S	N/A	-XXX-EC-S	N/A	-XXX-EC-S	N/A	
		3	1	N-1	N/A	N/A	N/A	N/A	N/A	N/A	N/A	N/A	N/A	N/A	N/A	N/A	N/A	N/A	N/A	
		4	1	N	N/A	N/A	N/A	N/A	N/A	N/A	N/A	N/A	N/A	N/A	N/A	N/A	N/A	N/A	N/A	
-RA2	-XXX-EC-S	1	1	1	-XXX-EC-C	N/A	-XXX-EC-C	N/A	-XXX-EC-C	N/A	-XXX-EC-C	N/A	-XXX-EC-C	N/A	-XXX-EC-C	N/A	-XXX-EC-C	N/A	N/A	
		2	1	2	-XXX-EC-S	N/A	-XXX-EC-S	N/A	-XXX-EC-S	N/A	-XXX-EC-S	N/A	-XXX-EC-S	N/A	-XXX-EC-S	N/A	-XXX-EC-S	N/A	N/A	
		3	1	N-1	N/A	N/A	N/A	N/A	N/A	N/A	N/A	N/A	N/A	N/A	N/A	N/A	N/A	N/A	N/A	
		4	1	N	N/A	N/A	N/A	N/A	N/A	N/A	N/A	N/A	N/A	N/A	N/A	N/A	N/A	N/A	N/A	
-RS1	-XXX-EC-S	1	1	1	N/A	-XXX-EC-C	N/A	-XXX-EC-C	N/A	-XXX-EC-C	N/A	-XXX-EC-C	N/A	-XXX-EC-C	N/A	-XXX-EC-C	N/A	-XXX-EC-C	N/A	
		2	1	2	N/A	-XXX-EC-S	N/A	-XXX-EC-S	N/A	-XXX-EC-S	N/A	-XXX-EC-S	N/A	-XXX-EC-S	N/A	-XXX-EC-S	N/A	-XXX-EC-S	N/A	
		3	1	N-1	N/A	N/A	N/A	N/A	N/A	N/A	N/A	N/A	N/A	N/A	N/A	N/A	N/A	N/A	N/A	
		4	1	N	N/A	N/A	N/A	N/A	N/A	N/A	N/A	N/A	N/A	N/A	N/A	N/A	N/A	N/A	N/A	
-RS2	-XXX-EC-S	1	1	1	-XXX-EC-C	N/A	-XXX-EC-C	N/A	-XXX-EC-C	N/A	-XXX-EC-C	N/A	-XXX-EC-C	N/A	-XXX-EC-C	N/A	-XXX-EC-C	N/A	N/A	
		2	1	2	-XXX-EC-S	N/A	-XXX-EC-S	N/A	-XXX-EC-S	N/A	-XXX-EC-S	N/A	-XXX-EC-S	N/A	-XXX-EC-S	N/A	-XXX-EC-S	N/A	N/A	
		3	1	N-1	N/A	N/A	N/A	N/A	N/A	N/A	N/A	N/A	N/A	N/A	N/A	N/A	N/A	N/A	N/A	
		4	1	N	N/A	N/A	N/A	N/A	N/A	N/A	N/A	N/A	N/A	N/A	N/A	N/A	N/A	N/A	N/A	
-LV1	-XXX-EC-S	1	1	1	N/A	-XXX-EC-C	N/A	-XXX-EC-C	N/A	-XXX-EC-C	N/A	-XXX-EC-C	N/A	-XXX-EC-C	N/A	-XXX-EC-C	N/A	-XXX-EC-C	N/A	
		2	1	2	N/A	-XXX-EC-S	N/A	-XXX-EC-S	N/A	-XXX-EC-S	N/A	-XXX-EC-S	N/A	-XXX-EC-S	N/A	-XXX-EC-S	N/A	-XXX-EC-S	N/A	
		3	1	N-1	N/A	N/A	N/A	N/A	N/A	N/A	N/A	N/A	N/A	N/A	N/A	N/A	N/A	N/A	N/A	
		4	1	N	N/A	N/A	N/A	N/A	N/A	N/A	N/A	N/A	N/A	N/A	N/A	N/A	N/A	N/A	N/A	
-LV2	-XXX-EC-S	1	1	1	-XXX-EC-C	N/A	-XXX-EC-C	N/A	-XXX-EC-C	N/A	-XXX-EC-C	N/A	-XXX-EC-C	N/A	-XXX-EC-C	N/A	-XXX-EC-C	N/A	N/A	
		2	1	2	-XXX-EC-S	N/A	-XXX-EC-S	N/A	-XXX-EC-S	N/A	-XXX-EC-S	N/A	-XXX-EC-S	N/A	-XXX-EC-S	N/A	-XXX-EC-S	N/A	N/A	
		3	1	N-1	N/A	N/A	N/A	N/A	N/A	N/A	N/A	N/A	N/A	N/A	N/A	N/A	N/A	N/A	N/A	
		4	1	N	N/A	N/A	N/A	N/A	N/A	N/A	N/A	N/A	N/A	N/A	N/A	N/A	N/A	N/A	N/A	
-RL1	-XXX-EC-S	1	1	1	N/A	-XXX-EC-C	N/A	-XXX-EC-C	N/A	-XXX-EC-C	N/A	-XXX-EC-C	N/A	-XXX-EC-C	N/A	-XXX-EC-C	N/A	-XXX-EC-C	N/A	
		2	1	2	N/A	-XXX-EC-S	N/A	-XXX-EC-S	N/A	-XXX-EC-S	N/A	-XXX-EC-S	N/A	-XXX-EC-S	N/A	-XXX-EC-S	N/A	-XXX-EC-S	N/A	
		3	1	N-1	N/A	N/A	N/A	N/A	N/A	N/A	N/A	N/A	N/A	N/A	N/A	N/A	N/A	N/A	N/A	
		4	1	N	N/A	N/A	N/A	N/A	N/A	N/A	N/A	N/A	N/A	N/A	N/A	N/A	N/A	N/A	N/A	
-RL2	-XXX-EC-S	1	1	1	-XXX-EC-C	N/A	-XXX-EC-C	N/A	-XXX-EC-C	N/A	-XXX-EC-C	N/A	-XXX-EC-C	N/A	-XXX-EC-C	N/A	-XXX-EC-C	N/A	N/A	
		2	1	2	-XXX-EC-S	N/A	-XXX-EC-S	N/A	-XXX-EC-S	N/A	-XXX-EC-S	N/A	-XXX-EC-S	N/A	-XXX-EC-S	N/A	-XXX-EC-S	N/A	N/A	
		3	1	N-1	N/A	N/A	N/A	N/A	N/A	N/A	N/A	N/A	N/A	N/A	N/A	N/A	N/A	N/A	N/A	
		4	1	N	N/A	N/A	N/A	N/A	N/A	N/A	N/A	N/A	N/A	N/A	N/A	N/A	N/A	N/A	N/A	



F:\DVG\MISC\MKTG\EEDP-XXX-XX-XXX-XXX-X-MKT.SLDDRW

PROPRIETARY NOTE
THIS DOCUMENT CONTAINS INFORMATION CONFIDENTIAL AND PROPRIETARY TO SAMTEC, INC. AND SHALL NOT BE REPRODUCED OR TRANSFERRED TO OTHER DOCUMENTS OR DISCLOSED TO OTHERS OR USED FOR ANY PURPOSE OTHER THAN THAT WHICH IT WAS OBTAINED WITHOUT THE EXPRESSED WRITTEN CONSENT OF SAMTEC, INC.



520 PARK EAST BLVD. NEW ALBANY, IN 47150
PHONE: 812-944-6733 FAX: 812-948-5047
e-Mail info@SAMTEC.com code 5332

DO NOT SCALE DRAWING

SHEET SCALE: 1.25:1

DESCRIPTION:
TWIN-AX EDGE CARD CABLE ASSEMBLY

DWG. NO.
EEDP-XXX-XX.XX-XXX-XXX-X

BY: BRATCHER 09/25/2003 SHEET 6 OF 9

FIG 5
 -LVX: DOUBLE VERTICAL WITH LATCHES
 (EEDP-016-XX.XX-X-LV2-XXX SHOWN)
 (SAME AS FIG 1, UNLESS OTHERWISE STATED)

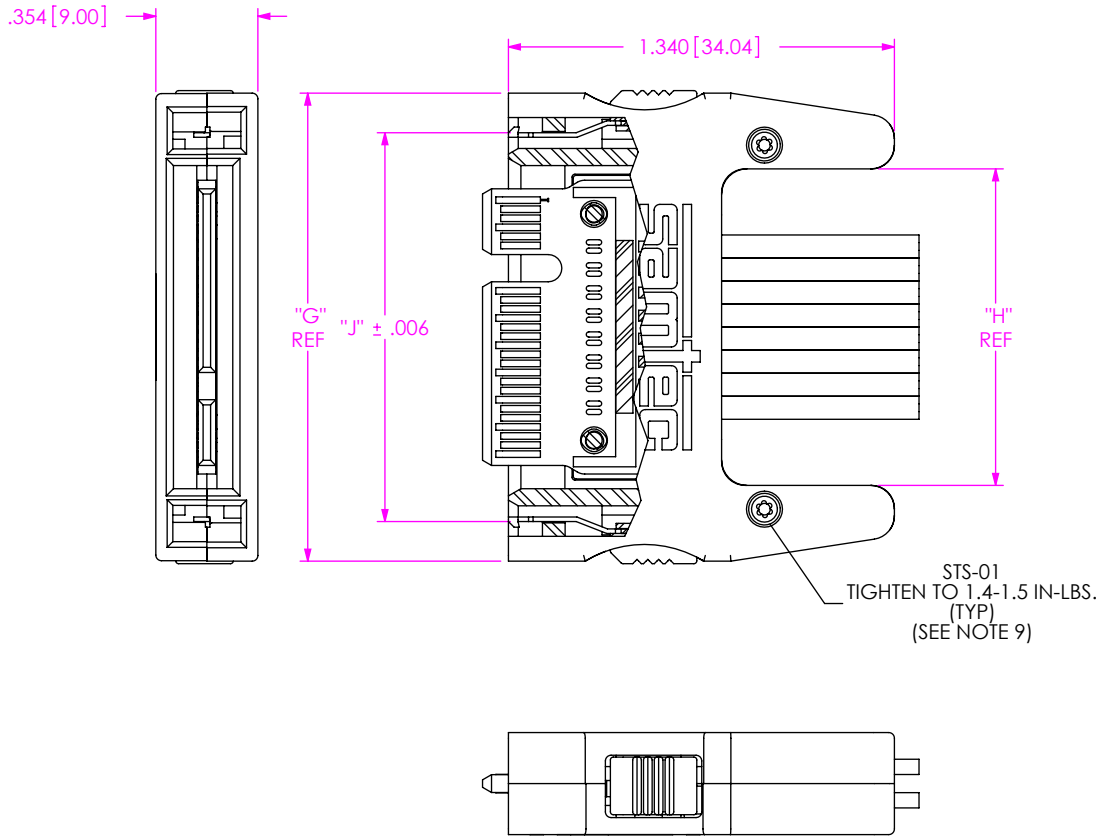
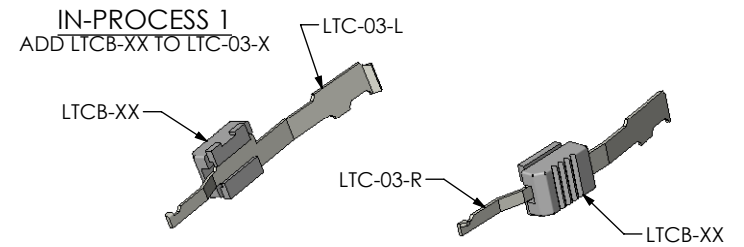
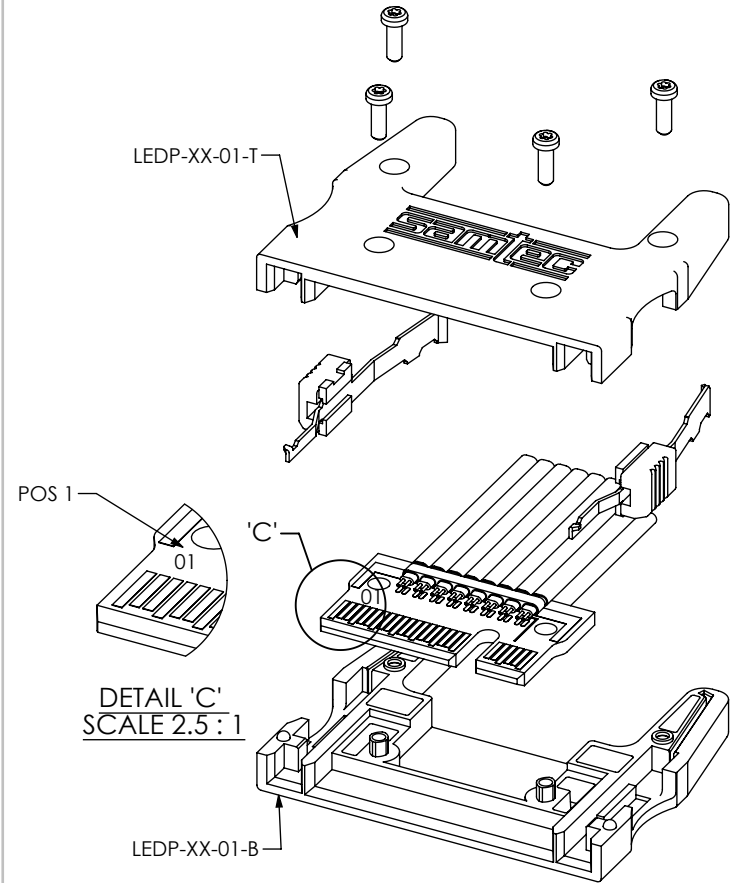


TABLE 6					
No. OF PAIRS	"G"	"H"	"J"	LEDP-XX-01-T	LEDP-XX-01-B
-008	1.254 [31.85]	.724 [18.40]	.982 [24.94]	LEDP-08-01-T	LEDP-08-01-B
-016	1.632 [41.45]	1.102 [28.00]	1.360 [34.54]	LEDP-16-01-T	LEDP-16-01-B
-024	2.010 [51.05]	1.480 [37.60]	1.738 [44.15]	LEDP-24-01-T	LEDP-24-01-B
-032	2.388 [60.65]	1.858 [47.20]	2.116 [53.75]	LEDP-32-01-T	LEDP-32-01-B



IN-PROCESS 2
 VERIFY PIN 1 LOCATION ON PCB PRIOR TO ADDING LEDP HOUSINGS



PROPRIETARY NOTE
 THIS DOCUMENT CONTAINS INFORMATION CONFIDENTIAL AND PROPRIETARY TO SAMTEC, INC. AND SHALL NOT BE REPRODUCED OR TRANSFERRED TO OTHER DOCUMENTS OR DISCLOSED TO OTHERS OR USED FOR ANY PURPOSE OTHER THAN THAT WHICH IT WAS OBTAINED WITHOUT THE EXPRESSED WRITTEN CONSENT OF SAMTEC, INC.

DO NOT SCALE DRAWING

SHEET SCALE: 1.25:1



520 PARK EAST BLVD, NEW ALBANY, IN 47150
 PHONE: 812-944-6733 FAX: 812-948-5047
 e-Mail info@SAMTEC.com code 55322

DESCRIPTION:
 TWIN-AX EDGE CARD CABLE ASSEMBLY

DWG. NO.
EEDP-XXX-XX.XX-XXX-XXX-X

BY: BRATCHER 09/25/2003 SHEET 7 OF 9

FIG 6
 -RLX: RIGHT ANGLE WITH LATCHES
 (EEDP-016-XX.XX-X-RL1-XXX SHOWN)
 (SAME AS FIG 1, UNLESS OTHERWISE STATED)

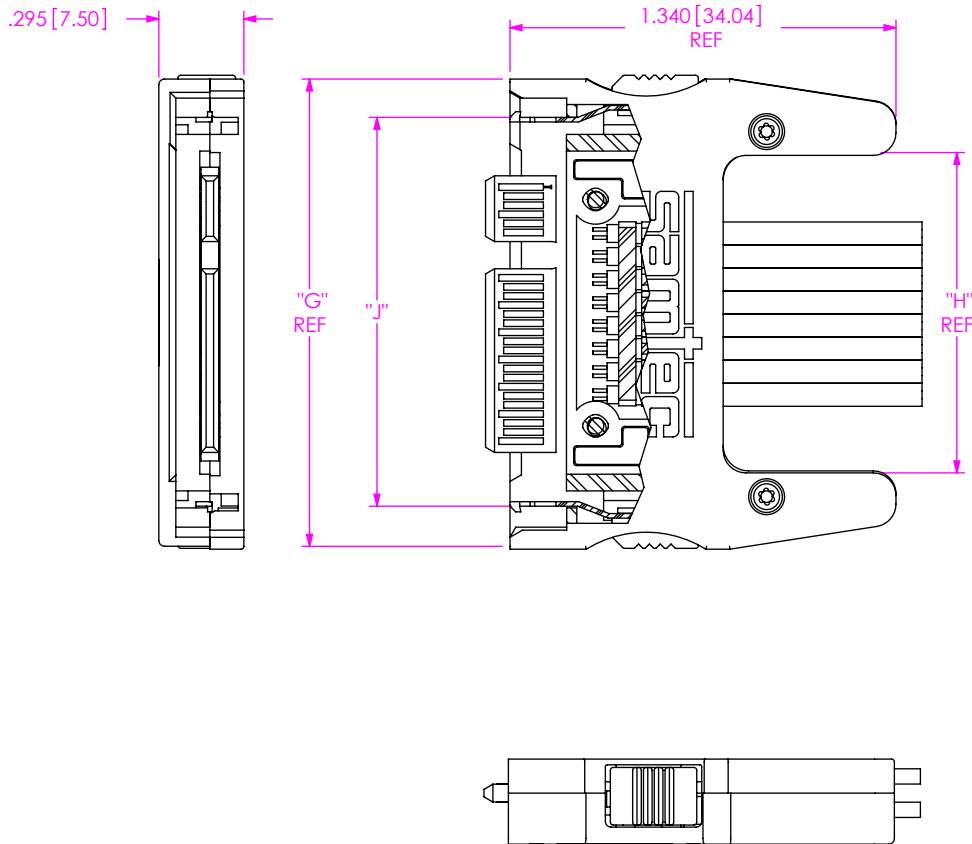
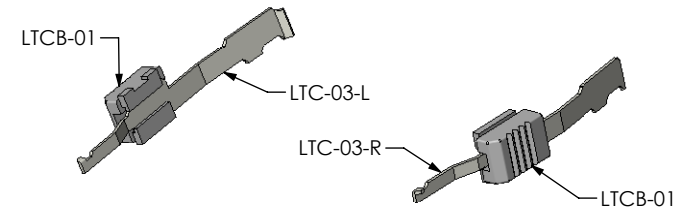


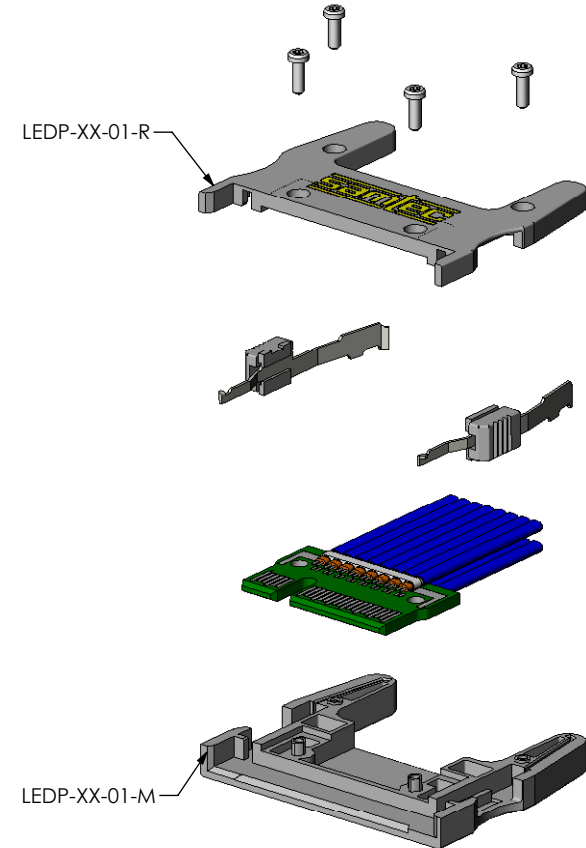
TABLE 7

No. OF PAIRS	"G"	"H"	"J"	LEDP-XX-01-R	LEDP-XX-01-M
-008	1.254 [31.85]	.724 [18.40]	.986 [25.05]	LEDP-08-01-R	LEDP-08-01-M
-016	1.632 [41.45]	1.102 [28.00]	1.364 [34.65]	LEDP-16-01-R	LEDP-16-01-M
-024	2.010 [51.05]	1.480 [37.60]	1.742 [44.25]	LEDP-24-01-R	LEDP-24-01-M
-032	2.388 [60.65]	1.858 [47.20]	2.120 [53.85]	LEDP-32-01-R	LEDP-32-01-M

IN-PROCESS 1
 ADD LTCB-01 TO LTC-03-X



IN-PROCESS 2



PROPRIETARY NOTE
 THIS DOCUMENT CONTAINS INFORMATION
 CONFIDENTIAL AND PROPRIETARY TO
 SAMTEC, INC. AND SHALL NOT BE REPRODUCED
 OR TRANSFERRED TO OTHER DOCUMENTS OR
 DISCLOSED TO OTHERS OR USED FOR ANY
 PURPOSE OTHER THAN THAT WHICH IT WAS
 OBTAINED WITHOUT THE EXPRESSED WRITTEN
 CONSENT OF SAMTEC, INC.

DO NOT SCALE DRAWING

SHEET SCALE: 1.25:1



520 PARK EAST BLVD, NEW ALBANY, IN 47150
 PHONE: 812-944-6733 FAX: 812-948-5047
 e-Mail info@SAMTEC.com code 55322

DESCRIPTION:
 TWIN-AX EDGE CARD CABLE ASSEMBLY

DWG. NO.
 EEDP-XXX-XX.XX-XXX-XXX-X

BY: BRATCHER 09/25/2003 SHEET 9 OF 9