



HLC DATA TRANSFER CONNECTOR

- D-sub derivative design
11-pin, 4 amps per contact
- Available in IP64 and IP67 protective classes
- Optional keying features for plug discrimination
- Molded strain relief for cable mounted plug
- Latching device to avoid unintentional separation
- 3 termination styles available: 90° PCB
(1.4mm and 2.9mm, solder bucket)

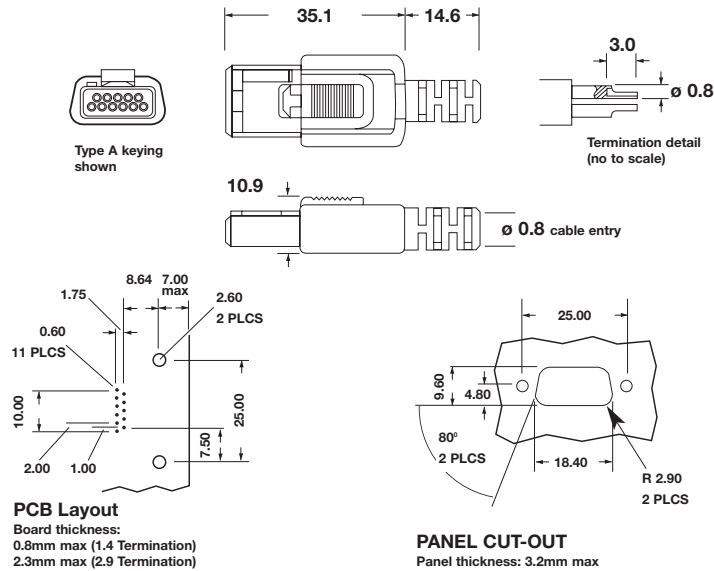
PERFORMANCE SPECIFICATIONS

MATERIALS	
Receptacle, Plug and Socket insert	: Polyamide Color - Black
Plug cover and Bezel	: Polycarbonate Resin Colour - Black
Contacts (excluding Socket Wires)	: Copper Alloy
Socket Wires	: Beryllium Copper
PLATING FINISHES	
Contact Surfaces (Excluding Socket Wires)	: 0.25 - 0.35 μm Gold, Over 2.0 μm Nickel, Over 2.0 μm Copper
Socket Wires	: 1.27 μm min. Gold, Over 1.27 μm Nickel, Over 0.25 μm Copper
MECHANICAL	
Contact Retention	: 3 lbf min
Latch Retention (Inc Contacts)	: 5 lbf min. (Static) 75g x 1m drop min. (Dynamic)
<i>Insertion and extraction forces</i>	:
Individual contacts	: 20g - 60g
Connector (excluding latch)	: 3 lbf min

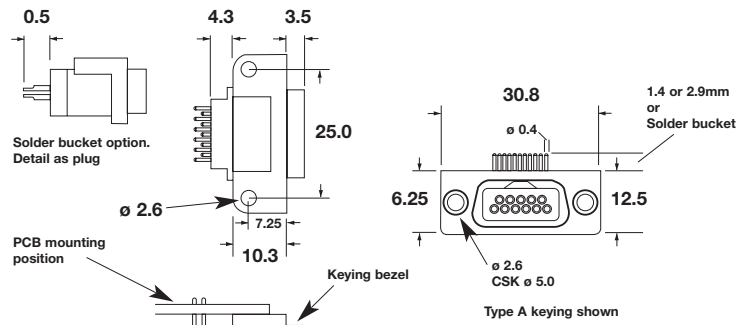
ELECTRICAL	
Current Rating	: 4 Amp per contact
Contact Resistance	: 15 m Ω max
ENVIRONMENTAL	
Sealing	: IP64 & IP67 male socket only
Mating cycles (Contacts)	: 500 min (Harsh Environment) 20,000 min (Benign Environment)
Mating cycles (Latch)	: 1000 min
Temperature Range	: -55 to 125 °C
Flammability rating	: V0 (UL94)

CONNECTOR DIMENSIONS

PLUG CONNECTOR



RECEPTACLE CONNECTOR



HLC CONNECTOR ORDERING INFORMATION

Part No	Plug	Receptacle Pins	Keying	IP64	IP67	Solder Bucket	90° x 1.4mm PWB Pin	90° x 2.9mm PWB Pin
HLC 100		✓	A	✓			✓	
HLC 101		✓	B	✓			✓	
HLC 102		✓	O	✓			✓	
HLC 103		✓	B		✓		✓	
HLC 105		✓	A				✓	
HLC 106		✓	O		✓		✓	
HLC 202	✓		A	✓		✓		
HLC 203	✓		B	✓		✓		
HLC 300		✓	A	✓				✓
HLC 301		✓	B	✓				✓
HLC 302		✓	O	✓				✓
HLC 303		✓	B	✓		✓		
HLC 308		✓	A	✓		✓		
HLC 309		✓	O	✓		✓		
HLC 310		✓	B		✓	✓		
HLC 311		✓	A		✓	✓		
HLC 312		✓	O		✓	✓		

PC-103-M = Keying Bezel, type A only and will fit to any non keyed receptacle

PC-102-M = Keying Bezel, type B only and will fit to any non keyed receptacle

Keying Bezels can be removed or added or changed after fitting the receptacle to your equipment

Keying A is keyed to the left with the receptacle facing you and the keyway located on the bottom edge

Keying B is keyed to the right with the receptacle facing you and the keyway located on the bottom edge

Keying O keyed to both the left and right with the receptacle facing you, hence it will accept both the type A and B plugs

Keying A and B on plugs are keyed the opposite side to their respective A and B receptacles with the plug facing you and the latch to the bottom