

Nominal diameter    Withdraw. force    Rated current    Contact resistance

Type    Part No

2/4 mm    -    10 A    -

AK 2-F/4-A    28.0009-00:  
(7.5 cm)

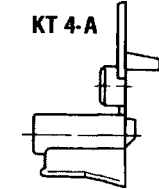
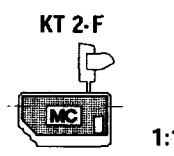
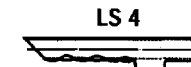
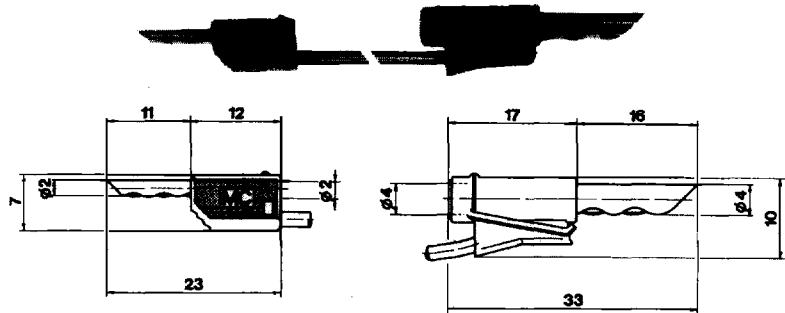
Highly flexible adapter lead, one end hollow 2 mm (.080 in.) dia. plug, other end 4 mm (.160 in) dia. stacking hollow plug.

For operating temperature, see page 27.

Components and ratings:

- Plug LS 2-F ..... # 22.1006
- Plug LS 4 ..... # 22.1005
- Insulator (polyamide) KT 2-F ..... # 22.2020
- Insulator (polyamide) KT 4-A ..... # 22.2050
- Wire Flexi-E/HK 0.50 ..... # 60.7005
- Operating temperature: ..... -10°C to +70°C  
(14°F to 158)

Colors: 20 - 29



1:1  
1:1.3

2/4 mm    -    10 A    -

AK 2-F/4-B    28.0010-00:  
(7.5 cm)

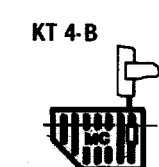
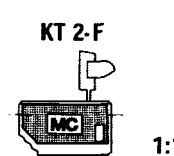
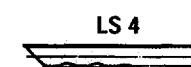
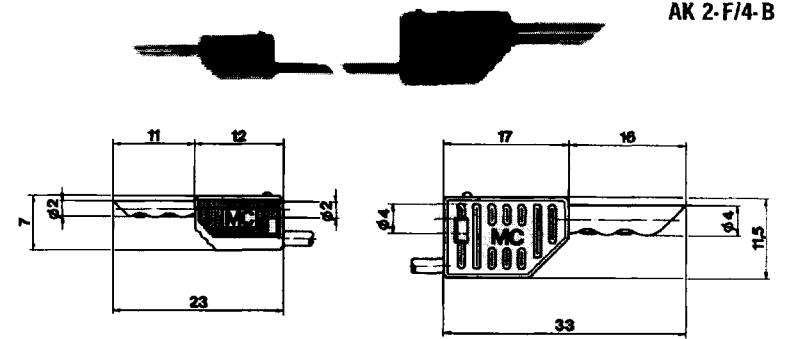
Highly flexible adapter lead, one end hollow 2 mm (.080 in.) dia. plug, other end 4 mm (.160 in) dia. stacking hollow plug.

For operating temperature, see page 27.

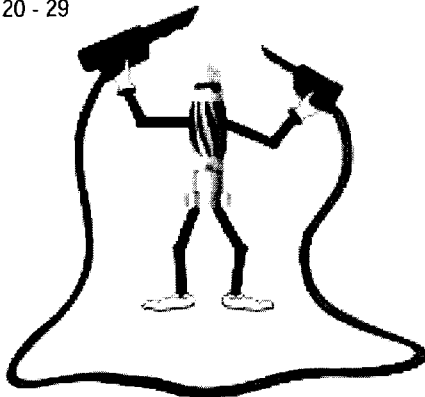
Components and ratings:

- Plug LS 2-F ..... # 22.1006
- Plug LS 4 ..... # 22.1005
- Insulator (polyamide) KT 2-F ..... # 22.2020
- Insulator (polyamide) KT 4-B ..... # 22.2060
- Wire Flexi-E/HK 0.50 ..... # 60.7005
- Operating temperature: ..... -10°C to +70°C  
(14°F to 158)

Colors: 20 - 29



1:1  
1:1.3



This symbol indicates that the item is equipped with either an external or internal MC® Multilam™.

20 - green/yellow    21 - black    22 - red    23 - blue    24 - yellow    25 - green    26 - violet    27 - brown    28 - gray    29 - white    33 - transparent

Part No.	Type	Nominal diameter	Withdraw. force	Rated current	Contact resistance
----------	------	------------------	-----------------	---------------	--------------------

18.0011-007  
7.5 cm)

18.0011-015  
15 cm)

18.0011-030  
30 cm)

18.0011-045  
45 cm)

18.0011-060  
60 cm)

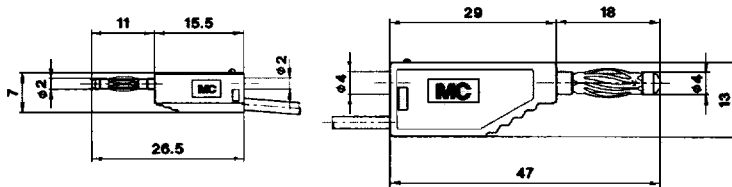
AK 205/410



2/4 mm - 10 A -

Highly flexible adapter lead, one end 2 mm (.080 in) dia. stacking Multilam™ plug, other end 4 mm (.160 in) dia. stacking Multilam™ plug.

For operating temperature, see page 27.



Components and ratings:

- Multilam™ Plug LS 205 ..... # 22.1004
- Multilam™ Plug LS 410 ..... # 22.1010
- Insulator (polyamide) KT 205 ..... # 22.2030
- Insulator (polyamide) KT 410 ..... # 22.2140
- Wire Flexi-E/HK 0.50 ..... # 60.7005
- Operating temperature: ..... -10°C to +70°C (14°F to 158)

1.3:1

LS 205

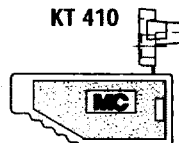
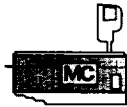
LS 410



Colors: 21 - 29

KT 205

KT 410



1:1.3

1:1.3

18.0012-015  
15 cm)

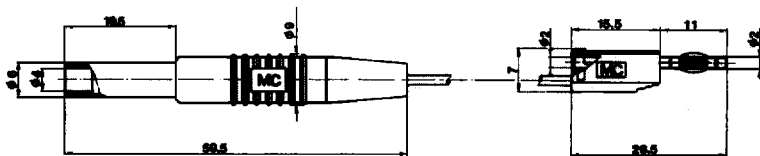
AK 205/410-BK



2/4 mm - 10 A -

Highly flexible adapter lead, one end 2 mm (.080 in) dia. stacking Multilam™ plug, other end 4 mm (.160 in) dia. insulated socket.

For operating temperature, see page 27.



4 mm dia. socket, rigid, insulated

2 mm dia. Multilam™ plug

Components and ratings:

- Multilam™ Plug LS 205 ..... # 22.1004
- Multilam™ Plug LS 410-BK-I ..... # 22.1037
- Insulator (polyamide) KT 205 ..... # 22.2030
- Insulator (polyamide) KT 410-BK ..... # 22.2250
- Wire Flexi-E/HK 0.50 ..... # 60.7005
- Operating temperature: ..... -10°C to +70°C (14°F to 158)

1.3:1

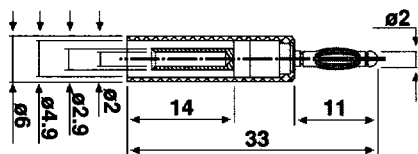
Colors: 21, 22

14.0114 A-2/2



2 mm - 10 A 0.6 mΩ

2 mm safety adapter, rated 30 Vac, 60 Vdc, 10 A, can be plugged into any 2 mm diameter socket by means of a uninsulated 2 mm plug.


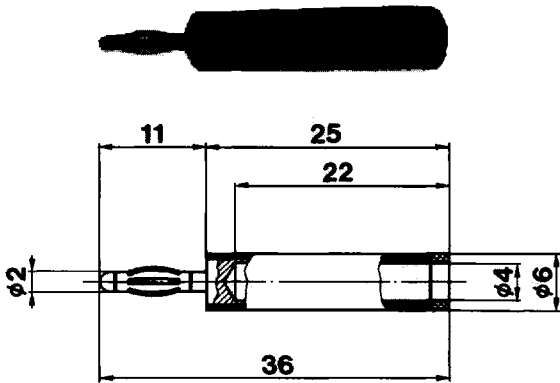
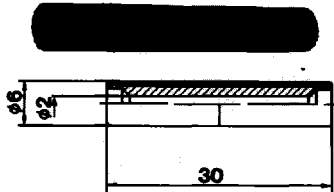

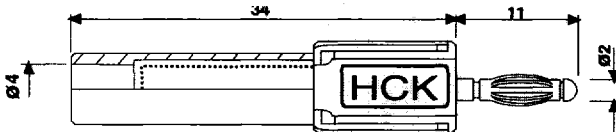

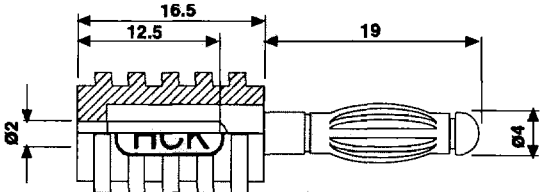


⚠ This adapter, even in conjunction with safety leads, can only be used at a rated voltage of 30 VAC, 60 VDC

1:1

Colors: 21 - 23

20 - green/yellow 21 - black 22 - red 23 - blue 24 - yellow 25 - green 26 - violet 27 - brown 28 - gray 29 - white 33 - transparent

Nominal diameter	Withdraw. force	Rated current	Contact resistance		Type	Part No	
2 mm	-	25 A	0.6 mΩ		A 2/4	24.0115	
<p>Universal adapter, 2 mm (.080 in) dia. Multilam™ plug on one end and 4 mm (.160 in) dia. in-line socket on the other end.                      Machined brass, gold plated and polyamide insulated.                      Used with standard or safety plugs.</p> <p>Operating temperature: ..... -40°C to +80°C                      (-40°F to 176°F)</p> <p>Colors: 21 - 24</p>				 <p>1.3:1</p>			
2 mm 4 mm	-	15 A 19 A	-		KK 2/2	24.0140	
<p>Universal coupler KK 2/4 with 2 mm (.080 in) dia. socket on one end, 4 mm (.160 in) dia. socket on other end. Also, KK 2/2 with 2 mm (.080 in) dia. sockets on both ends.</p> <p>Operating temperature: ..... -40°C to +80°C                      (-40°F to 176°F)</p> <p>Colors: 21 - 24</p>				 <p>KK 2/4</p>			24.0141
2 mm	-	10 A	0.8 mΩ		RS-4/2 A	63.9226	
<p>2mm Multilam™ plug and 4mm rigid socket which accepts all HCK standard and shrouded 4mm plugs.                      Polyamide 6.6 insulation. Weight: 3.7 g.</p> <p>Operating temperature: ..... -40°C to +80°C                      (-40°F to 176°F)</p> <p>Colors: 21 - 23</p>				 <p>1.5:1</p>			
2 mm	-	-	-		AS-2/4	63.9227	
<p>Adapter with 4mm Multilam™ plug and 2mm socket to accept Multilam™ or hollow plugs. The adaptor's low profile provides a space saving connection.                      Weight: 4.2 g.</p> <p>Colors: 21 - 23</p>				 <p>1.5:1</p>			

20 - green/yellow 21 - black 22 - red 23 - blue 24 - yellow 25 - green 26 - violet 27 - brown 28 - gray 29 - white 33 - transparent

