

**PLEASE CHECK WWW.MOLEX.COM FOR LATEST PART INFORMATION**

**Part Number:** [0736440002](#)

**Status:** **Active**

**Overview:**

**Description:** 2.00mm (.079") Pitch HDM® Board-to-Board Backplane Header, Vertical, SMC, Press-Fit, Guide Post Location B, Polarizing Key Position B, 72 Circuits

**Documents:**

[Packaging Specification \(PDF\)](#)

[RoHS Certificate of Compliance \(PDF\)](#)

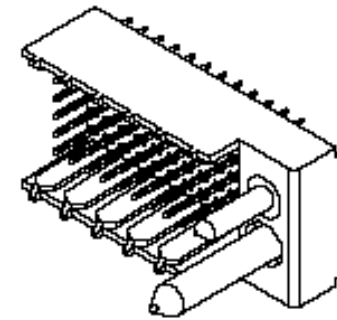
[Drawing \(PDF\)](#)

**General**

Product Family	Backplane Connectors
Series	73644
Application	Backplane
Comments	Standard Press-Fit
Component Type	PCB Header
Overview	HDM#174;
Product Name	HDM®
Style	N/A

**Physical**

Circuits (Loaded)	72
Circuits (maximum)	72
Color - Resin	Black
Color - Metal	Natural
Durability (mating cycles max)	250
First Mate / Last Break	No
Flammability	94V-0
Guide to Mating Part	Yes
Keying to Mating Part	Yes
Material - Metal	Phosphor Bronze
Material - Metal	Stainless Steel
Material - Plating Mating	Gold
Material - Plating Termination	Gold
Material - Resin	High Temperature Thermoplastic
Number of Columns	12
Number of Pairs	Open Pin Field
Number of Rows	6
Orientation	Vertical
PC Tail Length (in)	0.138 In
PC Tail Length (mm)	3.50 mm
PCB Locator	No
PCB Retention	Yes
PCB Thickness Recommended (in)	0.098 In
PCB Thickness Recommended (mm)	2.50 mm
Packaging Type	Tube
Pitch - Mating Interface (in)	0.079 In
Pitch - Mating Interface (mm)	2.00 mm
Pitch - Term. Interface (in)	0.079 In
Pitch - Term. Interface (mm)	2.00 mm
Plating min: Mating (µin)	30
Plating min: Mating (µm)	0.75
Plating min: Termination (µin)	2
Plating min: Termination (µm)	0.05
Polarized to PCB	No
Stackable	No
Surface Mount Compatible (SMC)	Yes



Series image - Reference only

**EU RoHS**

**ELV and RoHS**

**Compliant**

**REACH SVHC**

**Contains SVHC: No**

**Halogen-Free**

**Status**

**Not Reviewed**

**China RoHS**



**Need more information on product environmental compliance?**

Email [productcompliance@molex.com](mailto:productcompliance@molex.com)  
Please visit the [Contact Us](#) section for any non-product compliance questions.

**Search Parts in this Series**

[73644 Series](#)

**Mates With**

[73632](#) HDM PLUS® Board-to-Board Daughtercard Receptacle. [73780](#) HDM® Board-to-Board Daughtercard Receptacle

**Application Tooling | FAQ**

*Tooling specifications and manuals are found by selecting the products below. Crimp Height Specifications are then contained in the Application Tooling Specification document.*

**Global**

Description	Product #
Flat Rock Tooling for Pneumatic Press	<a href="#">0622013700</a>
Extraction Tool	<a href="#">0621001000</a>
HDM® Backplane Insertion Signal Contact Tool	<a href="#">0621001400</a>

Temperature Range - Operating -55°C to +105°C  
Termination Interface: Style Through Hole - Compliant Pin

**Electrical**

CSA LR19980  
Current - Maximum 1A  
Data Rate 1.0 Gbps  
Real Signals (per 25mm) 75  
Shielded No  
UL E29179  
Voltage - Maximum 250V AC

**Material Info**

**Reference - Drawing Numbers**

Sales Drawing SDA-73644-\*\*\*\*

HDM and High Density Metric are trademarks of Amphenol Corporation

This document was generated on 11/06/2009

**PLEASE CHECK [WWW.MOLEX.COM](http://WWW.MOLEX.COM) FOR LATEST PART INFORMATION**