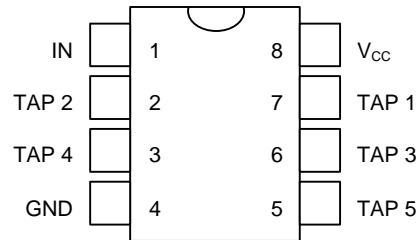


### FEATURES

- All-silicon timing circuit
- 5-taps equally spaced
- Delays are stable and precise
- Both leading and trailing edge accuracy
- Improved replacement for DS1000
- Low-power CMOS
- TTL/CMOS-compatible
- Vapor phase, IR and wave solderable
- Custom delays available
- Fast turn prototypes
- Delays specified over both commercial and industrial temperature ranges

### PIN ASSIGNMENT



DS1100M 8-PIN DIP (300 MIL)  
 DS1100Z 8-PIN SOIC (150 MIL)  
 DS1100U 8-PIN MICRO-SOP

### PIN DESCRIPTION

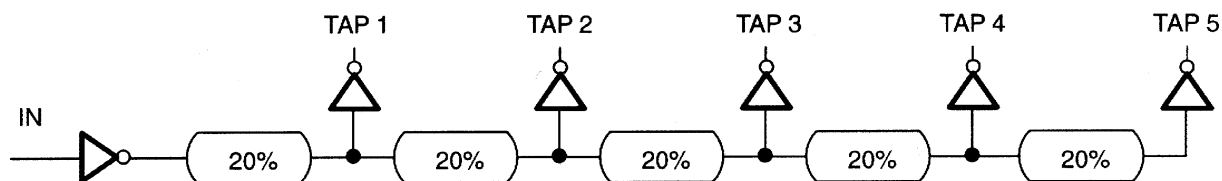
TAP 1-TAP 5	- TAP Output Number
V <sub>CC</sub>	- +5 Volts
GND	- Ground
IN	- Input

### DESCRIPTION

The DS1100 series delay lines have five equally spaced taps providing delays from 4 ns to 300 ns. These devices are offered in 8-pin DIPs and surface mount packages to save PC board area. Low cost and superior reliability over hybrid technology is achieved by the combination of a 100% silicon delay line and industry standard DIP and SOIC packaging. The DS1100 5-Tap Silicon Delay Line reproduces the input logic state at the output after a fixed delay as specified by the extension of the part number after the dash. The DS1100 is designed to reproduce both leading and trailing edges with equal precision. Each tap is capable of driving up to ten 74LS loads.

Dallas Semiconductor can customize standard products to meet special needs. For special requests and rapid delivery, call (972) 371-4348.

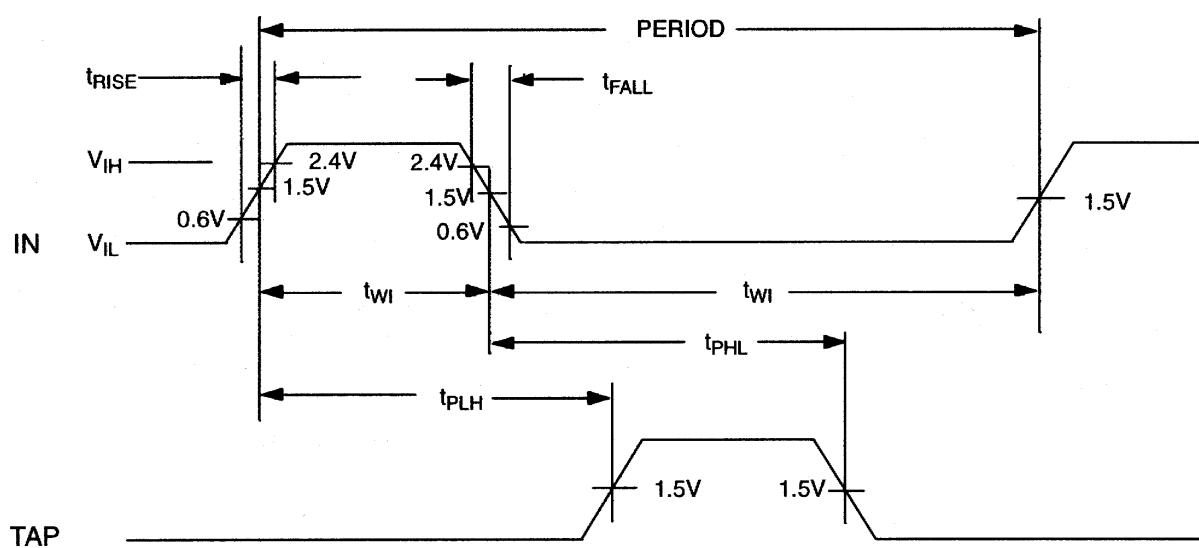
## LOGIC DIAGRAM Figure 1



### DS1100 PART NUMBER DELAY TABLE (all values in ns) Table 1

PART # DS1100	NOMINAL DELAYS				
	TAP 1	TAP 2	TAP 3	TAP 4	TAP 5
-20	4	8	12	16	20
-25	5	10	15	20	25
-30	6	12	18	24	30
-35	7	14	21	28	35
-40	8	16	24	32	40
-45	9	18	27	36	45
-50	10	20	30	40	50
-60	12	24	36	48	60
-75	15	30	45	60	75
-100	20	40	60	80	100
-125	25	50	75	100	125
-150	30	60	90	120	150
-175	35	70	105	140	175
-200	40	80	120	160	200
-250	50	100	150	200	250
-300	60	120	180	240	300

### TIMING DIAGRAM: SILICON DELAY LINE Figure 2



**ABSOLUTE MAXIMUM RATINGS\***

Voltage on Any Pin Relative to Ground	-1.0V to +7.0V
Operating Temperature	-40°C to +85°C
Storage Temperature	-55°C to +125°C
Soldering Temperature	260°C for 10 seconds
Short Circuit Output Current	50 mA for 1 second

\* This is a stress rating only and functional operation of the device at these or any other conditions above those indicated in the operation sections of this specification is not implied. Exposure to absolute maximum rating conditions for extended periods of time may affect reliability.

**DC ELECTRICAL CHARACTERISTICS** ( $-40^{\circ}\text{C}$  to  $+85^{\circ}\text{C}$ ;  $V_{\text{CC}} = 5.0\text{V} \pm 5\%$ )

PARAMETER	SYM	TEST CONDITION	MIN	TYP	MAX	UNITS	NOTES
Supply Voltage	$V_{\text{CC}}$		4.75	5.00	5.25	V	5
High Level Input Voltage	$V_{\text{IH}}$		2.2		$V_{\text{CC}} = 0.5$	V	5
Low Level Input Voltage	$V_{\text{IL}}$		-0.5		0.8	V	5
Input Leakage Current	$I_{\text{I}}$	$0.0\text{V} \leq V_{\text{I}} \leq V_{\text{CC}}$	-1.0		1.0	$\mu\text{A}$	
Active Current	$I_{\text{CC}}$	$V_{\text{CC}}=\text{Max}$ ; Period=Min.		30	50	mA	6, 8
High Level Output Current	$I_{\text{OH}}$	$V_{\text{CC}}=\text{Min}$ . $V_{\text{OH}}=4$			-1	mA	
Low Level Output Current	$I_{\text{OL}}$	$V_{\text{CC}}=\text{Min}$ . $V_{\text{OL}}=0.5$	12			mA	

**AC ELECTRICAL CHARACTERISTICS** ( $T_{\text{A}} = 25^{\circ}\text{C}$ ;  $V_{\text{CC}} = 5\text{V} \pm 5\%$ )

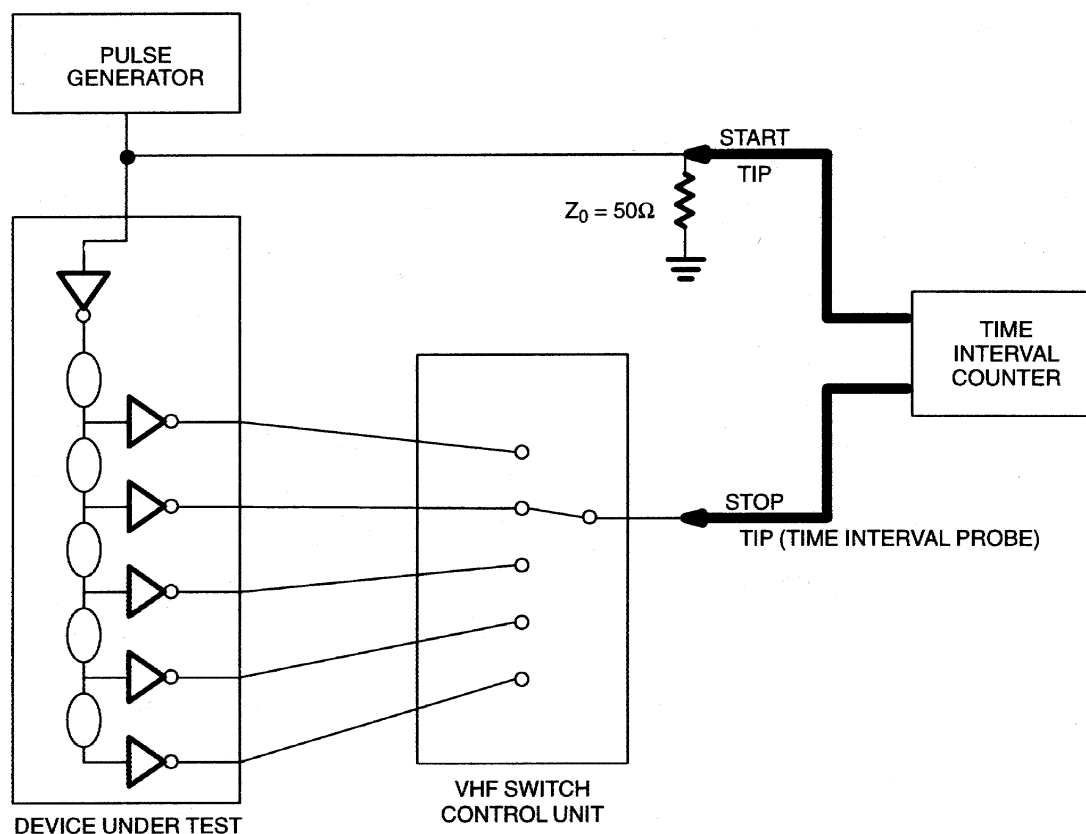
PARAMETER	SYM	TEST CONDITION	MIN	TYP	MAX	UNITS	NOTES
Input Pulse Width	$t_{\text{WI}}$		20% of Tap 5 $t_{\text{PLH}}$			ns	
Input-to-Tap Delay Tolerance (Delays $\leq 40$ ns)	$t_{\text{PLH}}$ $t_{\text{PHL}}$	25°C 5V	-2	Table 1	+2	ns	1, 3, 4, 7
		0°C to 70°C	-3	Table 1	+3	ns	1, 2, 3, 4, 7
		-40°C to +85°C	-4	Table 1	+4	ns	1, 2, 3, 4, 7
Input-to-Tap Delay Tolerance (Delays $> 40$ ns)	$t_{\text{PLH}}$ $t_{\text{PHL}}$	25°C 5V	-5	Table 1	+5	%	1, 3, 4, 7
		0°C to 70°C	-3	Table 1	+3	%	1, 2, 3, 4, 7
		-40°C to +85°C	-8	Table 1	+8	%	1, 2, 3, 4, 7
Power-up Time	$t_{\text{PU}}$				200	$\mu\text{s}$	
Input Period	Period	$2(t_{\text{WI}})$				ns	

**CAPACITANCE**( $T_{\text{A}} = 25^{\circ}\text{C}$ )

PARAMETER	SYMBOL	MIN	TYP	MAX	UNITS	NOTES
Input Capacitance	$C_{\text{IN}}$		5	10	pF	

**NOTES:**

1. Initial tolerances are  $\pm$  with respect to the nominal value at 25°C and 5V for both leading and trailing edge.
2. T & V tolerance is with respect to the actual measured (at 25° C and 5V) delay value over the stated temperature range, and a supply voltage range of 4.75 to 5.25V.
3. All tap delays tend to vary unidirectionally with temperature or voltage changes. For example, if TAP 1 slows down, all other taps also slow down; TAP3 can never be faster than TAP2.
4. Intermediate delay values are available on a custom basis. For further information, call (972) 371-4348.
5. All voltages are referenced to ground.
6. Measured with outputs open.
7. See "Test Conditions" section at the end of this data sheet.
8.  $I_{CC}$  values apply to a -20 operating at 1MHz. Longer delays will consume less current.

**TESTCIRCUIT Figure 3**

## TERMINOLOGY

**Period:** The time elapsed between the leading edge of the first pulse and the leading edge of the following pulse.

**$t_{WI}$  (Pulse Width):** The elapsed time on the pulse between the 1.5V point on the leading edge and the 1.5V point on the trailing edge or the 1.5V point on the trailing edge and the 1.5V point on the leading edge.

**$t_{RISE}$  (Input Rise Time):** The elapsed time between the 20% and the 80% point on the leading edge of the input pulse.

**$t_{FALL}$  (Input Fall Time):** The elapsed time between the 80% and the 20% point on the trailing edge of the input pulse.

**$t_{PLH}$  (Time Delay, Rising):** The elapsed time between the 1.5V point on the leading edge of the input pulse and the 1.5V point on the leading edge of any tap output pulse.

**$t_{PHL}$  (Time Delay, Falling):** The elapsed time between the 1.5V point on the trailing edge of the input pulse and the 1.5V point on the trailing edge of any tap output pulse.

## TEST SETUP DESCRIPTION

Figure 3 illustrates the hardware configuration used for measuring the timing parameters on the DS1100. The input waveform is produced by a precision pulse generator under software control. Time delays are measured by a time interval counter (20 ps resolution) connected between the input and each tap. Each tap is selected and connected to the counter by a VHF switch control unit. All measurements are fully automated, with each instrument controlled by a central computer over an IEEE 488 bus.

## TEST CONDITIONS INPUT :

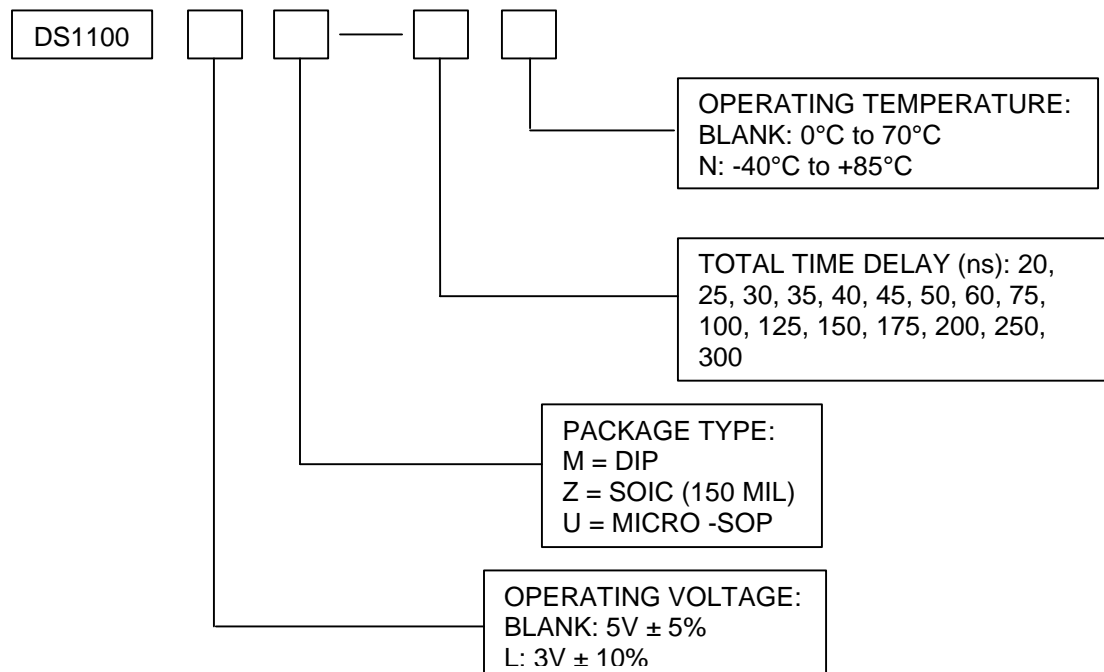
Ambient Temperature:	25°C ± 3°C
Supply Voltage (V <sub>CC</sub> ):	5.0V ± 0.1V
Input Pulse:	High = 3.0V ± 0.1V Low = 0.0V ± 0.1V
Source Impedance:	50 Ohm Max.
Rise and Fall Time:	3.0 ns Max. (measured between 0.6V and 2.4V)
Pulse Width:	500 ns
Period:	1 μs

## OUTPUT:

Each output is loaded with the equivalent of one 74F04 input gate. Delay is measured at the 1.5V level on the rising and falling edge.

## NOTE:

Above conditions are for test only and do not restrict the operation of the device under other data sheet conditions.

**ORDERING INFORMATION**

DEVICE	PACKAGES	OPERATING TEMP. RANGE (CELSIUS)	ORDERING NUMBER	SPEED OR VERSION
DS0621	Software		DS0621-SDK	
DS1000	14-Pin DIP	0 to 70	DS1000-xxx	xxx = 20 to 500 ns
	8-Pin DIP	0 to 70	DS1000M-xxx	xxx = 20 to 500 ns
	16-Pin SOIC	0 to 70	DS1000S-xxx	xxx = 20 to 500 ns
	16-Pin SOIC T&R	0 to 70	DS1000S-xxx/T&R	xxx = 20 to 500 ns
	8-Pin SOIC	0 to 70	DS1000Z-xxx	xxx = 20 to 500 ns
	8-Pin SOIC T&R	0 to 70	DS1000Z-xxx/T&R	xxx = 20 to 500 ns
	DS1000-IND	8-Pin DIP	-40 to +85	DS1000M-xxxN
8-Pin SOIC		-40 to +85	DS1000Z-xxxN	xxx = 20 to 500 ns
8-Pin SOIC T&R		-40 to +85	DS1000Z-xxxN/T&R	xxx = 20 to 500 ns
14-Pin DIP		-40 to +85	DS1000-xxx IND	xxx = 20 to 500 ns
DS1004	8-Pin DIP	0 to 70	DS1004M-2	13 ns total delay
	8-Pin DIP	0 to 70	DS1004M-3	17 ns total delay
	8-Pin DIP	0 to 70	DS1004M-4	21 ns total delay
	8-Pin DIP	0 to 70	DS1004M-5	25 ns total delay
	8-Pin SOIC	0 to 70	DS1004Z-2	13 ns total delay
	8-Pin SOIC T&R	0 to 70	DS1004Z-2/T&R	13 ns total delay
	8-Pin SOIC	0 to 70	DS1004Z-3	17 ns total delay
	8-Pin SOIC T&R	0 to 70	DS1004Z-3/T&R	17 ns total delay
	8-Pin SOIC	0 to 70	DS1004Z-4	21 ns total delay
	8-Pin SOIC T&R	0 to 70	DS1004Z-4/T&R	21 ns total delay
	8-Pin SOIC	0 to 70	DS1004Z-5	25 ns total delay
	8-Pin SOIC T&R	0 to 70	DS1004Z-5/T&R	25 ns total delay
	DS1005	14-Pin DIP	0 to 70	DS1005-xxx
8-Pin DIP		0 to 70	DS1005M-xxx	xxx = 60 to 250 ns
16-Pin SOIC		0 to 70	DS1005S-xxx	xxx = 60 to 250 ns
16-Pin SOIC T&R		0 to 70	DS1005S-xxx/T&R	xxx = 60 to 250 ns
DS1007	16-Pin DIP	0 to 70	DS1007-xxx	xxx = 1 to 14
	16-Pin SOIC	0 to 70	DS1007S-xxx	xxx = 1 to 14
	16-Pin SOIC T&R	0 to 70	DS1007S-xxx/T&R	xxx = 1 to 14
DS1010	14-Pin DIP	0 to 70	DS1010-xxx	xxx = 50 to 500 ns
	16-Pin SOIC	0 to 70	DS1010S-xxx	xxx = 50 to 500 ns
	16-Pin SOIC T&R	0 to 70	DS1010S-xxx/T&R	xxx = 50 to 500 ns
DS1013	14-Pin DIP	0 to 70	DS1013-xxx	xxx = 10 to 200 ns
	8-Pin DIP	0 to 70	DS1013M-xxx	xxx = 10 to 200 ns
	16-Pin SOIC	0 to 70	DS1013S-xxx	xxx = 10 to 200 ns
	16-Pin SOIC T&R	0 to 70	DS1013S-xxx/T&R	xxx = 10 to 200 ns

<b>DS1020</b>	16-Pin DIP	0 to 70	DS1020-15	0.15 ns Steps
	16-Pin DIP	0 to 70	DS1020-25	0.25 ns Steps
	16-Pin DIP	0 to 70	DS1020-50	0.50 ns Steps
	16-Pin DIP	0 to 70	DS1020-100	1.00 ns Steps
	16-Pin DIP	0 to 70	DS1020-200	2.00 ns Steps
	16-Pin SOIC	0 to 70	DS1020S-15	0.15 ns Steps
	16-Pin SOIC T&R	0 to 70	DS1020S-15/T&R	0.15 ns Steps
	16-Pin SOIC	0 to 70	DS1020S-25	0.25 ns Steps
	16-Pin SOIC T&R	0 to 70	DS1020S-25/T&R	0.25 ns Steps
	16-Pin SOIC	0 to 70	DS1020S-50	0.50 ns Steps
	16-Pin SOIC T&R	0 to 70	DS1020S-50/T&R	0.50 ns Steps
	16-Pin SOIC	0 to 70	DS1020S-100	1.00 ns Steps
	16-Pin SOIC	0 to 70	DS1020S-200	2.00 ns Steps
	<b>DS1021</b>	16-Pin SOIC	0 to 70	DS1021S-25
16-Pin SOIC T&R		0 to 70	DS1021S-25/T&R	0.25 ns Steps
16-Pin SOIC		0 to 70	DS1021S-50	0.50 ns Steps
16-Pin SOIC T&R		0 to 70	DS1021S-25/T&R	0.50 ns Steps
<b>DS1023</b>	16-Pin DIP	0 to 70	DS1023-25	0.25 ns Steps
	16-Pin DIP	0 to 70	DS1023-50	0.50 ns Steps
	16-Pin DIP	0 to 70	DS1023-100	1.00 ns Steps
	16-Pin DIP	0 to 70	DS1023-200	2.00 ns Steps
	16-Pin DIP	0 to 70	DS1023-500	5.00 ns Steps
	16-Pin SOIC	0 to 70	DS1023S-25	0.25 ns Steps
	16-Pin SOIC	0 to 70	DS1023S-50	0.50 ns Steps
	16-Pin SOIC	0 to 70	DS1023S-100	1.00 ns Steps
	16-Pin SOIC	0 to 70	DS1023S-200	2.00 ns Steps
	16-Pin SOIC	0 to 70	DS1023S-500	5.00 ns Steps
<b>DS1033</b>	8-Pin DIP	0 to 70	DS1033M-xxx	xxx = 8 to 030 ns
	8-Pin SOIC	0 to 70	DS1033Z-xxx	xxx = 8 to 030 ns
	8-Pin SOIC T&R	0 to 70	DS1033Z-xxx/T&R	xxx = 8 to 030 ns
<b>DS1035</b>	8-Pin DIP	0 to 70	DS1035M-xxx	xxx = 6 to 030 ns
	8-Pin SOIC	0 to 70	DS1035Z-xxx	xxx = 6 to 030 ns
	8-Pin SOIC T&R	0 to 70	DS1035Z-xxx/T&R	xxx = 6 to 030 ns
<b>DS1040</b>	8-Pin DIP	0 to 70	DS1040M-75	75 ns max pulse width
	8-Pin DIP	0 to 70	DS1040M-100	100 ns max pulse width
	8-Pin DIP	0 to 70	DS1040M-150	150 ns max pulse width
	8-Pin DIP	0 to 70	DS1040M-200	200 ns max pulse width
	8-Pin DIP	0 to 70	DS1040M-250	250 ns max pulse width
	8-Pin DIP	0 to 70	DS1040M-500	500 ns max pulse width
	8-Pin DIP	0 to 70	DS1040M-B50	50 ns max pulse width



	8-Pin DIP	0 to 70	DS1040M-D60	60 ns max pulse width
	8-Pin DIP	0 to 70	DS1040M-A15	15 ns max pulse width
	8-Pin DIP	0 to 70	DS1040M-A20	20 ns max pulse width
	8-Pin DIP	0 to 70	DS1040M-A32	32.5 ns max pulse width
	8-Pin DIP	0 to 70	DS1040M-B40	40 ns max pulse width
	8-Pin DIP	0 to 70	DS1040M-D70	70 ns max pulse width
	8-Pin SOIC	0 to 70	DS1040Z-75	75 ns max pulse width
	8-Pin SOIC T&R	0 to 70	DS1040Z-75/T&R	75 ns max pulse width
	8-Pin SOIC	0 to 70	DS1040Z-100	100 ns max pulse width
	8-Pin SOIC	0 to 70	DS1040Z-150	150 ns max pulse width
	8-Pin SOIC	0 to 70	DS1040Z-200	200 ns max pulse width
	8-Pin SOIC	0 to 70	DS1040Z-250	250 ns max pulse width
	8-Pin SOIC	0 to 70	DS1040Z-500	500 ns max pulse width
	8-Pin SOIC	0 to 70	DS1040Z-B50	50 ns max pulse width
	8-Pin SOIC	0 to 70	DS1040Z-D60	60 ns max pulse width
	8-Pin SOIC	0 to 70	DS1040Z-A15	15 ns max pulse width
	8-Pin SOIC	0 to 70	DS1040Z-A20	20 ns max pulse width
	8-Pin SOIC	0 to 70	DS1040Z-A32	32.5 ns max pulse width
	8-Pin SOIC	0 to 70	DS1040Z-B40	40 ns max pulse width
	8-Pin SOIC	0 to 70	DS1040Z-D70	70 ns max pulse width
<b>DS1044</b>	14-Pin DIP	0 to 70	DS1044-xxx	xxx = 5 to 25 ns
	14-Pin SOIC	0 to 70	DS1044R-xxx	xxx = 5 to 25 ns
	14-Pin SOIC T&R	0 to 70	DS1044R-xxx/T&R	xxx = 5 to 25 ns
<b>DS1045</b>	16-Pin DIP	0 to 70	DS1045-3	3 ns Steps
	16-Pin DIP	0 to 70	DS1045-4	4 ns Steps
	16-Pin DIP	0 to 70	DS1045-5	5 ns Steps
	16-Pin SOIC	0 to 70	DS1045S-3	3 ns Steps
	16-Pin SOIC	0 to 70	DS1045S-4	4 ns Steps
	16-Pin SOIC T&R	0 to 70	DS1045S-4/T&R	4ns Steps
	16-Pin SOIC	0 to 70	DS1045S-5	5 ns Steps
	PCB KIT	25	DS1075K	Programming Kit
	8-Pin DIP	0 to 70	DS1075M-060	Ref Frequency 60 MHz
<b>DS1050M</b>	8-pin DIP	-40 to +85	DS1050M-1	1.000KHz
	8-pin DIP	-40 to +85	DS1050M-10	10.000KHz
	8-pin DIP	-40 to +85	DS1050M-5	5.000KHz
<b>DS1050U</b>	8-pin $\mu$ SOP	-40 to +85	DS1050U-1	1.000KHz
	8-pin $\mu$ SOP	-40 to +85	DS1050U-10	10.000KHz
	8-pin $\mu$ SOP	-40 to +85	DS1050U-5	5.000KHz
<b>DS1050Z</b>	8-pin SOIC	-40 to +85	DS1050Z-1	1.000KHz
	8-pin SOIC	-40 to +85	DS1050Z-10	10.000KHz
	8-pin SOIC	-40 to +85	DS1050Z-5	5.000KHz

<b>DS1065T</b>	3-pin TO-92	0 to 70	DS1065T-100	50.000MHz
	3-pin TO-92	0 to 70	DS1065T-60	30.000MHz
	3-pin TO-92	0 to 70	DS1065T-66	33.333MHz
	3-pin TO-92	0 to 70	DS1065T-80	40.000MHz
<b>DS1073M</b>	8-pin DIP	-40 to +85	DS1073M-100	50.000MHz
	8-pin DIP	-40 to +85	DS1073M-60	30.000MHz
	8-pin DIP	-40 to +85	DS1073M-66	33.333MHz
	8-pin DIP	-40 to +85	DS1073M-80	40.000MHz
<b>DS1073Z</b>	8-pin SOIC	-40 to +85	DS1073Z-100	50.000MHz
	8-pin SOIC	-40 to +85	DS1073Z-270	2.703 MHz
	8-pin SOIC	-40 to +85	DS1073Z-60	30.000MHz
	8-pin SOIC	-40 to +85	DS1073Z-66	33.333MHz
	8-pin SOIC	-40 to +85	DS1073Z-701	4.545 MHz
	8-pin SOIC	-40 to +85	DS1073Z-80	40.000MHz
	8-pin SOIC	-40 to +85	DS1073Z-901	50.000KHz
<b>DS1075M</b>	8-pin DIP	0 to 70	DS1075M-080	40.000MHz
	8-pin DIP	-40 to +85	DS1075M-080N	40.000MHz
	8-pin DIP	0 to 70	DS1075M-100	50.000MHz
	8-pin DIP	0 to 70	DS1075M-60	30.000MHz
	8-pin DIP	-40 to +85	DS1075M-60N	30.000MHz
	8-pin DIP	0 to 70	DS1075M-66	33.333MHz
	8-pin DIP	-40 to +85	DS1075M-66N	33.333MHz
<b>DS1075Z</b>	8-pin SOIC	-40 to +85	DS1075M-100N	50.000MHz
	8-pin SOIC	0 to 70	DS1075Z-060	30.000MHz
	8-pin SOIC	-40 to +85	DS1075Z-060N	30.000MHz
	8-pin SOIC	0 to 70	DS1075Z-066	33.333MHz
	8-pin SOIC	-40 to +85	DS1075Z-066N	33.333MHz
	8-pin SOIC	0 to 70	DS1075Z-080	40.000MHz
	8-pin SOIC	-40 to +85	DS1075Z-080N	40.000MHz
	8-pin SOIC	0 to 70	DS1075Z-100	50.000MHz
	8-pin SOIC	0 to 70	DS1075Z-801	80.000MHz
	8-pin SOIC	0 to 70	DS1075Z-802	40.000KHz
	8-pin SOIC	0 to 70	DS1075Z-803	22.222 MHz
	<b>DS1077M</b>	8-pin DIP	0 to 70	DS1077M-100
8-pin DIP		0 to 70	DS1077M-120	60.000MHz
8-pin DIP		0 to 70	DS1077M-125	62.500MHz
8-pin DIP		0 to 70	DS1077M-133	66.666MHz
8-pin DIP		0 to 70	DS1077M-66	33.333MHz
<b>DS1077U</b>	8-pin $\mu$ SOP	0 to 70	DS1077U-100	50.000MHz

	8-pin $\mu$ SOP	0 to 70	DS1077U-120	60.000MHz
	8-pin $\mu$ SOP	0 to 70	DS1077U-125	62.500MHz
	8-pin $\mu$ SOP	0 to 70	DS1077U-133	66.666MHz
	8-pin $\mu$ SOP	0 to 70	DS1077U-66	33.333MHz
<b>DS1077Z</b>	8-pin SOIC	0 to 70	DS1077Z-100	50.000MHz
	8-pin SOIC	0 to 70	DS1077Z-120	60.000MHz
	8-pin SOIC	0 to 70	DS1077Z-125	62.500MHz
	8-pin SOIC	0 to 70	DS1077Z-133	66.666MHz
	8-pin SOIC	0 to 70	DS1077Z-66	33.333MHz
<b>DS1100</b>	8-Pin DIP	-40 to +85	DS1100M-xxx	xxx = 20 to 300
	8-Pin Micro SOP	-40 to +85	DS1100U-xxx	xxx = 20 to 300
	8-Pin Micro SOP T&R	-40 to +85	DS1100U-xxx/T&R	xxx = 20 to 300
	8-Pin SOIC	-40 to +85	DS1100Z-xxx	xxx = 20 to 300
	8-Pin SOIC T&R	-40 to +85	DS1100Z-xxx/T&R	xxx = 20 to 300
<b>DS1100L</b>	8-pin DIP	-40 to +85	DS1100LM-xxx	xxx = 20 to 300, 3V
	8-Pin Micro SOP	-40 to +85	DS1100LU-xxx	xxx = 20 to 300, 3V
	8-Pin Micro SOP T&R	-40 to +85	DS1100LU-xxx/T&R	xxx = 20 to 300, 3V
	8-Pin SOIC	-40 to +85	DS1100LZ-xxx	xxx = 20 to 300, 3V
	8-Pin SOIC T&R	-40 to +85	DS1100LZ-xxx/T&R	xxx = 20 to 300, 3V
<b>DS1135</b>	8-pin DIP	-40 to +85	DS1135M-xxx	xxx = 6 to 30
	8-Pin Micro SOP	-40 to +85	DS1135U-xxx	xxx = 6 to 30
	8-Pin Micro SOP T&R	-40 to +85	DS1135U-xxx/T&R	xxx = 6 to 30
	8-Pin SOIC	-40 to +85	DS1135Z-xxx	xxx = 6 to 30
	8-Pin SOIC T&R	-40 to +85	DS1135Z-xxx/T&R	xxx = 6 to 30
<b>DS1210</b>	8 Pin DIP 300mil	0C to +70C	DS1210	
	8 Pin DIP 300mil	-40C to +85C	DS1210N	
	16 Pin SO 300mil	0C to +70C	DS1210S	
	16 Pin SO 300mil	-40C to +85C	DS1210SN	
<b>DS1211</b>	20 Pin DIP 300mil	0C to +70C	DS1211	
	20 Pin DIP 300mil	-40C to +85C	DS1211N	
	20 Pin SO 300mil	0C to +70C	DS1211S	
	20 Pin SO 300mil	-40C to +85C	DS1211SN	
<b>DS1212</b>	28 Pin DIP 600mil	0C to +70C	DS1212	
	28 Pin DIP 600mil	-40C to +85C	DS1212N	
	28 Pin PLCC	0C to +70C	DS1212Q	
	28 Pin PLCC	-40C to +85C	DS1212QN	
<b>DS1213B</b>	Socket	0 to 70	DS1213B	Holds 2KB/8KB SRAM
<b>DS1213C</b>	Socket	0 to 70	DS1213C	Holds 32KB SRAM

<b>DS1213D</b>	Socket	0 to 70	DS1213D	Holds 128KB SRAM
<b>DS1216B</b>	28-Pin Socket	0 to 70	DS1216B	16K/64K RAM
<b>DS1216C</b>	28-Pin Socket	0 to 70	DS1216C	64K/256K RAM
<b>DS1216D</b>	32-Pin Socket	0 to 70	DS1216D	256K/1M RAM, 5 volt
	32-Pin Socket	0 to 70	DS1216D-33	256K/1M RAM, 3.3 volt
<b>DS1216E</b>	28-Pin Socket	0 to 70	DS1216E	64K/256K ROM, 5 volt
	28-Pin Socket	0 to 70	DS1216E-3	64K/256K ROM, 3 volt
<b>DS1216F</b>	32-Pin Socket	0 to 70	DS1216F	64K/256K/1M ROM, 5 volt
	32-Pin Socket	0 to 70	DS1216F-3	64K/256K/1M ROM, 3 volt
	32-Pin Socket	0 to 70	DS1216H	4M RAM, 5 volt
	32-Pin Socket	0 to 70	DS1216H-33	4M RAM, 3.3 volt
<b>DS1216F-3</b>	32-Pin Socket	0 to 70	DS1216F-3	64/256K/1M ROM, 3 volt
<b>DS1217A</b>		0 to 70	DS1217A 128K-25	128K Bit Density
		0 to 70	DS1217A 16K-25	16K Bit Density
		0 to 70	DS1217A 192K-25	192K Bit Density
		0 to 70	DS1217A 256K-25	256K Bit Density
		0 to 70	DS1217A 64K-25	64K Bit Density
<b>DS1217M</b>		0 to 70	DS1217M 1-15	1 Megabit Density
		0 to 70	DS1217M 2-25	2 Megabit Density
		0 to 70	DS1217M 3-25	3 Megabit Density
		0 to 70	DS1217M 4-25	4 Megabit Density
		0 to 70	DS1217M 512-25	512K Bit Density
<b>DS1218</b>	8 Pin DIP 300mil	0C to +70C	DS1218	
	8 Pin SO 150mil	0C to +70C	DS1218S	
<b>DS1220AB/AD</b>	24-Pin Encap. DIP	0 to 70	DS1220AB-100	5% tol. 100 ns
	24-Pin Encap. DIP	-40 to +85	DS1220AB-100-IND	5% tol. 100 ns
	24-Pin Encap. DIP	0 to 70	DS1220AB-120	5% tol. 120 ns
	24-Pin Encap. DIP	0 to 70	DS1220AB-150	5% tol. 150 ns
	24-Pin Encap. DIP	0 to 70	DS1220AB-200	5% tol. 200 ns
	24-Pin Encap. DIP	-40 to +85	DS1220AB-200-IND	5% tol. 200 ns
	24-Pin Encap. DIP	0 to 70	DS1220AD-100	10% tol. 100 ns
	24-Pin Encap. DIP	-40 to +85	DS1220AD-100-IND	10% tol. 100 ns
	24-Pin Encap. DIP	0 to 70	DS1220AD-120	10% tol. 120 ns
	24-Pin Encap. DIP	0 to 70	DS1220AD-150	10% tol. 150 ns
	24-Pin Encap. DIP	0 to 70	DS1220AD-200	10% tol. 200 ns
	24-Pin Encap. DIP	-40 to +85	DS1220AD-200-IND	10% tol. 200 ns
<b>DS1220Y</b>	24-Pin Encap. DIP	0 to 70	DS1220Y-100	10% tol. 100 ns
	24-Pin Encap. DIP	-40 to +85	DS1220Y-100-IND	10% tol. 100 ns
	24-Pin Encap. DIP	0 to 70	DS1220Y-120	10% tol. 120 ns
	24-Pin Encap. DIP	0 to 70	DS1220Y-150	10% tol. 150 ns

	24-Pin Encap. DIP	0 to 70	DS1220Y-200	10% tol. 200 ns
	24-Pin Encap. DIP	-40 to +85	DS1220Y-200-IND	10% tol. 200 ns
<b>DS1221</b>	16 Pin DIP 300mil	0C to +70C	DS1221	
	16 Pin DIP 300mil	-40C to +85C	DS1221N	
	16 Pin SO 300mil	0C to +70C	DS1221S	
	16 Pin SO 300mil	-40C to +85C	DS1221SN	
<b>DS1222</b>	14 Pin DIP 300mil	0C to +70C	DS1222	
	14 Pin DIP 300mil	-40C to +85C	DS1222N	
	16 Pin SO 300mil	0C to +70C	DS1222S	
	16 Pin SO 300mil	-40C to +85C	DS1222SN	
<b>DS1225AB/AD</b>	28-Pin Encap. DIP	0 to 70	DS1225AB-150	5% tol. 150 ns
	28-Pin Encap. DIP	-40 to +85	DS1225AB-150-IND	5% tol. 150 ns
	28-Pin Encap. DIP	0 to 70	DS1225AB-170	5% tol. 170 ns
	28-Pin Encap. DIP	0 to 70	DS1225AB-200	5% tol. 200 ns
	28-Pin Encap. DIP	-40 to +85	DS1225AB-200-IND	5% tol. 200 ns
	28-Pin Encap. DIP	0 to 70	DS1225AB-85	5% tol. 85 ns
	28-Pin Encap. DIP	0 to 70	DS1225AD-150	10% tol. 150 ns
	28-Pin Encap. DIP	-40 to +85	DS1225AD-150-IND	10% tol. 150 ns
	28-Pin Encap. DIP	0 to 70	DS1225AD-170	10% tol. 170 ns
	28-Pin Encap. DIP	0 to 70	DS1225AD-200	10% tol. 200 ns
	28-Pin Encap. DIP	-40 to +85	DS1225AD-200-IND	10% tol. 200 ns
	28-Pin Encap. DIP	0 to 70	DS1225AD-85	10% tol. 85 ns
<b>DS1225Y</b>	28-Pin Encap. DIP	0 to 70	DS1225Y-150	10% tol. 150 ns
	28-Pin Encap. DIP	-40 to +85	DS1225Y-150-IND	10% tol. 150 ns
	28-Pin Encap. DIP	0 to 70	DS1225Y-170	10% tol. 170 ns
	28-Pin Encap. DIP	0 to 70	DS1225Y-200	10% tol. 200 ns
	28-Pin Encap. DIP	-40 to +85	DS1225Y-200-IND	10% tol. 200 ns
<b>DS1230W</b>	28-Pin Encap. DIP	0 to 70	DS1230W-100	3.3V 100 ns
	28-Pin Encap. DIP	0 to 70	DS1230W-150	3.3V 150 ns
	34-Pin PowerCap	0 to 70	DS1230WP-100	3.3V 100 ns
	34-Pin PowerCap	0 to 70	DS1230WP-150	3.3V 150 ns
<b>DS1230Y/AB</b>	28-Pin Encap. DIP	0 to 70	DS1230AB-100	5% tol. 100 ns
	28-Pin Encap. DIP	0 to 70	DS1230AB-120	5% tol. 120 ns
	28-Pin Encap. DIP	-40 to +85	DS1230AB-120-IND	5% tol. 120 ns
	28-Pin Encap. DIP	0 to 70	DS1230AB-150	5% tol. 150 ns
	28-Pin Encap. DIP	0 to 70	DS1230AB-200	5% tol. 200 ns
	28-Pin Encap. DIP	-40 to +85	DS1230AB-200-IND	5% tol. 200 ns
	28-Pin Encap. DIP	0 to 70	DS1230AB-70	5% tol. 70 ns
	28-Pin Encap. DIP	-40 to +85	DS1230AB-70-IND	5% tol. 70 ns
	28-Pin Encap. DIP	0 to 70	DS1230AB-85	5% tol. 85 ns

	34-Pin PowerCap	0 to 70	DS1230ABP-100	5% tol. 100 ns
	34-Pin PowerCap	0 to 70	DS1230ABP-70	5% tol. 70 ns
	34-Pin PowerCap	-40 to +85	DS1230ABP-70-IND	5% tol. 70 ns
	28-Pin Encap. DIP	0 to 70	DS1230Y-100	10% tol. 100 ns
	28-Pin Encap. DIP	0 to 70	DS1230Y-120	10% tol. 120 ns
	28-Pin Encap. DIP	-40 to +85	DS1230Y-120-IND	10% tol. 120 ns
	28-Pin Encap. DIP	0 to 70	DS1230Y-150	10% tol. 150 ns
	28-Pin Encap. DIP	0 to 70	DS1230Y-200	10% tol. 200 ns
	28-Pin Encap. DIP	-40 to +85	DS1230Y-200-IND	10% tol. 200 ns
	28-Pin Encap. DIP	0 to 70	DS1230Y-70	10% tol. 70 ns
	28-Pin Encap. DIP	-40 to +85	DS1230Y-70-IND	10% tol. 70 ns
	28-Pin Encap. DIP	0 to 70	DS1230Y-85	10% tol. 85 ns
	34-Pin PowerCap	0 to 70	DS1230YP-100	10% tol. 100 ns
	34-Pin PowerCap	0 to 70	DS1230YP-70	10% tol. 70 ns
	34-Pin PowerCap	-40 to +85	DS1230YP-70-IND	10% tol. 70 ns
<b>DS1231</b>	8 Pin DIP 300mil	0C to +70C	DS1231-20	200mV Hysteresis
	8 Pin DIP 300mil	-40C to +85C	DS1231-20N	200mV Hysteresis
	8 Pin DIP 300mil	0C to +70C	DS1231-35	350mV Hysteresis
	8 Pin DIP 300mil	-40C to +85C	DS1231-35N	350mV Hysteresis
	8 Pin DIP 300mil	0C to +70C	DS1231-50	500mV Hysteresis
	8 Pin DIP 300mil	-40C to +85C	DS1231-50N	500mV Hysteresis
	16 Pin SO 300mil	0C to +70C	DS1231S-20	200mV Hysteresis
	16 Pin SO 300mil	-40C to +85C	DS1231S-20N	200mV Hysteresis
	16 Pin SO 300mil	0C to +70C	DS1231S-35	350mV Hysteresis
	16 Pin SO 300mil	0C to +70C	DS1231S-50	500mV Hysteresis
	16 Pin SO 300mil	-40C to +85C	DS1231S-50N	500mV Hysteresis
<b>DS1232</b>	8 Pin DIP 300mil	0C to +70C	DS1232	
	8 Pin DIP 300mil	-40C to +85C	DS1232N	
	16 Pin SO 300mil	0C to +70C	DS1232S	
	16 Pin SO 300mil	-40C to +85C	DS1232SN	
<b>DS1232LP</b>	8 Pin DIP 300mil	0C to +70C	DS1232LP	
	8 Pin DIP 300mil	-40C to +85C	DS1232LPN	
	16 Pin SO 300mil	0C to +70C	DS1232LPS	
	8 Pin SO 150mil	0C to +70C	DS1232LPS-2	
	16 Pin SO 300mil	-40C to +85C	DS1232LPSN	
	8 Pin SO 150mil	-40C to +85C	DS1232LPSN-2	
	$\mu$ -SOP	0C to +70C	DS1232LPU	
	FlipChipPkg/T&R	0C to +70C	DS1232LPX/T&R	
<b>DS1233</b>	TO-92	-40C to +85C	DS1233-10	5V-10% Monitor
	TO-92	-40C to +85C	DS1233-15	5V-15% Monitor
	TO-92	-40C to +85C	DS1233-5	5V-5% Monitor
	SOT-223	-40C to +85C	DS1233Z-10	5V-10% Monitor

	SOT-223	-40C to +85C	DS1233Z-15	5V-15% Monitor
	SOT-223	-40C to +85C	DS1233Z-5	5V-5% Monitor
<b>DS1233A</b>	TO-92	-40C to +85C	DS1233A-10	3.3V-10% Monitor
	TO-92	-40C to +85C	DS1233A-15	3.3V-15% Monitor
	SOT-223	-40C to +85C	DS1233AZ-10	3.3V-10% Monitor
	SOT-223	-40C to +85C	DS1233AZ-15	3.3V-15% Monitor
<b>DS1233D</b>	TO-92	-40C to +85C	DS1233D-10	5V-10% Monitor
	TO-92	-40C to +85C	DS1233D-15	5V-15% Monitor
	TO-92	-40C to +85C	DS1233D-5	5V-5% Monitor
	SOT-223	-40C to +85C	DS1233DZ-10	5V-10% Monitor
	SOT-223	-40C to +85C	DS1233DZ-15	5V-15% Monitor
	SOT-223	-40C to +85C	DS1233DZ-5	5V-5% Monitor
<b>DS1233M</b>	TO-92	-40C to +85C	DS1233M-3	3.3V-15% Monitor
	TO-92	-40C to +85C	DS1233M-5	5V-10% Monitor
	TO-92	-40C to +85C	DS1233M-55	5V-5% Monitor
	8 Pin SO 150mil	-40C to +85C	DS1233MS-3	3.3V-15% Monitor
	8 Pin SO 150mil	-40C to +85C	DS1233MS-5	5V-10% Monitor
	8 Pin SO 150mil	-40C to +85C	DS1233MS-55	5V-5% Monitor
<b>DS1236</b>	16 Pin DIP 300mil	0C to +70C	DS1236-10	5V-10% Monitor
	16 Pin DIP 300mil	0C to +70C	DS1236-5	5V-5% Monitor
	16 Pin DIP 300mil	-40C to +85C	DS1236N-10	5V-10% Monitor
	16 Pin DIP 300mil	-40C to +85C	DS1236N-5	5V-5% Monitor
	16 Pin SO 300mil	0C to +70C	DS1236S-10	5V-10% Monitor
	16 Pin SO 300mil	-40C to +85C	DS1236S-10N	5V-10% Monitor
	16 Pin SO 300mil	0C to +70C	DS1236S-5	5V-5% Monitor
	16 Pin SO 300mil	-40C to +85C	DS1236S-5N	5V-5% Monitor
<b>DS1236A</b>	16 Pin DIP 300mil	0C to +70C	DS1236A-10	5V-10% Monitor
	16 Pin DIP 300mil	-40C to +85C	DS1236A-10N	5V-10% Monitor
	16 Pin DIP 300mil	0C to +70C	DS1236A-5	5V-5% Monitor
	16 Pin DIP 300mil	-40C to +85C	DS1236A-5N	5V-5% Monitor
	16 Pin SO 300mil	0C to +70C	DS1236AS-10	5V-10% Monitor
	16 Pin SO 300mil	-40C to +85C	DS1236AS-10N	5V-10% Monitor
	16 Pin SO 300mil	0C to +70C	DS1236AS-5	5V-5% Monitor
	16 Pin SO 300mil	-40C to +85C	DS1236AS-5N	5V-5% Monitor
<b>DS1238</b>	16 Pin DIP 300mil	0C to +70C	DS1238-10	5V-10% Monitor
	16 Pin DIP 300mil	-40C to +85C	DS1238-10N	5V-10% Monitor
	16 Pin DIP 300mil	0C to +70C	DS1238-5	5V-5% Monitor
	16 Pin SO 300mil	0C to +70C	DS1238S-10	5V-10% Monitor
	16 Pin SO 300mil	0C to +70C	DS1238S-5	5V-5% Monitor

<b>DS1238A</b>	16 Pin DIP 300mil	0C to +70C	DS1238A-10	5V-10% Monitor	
	16 Pin DIP 300mil	-40C to +85C	DS1238A-10N	5V-10% Monitor	
	16 Pin DIP 300mil	0C to +70C	DS1238A-5	5V-5% Monitor	
	16 Pin SO 300mil	0C to +70C	DS1238AS-10	5V-10% Monitor	
	16 Pin SO 300mil	0C to +70C	DS1238AS-5	5V-5% Monitor	
<b>DS1239</b>	16 Pin DIP 300mil	0C to +70C	DS1239-10	5V-10% Monitor	
	16 Pin DIP 300mil	0C to +70C	DS1239-5	5V-5% Monitor	
	16 Pin SO 300mil	0C to +70C	DS1239S-10	5V-10% Monitor	
	16 Pin SO 300mil	0C to +70C	DS1239S-5	5V-5% Monitor	
	16 Pin SO 300mil	-40C to +85C	DS1239S-5N	5V-5% Monitor	
<b>DS1243Y</b>	28-Pin Encap. DIP	0 to 70	DS1243Y	200 ns	
	28-Pin Encap. DIP	0 to 70	DS1243Y-120	120 ns	
	28-Pin Encap. DIP	0 to 70	DS1243Y-150	150 ns	
<b>DS1244</b>	28-Pin Encap. DIP	0 to 70	DS1244W-120	3.3 volt, 120 ns	
	28-Pin Encap. DIP	0 to 70	DS1244W-150	3.3 volt, 150 ns	
	34-Pin PowerCap	0 to 70	DS1244WP-120	3.3 volt 120 ns	
	34-Pin PowerCap	0 to 70	DS1244WP-150	3.3 volt, 150 ns	
	28-Pin Encap. DIP	0 to 70	DS1244Y	5 volt, 200 ns	
	28-Pin Encap. DIP	0 to 70	DS1244Y-100	5 volt, 100 ns	
	28-Pin Encap. DIP	0 to 70	DS1244Y-120	5 volt, 120 ns	
	28-Pin Encap. DIP	0 to 70	DS1244Y-150	5 volt, 150 ns	
	28-Pin Encap. DIP	0 to 70	DS1244Y-70	5 volt, 70 ns	
	34-Pin PowerCap	0 to 70	DS1244YP-100	5 volt, 100 ns	
	34-Pin PowerCap	0 to 70	DS1244YP-70	5 volt, 70 ns	
	<b>DS1245W</b>	32-Pin Encap. DIP	0 to 70	DS1245W-100	3.3V 100 ns
		32-Pin Encap. DIP	0 to 70	DS1245W-150	3.3V 150 ns
34-Pin PowerCap		0 to 70	DS1245WP-100	3.3V 100 ns	
34-Pin PowerCap		0 to 70	DS1245WP-150	3.3V 150 ns	
<b>DS1245Y/AB</b>	32-Pin Encap. DIP	0 to 70	DS1245AB-100	5% tol. 100 ns	
	32-Pin Encap. DIP	0 to 70	DS1245AB-120	5% tol. 120 ns	
	32-Pin Encap. DIP	-40 to +85	DS1245AB-120-IND	5% tol. 120 ns	
	32-Pin Encap. DIP	0 to 70	DS1245AB-70	5% tol. 70 ns	
	32-Pin Encap. DIP	-40 to +85	DS1245AB-70-IND	5% tol. 70 ns	
	32-Pin Encap. DIP	0 to 70	DS1245AB-85	5% tol. 85 ns	
	34-Pin PowerCap	0 to 70	DS1245ABP-100	5% tol. 100 ns	
	34-Pin PowerCap	0 to 70	DS1245ABP-70	5% tol. 70 ns	
	34-Pin PowerCap	-40 to +85	DS1245ABP-70-IND	5% tol. 70 ns	
	32-Pin Encap. DIP	0 to 70	DS1245Y-100	10% tol. 100 ns	
	32-Pin Encap. DIP	0 to 70	DS1245Y-120	10% tol. 120 ns	
	32-Pin Encap. DIP	-40 to +85	DS1245Y-120-IND	10% tol. 120 ns	
	32-Pin Encap. DIP	0 to 70	DS1245Y-70	10% tol. 70 ns	



	32-Pin Encap. DIP	-40 to +85	DS1245Y-70-IND	10% tol. 70 ns
	32-Pin Encap. DIP	0 to 70	DS1245Y-85	10% tol. 85 ns
	34-Pin PowerCap	0 to 70	DS1245YP-100	10% tol. 100 ns
	34-Pin PowerCap	0 to 70	DS1245YP-70	10% tol. 70 ns
	34-Pin PowerCap	-40 to +85	DS1245YP-70-IND	10% tol. 70 ns
<b>DS1248</b>	32-Pin Encap. DIP	0 to 70	DS1248W-120	3.3 volt, 120 ns
	32-Pin Encap. DIP	0 to 70	DS1248W-150	3.3 volt, 150 ns
	34-Pin PowerCap	0 to 70	DS1248WP-120	3.3 volt 120 ns
	34-Pin PowerCap	0 to 70	DS1248WP-150	3.3 volt, 150 ns
	32-Pin Encap. DIP	0 to 70	DS1248Y-100	5 volt, 100 ns
	32-Pin Encap. DIP	0 to 70	DS1248Y-120	5 volt, 120 ns
	32-Pin Encap. DIP	0 to 70	DS1248Y-150	5 volt,150 ns
	32-Pin Encap. DIP	0 to 70	DS1248Y-200	5 volt, 200 ns
	32-Pin Encap. DIP	0 to 70	DS1248Y-70	5 volt, 70 ns
	34-Pin PowerCap	0 to 70	DS1248YP-100	5 volt, 100 ns
	34-Pin PowerCap	0 to 70	DS1248YP-70	5 volt, 70 ns
<b>DS1249</b>	32-Pin Encap. Dip	0 to 70	DS1249AB-100	5% tol. 100 ns
	32-Pin Encap. Dip	0 to 70	DS1249AB-70	5% tol. 70 ns
	32-Pin Encap. Dip	-40 to +85	DS1249AB-70-IND	5% tol. 70 ns
	32-Pin Encap. DIP	0 to 70	DS1249Y-100	10% tol. 100 ns
	32-Pin Encap. DIP	0 to 70	DS1249Y-70	10% tol. 70 ns
	32-Pin Encap. DIP	-40 to +85	DS1249Y-70-IND	10% tol. 70 ns
<b>DS1250W</b>	32-Pin Encap DIP	0 to 70	DS1250W-100	3.3V 100 ns
	32-Pin Encap DIP	0 to 70	DS1250W-150	3.3V 150 ns
	34-Pin PowerCap	0 to 70	DS1250WP-100	3.3V 100 ns
	34-Pin PowerCap	0 to 70	DS1250WP-150	3.3V 150 ns
<b>DS1250Y/AB</b>	32-Pin Encap. DIP	0 to 70	DS1250AB-100	5% tol. 100 ns
	32-Pin Encap. DIP	0 to 70	DS1250AB-70	5% tol. 70 ns
	32-Pin Encap. DIP	-40 to +85	DS1250AB-70-IND	5% tol. 70 ns
	34-Pin PowerCap	0 to 70	DS1250ABP-100	5% tol. 100 ns
	34-Pin PowerCap	0 to 70	DS1250ABP-70	5% tol. 70 ns
	34-Pin PowerCap	-40 to +85	DS1250ABP-70-IND	5% tol. 70 ns
	32-Pin Encap. DIP	0 to 70	DS1250Y-100	10% tol. 100 ns
	32-Pin Encap. DIP	0 to 70	DS1250Y-70	10% tol. 70 ns
	32-Pin Encap. DIP	-40 to +85	DS1250Y-70-IND	10% tol. 70 ns
	34-Pin PowerCap	0 to 70	DS1250YP-100	10% tol. 100 ns
	34-Pin PowerCap	0 to 70	DS1250YP-70	10% tol. 70 ns
	34-Pin PowerCap	-40 to +85	DS1250YP-70-IND	10% tol. 70 ns
<b>DS1251</b>	32-Pin Encap. DIP	0 to 70	DS1251W-120	3.3 volt, 120 ns
	32-Pin Encap. DIP	0 to 70	DS1251W-150	3.3 volt, 150 ns
	34-Pin PowerCap	0 to 70	DS1251WP-120	3.3 volt, 120 ns

	34-Pin PowerCap	0 to 70	DS1251WP-150	3.3 volt, 150 ns
	32-Pin Encap. DIP	0 to 70	DS1251Y-100	5 volt, 100 ns
	32-Pin Encap. DIP	0 to 70	DS1251Y-120	5 volt, 120 ns
	32-Pin Encap. DIP	0 to 70	DS1251Y-150	5 volt, 150 ns
	32-Pin Encap. DIP	0 to 70	DS1251Y-70	5 volt, 70 ns
	34-Pin PowerCap	0 to 70	DS1251YP-100	5 volt, 100 ns
	34-Pin PowerCap	0 to 70	DS1251YP-70	5 volt, 70 ns
<b>DS1254YB</b>	BGA Module	0 to 70	DS1254YB-100	
<b>DS1258Y/AB</b>	40-Pin Encap. DIP	0 to 70	DS1258AB-100	5% tol. 100 ns
	40-Pin Encap. DIP	0 to 70	DS1258AB-70	5% tol. 70 ns
	40-Pin Encap. DIP	0 to 70	DS1258Y-100	10% tol. 100 ns
	40-Pin Encap. DIP	0 to 70	DS1258Y-70	10% tol. 70 ns
<b>DS1259</b>	16 Pin DIP 300mil	0C to +70C	DS1259	
	16 Pin DIP 300mil	-40C to +85C	DS1259N	
	16 Pin SO 300mil	0C to +70C	DS1259S	
	16 Pin SO 300mil	-40C to +85C	DS1259SN	
<b>DS1260</b>	Module	0C to +70C	DS1260-100	1000mAHr
	Module	0C to +70C	DS1260-25	250mAHr
	Module	0C to +70C	DS1260-50	500mAHr
<b>DS1267</b>	14-Pin DIP	-40 to +85	DS1267-010	10K ohms
	14-Pin DIP	-40 to +85	DS1267-050	50K ohms
	14-Pin DIP	-40 to +85	DS1267-100	100K ohms
	20-Pin TSSOP	-40 to +85	DS1267E-010	10K ohms
	20-Pin TSSOP/T&R	-40 to +85	DS1267E-010/T&R	10K ohms
	20-Pin TSSOP	-40 to +85	DS1267E-050	50K ohms
	20-Pin TSSOP/T&R	-40 to +85	DS1267E-050/T&R	50K ohms
	20-Pin TSSOP	-40 to +85	DS1267E-100	100K ohms
	20-Pin TSSOP/T&R	-40 to +85	DS1267E-100/T&R	100K ohms
	16-Pin SOIC	-40 to +85	DS1267S-010	10K ohms
	16-Pin SOIC/T&R	-40 to +85	DS1267S-010/T&R	10K ohms
	16-Pin SOIC	-40 to +85	DS1267S-050	50K ohms
	16-Pin SOIC/T&R	-40 to +85	DS1267S-050/T&R	50K ohms
	16-Pin SOIC	-40 to +85	DS1267S-100	100K ohms
	16-Pin SOIC/T&R	-40 to +85	DS1267S-100/T&R	100K ohms
<b>DS1280</b>	44-Pin Flat Pack	0 to 70	DS1280FP-44	
	44-Pin TQFP	0 to 70	DS1280T-Q44	
<b>DS1284</b>	28-Pin DIP	0 to 70	DS1284	
	28-Pin DIP	-40 to +85	DS1284N	
	28-Pin PLCC	0 to 70	DS1284Q	

	28-Pin PLCC	-40 to +85	DS1284QN
<b>DS1286</b>	28-Pin Encap. DIP	0 to 70	DS1286
<b>DS12885</b>	24-Pin DIP	0 to 70	DS12885
	24-Pin DIP	-40 to +85	DS12885N
	28-Pin PLCC	0 to 70	DS12885Q
	28-Pin PLCC	-40 to +85	DS12885QN
	24-Pin SOIC	0 to 70	DS12885S
	24-Pin SOIC	-40 to +85	DS12885SN
	32-Pin TQFP	0 to 70	DS12885T
	32-Pin TQFP	-40 to +85	DS12885TN
<b>DS12887</b>	24-Pin Encap. DIP	0 to 70	DS12887
<b>DS12887A</b>	24-Pin Encap. DIP	0 to 70	DS12887A
<b>DS12C887</b>	24-Pin Encap. DIP	0 to 70	DS12C887
<b>DS12C887A</b>	24-Pin Encap. DIP	0 to 70	DS12C887A
<b>DS1302</b>	8-Pin DIP	0 to 70	DS1302
	8-Pin DIP	-40 to +85	DS1302N
	8-Pin SOIC	0 to 70	DS1302S
	16-Pin SOIC	0 to 70	DS1302S-16
	8-Pin SOIC	-40 to +85	DS1302SN
	16-Pin SOIC	-40 to +85	DS1302SN-16
	8-Pin SOIC	0 to 70	DS1302Z
	8-Pin SOIC	-40 to +85	DS1302ZN
<b>DS1305</b>	16-Pin DIP	0 to 70	DS1305
	20-Pin TSSOP	0 to 70	DS1305E
	20-Pin TSSOP	-40 to +85	DS1305EN
	16-Pin DIP	-40 to +85	DS1305N
<b>DS1306</b>	16-Pin DIP	0 to 70	DS1306
	20-Pin TSSOP	0 to 70	DS1306E
	20-Pin TSSOP	-40 to +85	DS1306EN
	16-Pin DIP	-40 to +85	DS1306N
<b>DS1307</b>	8-Pin DIP	0 to 70	DS1307
	8-Pin DIP	-45 to +85	DS1307N
	8-Pin SOIC	0 to 70	DS1307Z
	8-Pin SOIC	-40 to +85	DS1307ZN
<b>DS1312</b>	8 Pin DIP 300mil	-40C to +85C	DS1312
	20 Pin TSSOP	-40C to +85C	DS1312E
	16 Pin SO 300mil	-40C to +85C	DS1312S
	8 Pin SO 150mil	-40C to +85C	DS1312S-2

<b>DS1312D</b>	8 Pin DIP 300mil	-40C to +85C	DS1312D	
	16 Pin SO 300mil	-40C to +85C	DS1312DS	
	8 Pin SO 150mil	-40C to +85C	DS1312DS-2	
	μ-SOP	-40C to +85C	DS1312DU	
<b>DS1314</b>	8 Pin DIP 300mil	-40C to +85C	DS1314	
	20 Pin TSSOP	-40C to +85C	DS1314E	
	16 Pin SO 300mil	-40C to +85C	DS1314S	
	8 Pin SO 150mil	-40C to +85C	DS1314S-2	
<b>DS1314D</b>	8 Pin DIP 300mil	-40C to +85C	DS1314D	
	8 Pin SO 150mil	-40C to +85C	DS1314DS	
	μ-SOP	-40C to +85C	DS1314DU	
<b>DS1315</b>	16-Pin DIP	0 to 70	DS1315-33	3.3 volt
	16-Pin DIP	0 to 70	DS1315-5	5 volt
	16-Pin TSSOP	0 to 70	DS1315E-33	3.3 volt
	16-Pin TSSOP	0 to 70	DS1315E-5	5 volt
	16-Pin TSSOP	-40 to +85	DS1315EN-33	3.3 volt
	16-Pin TSSOP	-40 to +85	DS1315EN-5	5 volt
	16-Pin DIP	-40 to +85	DS1315N-33	3.3 volt
	16-Pin DIP	-40 to +85	DS1315N-5	5 volt
	16-Pin SOIC	0 to 70	DS1315S-33	3.3 volt
	16-Pin SOIC	0 to 70	DS1315S-5	5 volt
	16-Pin SOIC	-40 to +85	DS1315SN-33	3.3 volt
	16-Pin SOIC	-40 to +85	DS1315SN-5	5 volt
	<b>DS1321</b>	16 Pin DIP 300mil	-40C to +85C	DS1321
20 Pin TSSOP		-40C to +85C	DS1321E	
16 Pin SO 300mil		-40C to +85C	DS1321S	
<b>DS1330W</b>	34-Pin PowerCap	0 to 70	DS1330WP-100	3.3V 100 ns
	34-Pin PowerCap	0 to 70	DS1330WP-150	3.4V 150 ns
<b>DS1330Y</b>	34-Pin PowerCap	0 to 70	DS1330ABP-100	5% tol. 100 ns
	34-Pin PowerCap	0 to 70	DS1330ABP-70	5% tol. 70 ns
	34-Pin PowerCap	-40 to +85	DS1330ABP-70-IND	5% tol. 70 ns
	34-Pin PowerCap	0 to 70	DS1330YP-100	10% tol. 100 ns
	34-Pin PowerCap	0 to 70	DS1330YP-70	10% tol. 70 ns
	34-Pin PowerCap	-40 to +85	DS1330YP-70-IND	10% tol. 70 ns
<b>DS1336</b>	16 Pin DIP 300mil	0C to +70C	DS1336	
	16 Pin DIP 300mil	-40C to +85C	DS1336N	
	16 Pin SO 300mil	0C to +70C	DS1336S	
	16 Pin SO 300mil	-40C to +85C	DS1336SN	

<b>DS1345W</b>	34-Pin PowerCap	0 to 70	DS1345WP-100	3.3V 100 ns
	34-Pin PowerCap	0 to 70	DS1345WP-150	3.3V 150 ns
<b>DS1345Y/AB</b>	34-Pin PowerCap	0 to 70	DS1345ABP-100	5% tol. 100 ns
	34-Pin PowerCap	0 to 70	DS1345ABP-70	5% tol. 70 ns
	34-Pin PowerCap	-40 to +85	DS1345ABP-70-IND	5% tol. 70 ns
	34-Pin PowerCap	0 to 70	DS1345YP-100	10% tol. 100 ns
	34-Pin PowerCap	0 to 70	DS1345YP-70	10% tol. 70 ns
	34-Pin PowerCap	-40 to +85	DS1345YP-70-IND	10% tol. 70 ns
<b>DS1350W</b>	34-Pin PowerCap	0 to 70	DS1350WP-100	3.3V 100 ns
	34-Pin PowerCap	0 to 70	DS1350WP-150	3.3V 150 ns
<b>DS1350Y/AB</b>	34-Pin PowerCap	0 to 70	DS1350ABP-100	5% tol. 100 ns
	34-Pin PowerCap	0 to 70	DS1350ABP-70	5% tol. 70 ns
	34-Pin PowerCap	-40 to +85	DS1350ABP-70-IND	5% tol. 70 ns
	34-Pin PowerCap	0 to 70	DS1350YP-100	10% tol. 100 ns
	34-Pin PowerCap	0 to 70	DS1350YP-70	10% tol. 70 ns
	34-Pin PowerCap	-40 to +85	DS1350YP-70-IND	10% tol. 70 ns
<b>DS1384</b>	44-Pin QFP	0 to 70	DS1384FP-120	
<b>DS1386</b>	32-Pin Encap. DIP	0 to 70	DS1386-32-120	32K x 8 RAM; 120 ns
	32-Pin Encap. DIP	0 to 70	DS1386-32-150	32K x 8 RAM; 150 ns
	32-Pin Encap. DIP	0 to 70	DS1386-8-120	8K x 8 RAM; 120 ns
	32-Pin Encap. DIP	0 to 70	DS1386-8-150	8K x 8 RAM; 150 ns
	34-Pin PowerCap	0 to 70	DS1386P-32-120	120 ns
	34-Pin PowerCap	0 to 70	DS1386P-32-150	150 ns
	34-Pin PowerCap	0 to 70	DS1386P-8-120	120 ns
	34-Pin PowerCap	0 to 70	DS1386P-8-150	150 ns
<b>DS1401</b>			DS1401-04	4 Ports
<b>DS1402</b>	Cable		DS1402-BB3	Two Buttons, 0.9m (3 feet)
	Cable		DS1402-BB8	Two Buttons, 2.4m (8 feet)
	Cable		DS1402-BP3	Button/Probe, 0.9m (3 feet)
	Cable		DS1402-BP8	Button/Probe, 2.4m (8 feet)
	Cable		DS1402-BR8	Button/RJ-11, 2.4m (8 feet)
	Cable		DS1402D-DB8	Two Blue Dots/Button, 2.4m (8 feet)
	Cable		DS1402D-DR8	Two Blue Dots/RJ-11, 2.4m (8 feet)
	Cable		DS1402-RP3	RJ-11/Probe, 0.9m (3 feet)
	Cable		DS1402-RP8	RJ-11/Probe, 2.4m (8 feet)
	Cable		DS1402-RR8	Two RJ-11, 2.4m (8 feet)
<b>DS1404</b>		DS1404	Black	

<b>DS1410D</b>	Adapter	0 to 70	DS1410D	iButton Holder/Parallel Port
<b>DS1410E</b>	Adapter	0 to 70	DS1410E	iButton Holder/Parallel Port w/EPP
<b>DS1411</b>	DB-9	0 to 70	DS1411	iButton Holder/Serial, Active, w/ID
	DB-9	0 to 70	DS1411-S09	iButton Holder/Serial, Active, no ID
<b>DS1413</b>	DB-9	0 to 70	DS1413	iButton Holder/Serial, Passive
<b>DS1425</b>	iButton	0 to 70	DS1425L-F5	F5 MicroCan
<b>DS1427</b>	iButton	0 to 70	DS1427L-F5	F5 MicroCan
<b>DS14285</b>	24-Pin DIP	0 to 70	DS14285	
	24-Pin DIP	-40 to +85	DS14285N	
	28-Pin PLCC	0 to 70	DS14285Q	
	28-Pin PLCC	-40 to +85	DS14285QN	
	24-Pin SOIC	0 to 70	DS14285S	
	24-Pin SOIC	-40 to +85	DS14285SN	
<b>DS14287</b>	24-Pin Encap. DIP	0 to 70	DS14287	
<b>DS1480</b>	14-Pin SOIC	0 to 70	DS1480S	Regular Speed
	14-Pin SOIC/T&R	0 to 70	DS1480S/T&R	Regular Speed
<b>DS1481</b>	14-Pin SOIC	0 to 70	DS1481S	Regular and Overdrive Speed
	14-Pin SOIC/T&R	0 to 70	DS1481S/T&R	Regular and Overdrive Speed
<b>DS1486</b>	32-Pin Encap. DIP	0 to 70	DS1486-120	120 ns
	32-Pin Encap. DIP	0 to 70	DS1486-150	150 ns
	34-Pin PowerCap	0 to 70	DS1486P-120	120 ns
	34-Pin PowerCap	0 to 70	DS1486P-150	150 ns
<b>DS1490</b>	Adapter	0 to 70	DS1490F	2 in 1 USB fob
<b>DS1500</b>	32-Pin DIP	0 to 70	DS1500W	3.3 volt
	32-Pin TSOP	0 to 70	DS1500WE	3.3 volt
	32-Pin TSOP	-40 to +85	DS1500WEN	3.3 volt
	32-Pin DIP	-40 to +85	DS1500WN	3.3 volt
	32-Pin DIP	0 to 70	DS1500Y	5 volt
	32-Pin TSOP	0 to 70	DS1500YE	5 volt
	32-Pin TSOP	-40 to +85	DS1500YEN	5 volt
	32-Pin DIP	-40 to +85	DS1500YN	5 volt
<b>DS1501</b>	28-Pin DIP	0 to 70	DS1501W	3.3 volt
	28-Pin TSOP	0 to 70	DS1501WE	3.3 volt
	28-Pin TSOP	-40 to +85	DS1501WEN	3.3 volt
	28-Pin DIP	-40 to +85	DS1501WN	3.3 volt

	28-Pin SOIC	0 to 70	DS1501WS	3.3 volt
	28-Pin SOIC	-40 to +85	DS1501WSN	3.3 volt
	28-Pin DIP	0 to 70	DS1501Y	5 volt
	28-Pin TSOP	0 to 70	DS1501YE	5 volt
	28-Pin TSOP	-40 to +85	DS1501YEN	5 volt
	28-Pin DIP	-40 to +85	DS1501YN	5 volt
	28-Pin SOIC	0 to 70	DS1501YS	5 volt
	28-Pin SOIC	-40 to +85	DS1501YSN	5 volt
<b>DS1510</b>	32-PIN Encap. DIP	0 to 70	DS1510W	3.3 volt
	32-PIN Encap. DIP	0 to 70	DS1510Y	5 volt
<b>DS1511</b>	28-PIN Encap. DIP	0 to 70	DS1511W	3.3 volt
	28-PIN Encap. DIP	0 to 70	DS1511Y	5 volt
<b>DS1543</b>	28-Pin Encap. DIP	0 to 70	DS1543-100	5 volt, 100 ns
	28-Pin Encap. DIP	0 to 70	DS1543-70	5 volt, 70 ns
	34-Pin PowerCap	0 to 70	DS1543P-100	5 volt, 100 ns
	34-Pin PowerCap	0 to 70	DS1543P-70	5 volt, 70 ns
	28-Pin Encap. DIP	0 to 70	DS1543W-120	3.3 volt, 120 ns
	28-Pin Encap. DIP	0 to 70	DS1543W-150	3.3 volt, 150 ns
	34-Pin PowerCap	0 to 70	DS1543WP-120	3.3 volt, 120 ns
	34-Pin PowerCap	0 to 70	DS1543WP-150	3.3 volt, 150 ns
<b>DS1553</b>	28-Pin Encap. DIP	0 to 70	DS1553-100	5 volt, 100 ns
	28-Pin Encap. DIP	0 to 70	DS1553-70	5 volt, 70 ns
	34-Pin PowerCap	0 to 70	DS1553P-100	5 volt, 100 ns
	34-Pin PowerCap	0 to 70	DS1553P-70	5 volt, 70 ns
	28-Pin Encap. DIP	0 to 70	DS1553W-120	3.3 volt, 120 ns
	28-Pin Encap. DIP	0 to 70	DS1553W-150	3.3 volt, 150 ns
	34-Pin PowerCap	0 to 70	DS1553WP-120	3.3 volt, 120 ns
	34-Pin PowerCap	0 to 70	DS1553WP-150	3.3 volt, 150 ns
<b>DS1554</b>	32-Pin Encap. DIP	0 to 70	DS1554-100	5 volt, 100 ns
	32-Pin Encap. DIP	0 to 70	DS1554-70	5 volt, 70 ns
	34-Pin PowerCap	0 to 70	DS1554P-100	5 volt, 100 ns
	34-Pin PowerCap	0 to 70	DS1554P-70	5 volt, 70 ns
	32-Pin Encap. DIP	0 to 70	DS1554W-120	3.3 volt, 120 ns
	32-Pin Encap. DIP	0 to 70	DS1554W-150	3.3 volt, 150 ns
	34-Pin PowerCap	0 to 70	DS1554WP-120	3.3 volt, 120 ns
	34-Pin PowerCap	0 to 70	DS1554WP-150	3.3 volt, 150 ns
<b>DS1556</b>	32-Pin Encap. DIP	0 to 70	DS1556-100	5 volt, 100 ns
	32-Pin Encap. DIP	0 to 70	DS1556-70	5 volt, 70 ns
	34-Pin PowerCap	0 to 70	DS1556P-100	5 volt, 100 ns
	34-Pin PowerCap	0 to 70	DS1556P-70	5 volt, 70 ns

	32-Pin Encap. DIP	0 to 70	DS1556W-120	3.3 volt, 120 ns
	32-Pin Encap. DIP	0 to 70	DS1556W-150	3.3 volt, 150 ns
	34-Pin PowerCap	0 to 70	DS1556WP-120	3.3 volt, 120 ns
	34-Pin PowerCap	0 to 70	DS1556WP-150	3.3 volt, 150 ns
<b>DS1557</b>	34-Pin PowerCap	0 to 70	DS1553P-100	5 volt, 100 ns
	34-Pin PowerCap	0 to 70	DS1553P-70	5 volt, 70 ns
	34-Pin PowerCap	0 to 70	DS1553WP-120	3.3 volt, 120 ns
	34-Pin PowerCap	0 to 70	DS1553WP-150	3.3 volt, 150 ns
<b>DS1602</b>	8-Pin DIP	-40 to +85	DS1602	
	8-Pin SOIC	-40 to +85	DS1602S	
<b>DS1603</b>	7-Pin Encap. SIP	0 to 70	DS1603	
<b>DS1610</b>	16 Pin DIP 300mil	0C to +70C	DS1610	
	16 Pin DIP 300mil	-40C to +85C	DS1610N	
	16 Pin SO 300mil	0C to +70C	DS1610S	
	16 Pin SO 300mil	-40C to +85C	DS1610SN	
<b>DS1615</b>	16-Pin DIP	-40 to +85	DS1615	
	16-Pin SOIC	-40 to +85	DS1615S	
<b>DS1616</b>	24-Pin DIP	-40 to +85	DS1609	
<b>DS1616</b>	24-Pin SOIC	-40 to +85	DS1609S	
<b>DS1620</b>	8-Pin DIP	-55 to +125	DS1620	
	8-Pin SOIC	-55 to +125	DS1620S	
<b>DS1621</b>	8-Pin DIP	-55 to +125	DS1621	
	8-Pin SOIC	-55 to +125	DS1621S	
<b>DS1624</b>	8-Pin DIP	-55 to +125	DS1624	
	8-Pin SOIC	-55 to +125	DS1624S	
<b>DS1629</b>	8-Pin SOIC	-55 to +125	DS1629S	
<b>DS1632</b>	16 Pin DIP 300mil	0C to +70C	DS1632	
	16 Pin SO 300mil	0C to +70C	DS1632S	
<b>DS1640</b>	16 Pin DIP 300mil	0C to +70C	DS1640	
	16 Pin SO 300mil	0C to +70C	DS1640S	
	16 Pin SO 300mil	-40C to +85C	DS1640SN	
<b>DS1642</b>	24-Pin Encap. DIP	0 to 70	DS1642-100	100 ns
	24-Pin Encap. DIP	0 to 70	DS1642-70	70 ns



<b>DS1643</b>	28-Pin Encap. DIP	0 to 70	DS1643-100	100 ns
	28-Pin Encap. DIP	0 to 70	DS1643-70	70 ns
	34-Pin PowerCap	0 to 70	DS1643P-100	100 ns
	34-Pin PowerCap	0 to 70	DS1643P-70	70 ns
<b>DS1644</b>	28-Pin Encap. DIP	0 to 70	DS1644-120	120 ns
	28-Pin Encap. DIP	0 to 70	DS1644-150	150 ns
	34-Pin PowerCap	0 to 70	DS1644P-120	120 ns
	34-Pin PowerCap	0 to 70	DS1644P-150	150 ns
<b>DS1646</b>	32-Pin Encap. DIP	0 to 70	DS1646-120	120 ns
	32-Pin Encap. DIP	0 to 70	DS1646-150	150 ns
	34-Pin PowerCap	0 to 70	DS1646P-120	120 ns
	34-Pin PowerCap	0 to 70	DS1646P-150	150 ns
<b>DS1647</b>	32-Pin Encap. DIP	0 to 70	DS1647-120	120 ns
	32-Pin Encap. DIP	0 to 70	DS1647-150	150 ns
	34-Pin PowerCap	0 to 70	DS1647P-120	120 ns
	34-Pin PowerCap	0 to 70	DS1647P-150	150 ns
<b>DS1666</b>	14-Pin DIP	-40 to +85	DS1666-010	10K ohms
	14-Pin DIP	-40 to +85	DS1666-050	50K ohms
	14-Pin DIP	-40 to +85	DS1666-100	100K ohms
	16-Pin SOIC	-40 to +85	DS1666S-010	10K ohms
	16-Pin SOIC/T&R	-40 to +85	DS1666S-010/T&R	10K ohms
	16-Pin SOIC	-40 to +85	DS1666S-050	50K ohms
	16-Pin SOIC/T&R	-40 to +85	DS1666S-050/T&R	50K ohms
	16-Pin SOIC	-40 to +85	DS1666S-100	100K ohms
	16-Pin SOIC/T&R	-40 to +85	DS1666S-100/T&R	100K ohms
<b>DS1667</b>	20-Pin DIP	0 to 70	DS1667-010	10K ohms
	20-Pin DIP	0 to 70	DS1667-050	50K ohms
	20-Pin DIP	0 to 70	DS1667-100	100K ohms
	20-Pin SOIC	0 to 70	DS1667S-010	10K ohms
	20-Pin SOIC	0 to 70	DS1667S-050	50K ohms
	20-Pin SOIC	0 to 70	DS1667S-100	100K ohms
<b>DS1669</b>	8-Pin DIP	-40 to +85	DS1669-010	10K ohms
	8-Pin DIP	-40 to +85	DS1669-050	50K ohms
	8-Pin DIP	-40 to +85	DS1669-100	100K ohms
	8-Pin SOIC	-40 to +85	DS1669S-010	10K ohms
	8-Pin SOIC/T&R	-40 to +85	DS1669S-010/T&R	10K ohms
	8-Pin SOIC	-40 to +85	DS1669S-050	50K ohms
	8-Pin SOIC/T&R	-40 to +85	DS1669S-050/T&R	50K ohms
	8-Pin SOIC	-40 to +85	DS1669S-100	100K ohms

	8-Pin SOIC/T&R	-40 to +85	DS1669S-100/T&R	100K ohms
<b>DS1670</b>	20-Pin TSSOP 20-Pin SOIC	0 to 70 0 to 70	DS1670E DS1670S	
<b>DS1672</b>	8-Pin DIP 8-Pin DIP 8-Pin SOIC 8-Pin SOIC 8-Pin uSOP 8-Pin uSOP	0 to 70 0 to 70 0 to 70 0 to 70 0 to 70 0 to 70	DS1672-2 DS1672-3 DS1672S-2 DS1672S-3 DS1672U-2 DS1672U-3	2 volt 3 volt 2 volt 3 volt 2 volt 3 volt
<b>DS1673</b>	20-Pin TSSOP 20-Pin TSSOP 20-Pin SOIC 20-Pin SOIC	0 to 70 0 to 70 0 to 70 0 to 70	DS1673E-3 DS1673E-5 DS1673S-3 DS1673S-5	3 volt 5 volt 3 volt 5 volt
<b>DS1677</b>	20-Pin TSSOP	0 to 70	DS1677E	
<b>DS1678</b>	8-Pin DIP 8-Pin SOIC	-40 to +85 -40 to +85	DS1678 DS1678S	
<b>DS1682</b>	8-Pin SOIC 6-Pin Flip Chip Bump	-40 to +85 -40 to +85	DS1682S DS1682X	
<b>DS1685</b>	24-Pin DIP 24-Pin DIP 24-Pin TSSOP 24-Pin TSSOP 24-Pin TSSOP 24-Pin TSSOP 24-Pin DIP 24-Pin DIP 28-Pin PLCC 28-Pin PLCC 28-Pin PLCC 28-Pin PLCC 24-Pin SOIC 24-Pin SOIC 24-Pin SOIC 24-Pin SOIC	0 to 70 0 to 70 0 to 70 0 to 70 -40 to +85 -40 to +85 -40 to +85 -40 to +85 0 to 70 0 to 70 -40 to +85 -40 to +85 0 to 70 0 to 70 -40 to +85 -40 to +85	DS1685-3 DS1685-5 DS1685E-3 DS1685E-5 DS1685EN-3 DS1685EN-5 DS1685N-3 DS1685N-5 DS1685Q-3 DS1685Q-5 DS1685QN-3 DS1685QN-5 DS1685S-3 DS1685S-5 DS1685SN-3 DS1685SN-5	3 volt 5 volt 3 volt 5 volt 3 volt 5 volt 3 volt 5 volt 3 volt 5 volt 3 volt 5 volt 3 volt 5 volt 3 volt 5 volt
<b>DS1687</b>	24-Pin Encap. DIP 24-Pin Encap. DIP	0 to 70 0 to 70	DS1687-3 DS1687-5	3 volt 5 volt
<b>DS1688</b>	28-Pin DIP	0 to 70	DS1688	

	28-Pin SOIC	0 to 70	DS1688S	
<b>DS1689</b>	28-Pin DIP	0 to 70	DS1689	
	28-Pin SOIC	0 to 70	DS1689S	
<b>DS1691</b>	28-Pin Encap. DIP	0 to 70	DS1691	
<b>DS1693</b>	28-Pin Encap. DIP	0 to 70	DS1693	
<b>DS1705/6</b>	8 Pin DIP 300mil	-40C to +85C	DS1705EPA	5.0V-5% Monitor
	8 Pin SO 150mil	-40C to +85C	DS1705ESA	5.0V-5% Monitor
	μ-SOP	-40C to +85C	DS1705EUA	5.0V-5% Monitor
	8 Pin DIP 300mil	-40C to +85C	DS1706EPA	5.0V-10% Monitor
	8 Pin SO 150mil	-40C to +85C	DS1706ESA	5.0V-10% Monitor
	μ-SOP	-40C to +85C	DS1706EUA	5.0V-10% Monitor
	8 Pin DIP 300mil	-40C to +85C	DS1706LEPA	5.0V-5% Monitor
	8 Pin SO 150mil	-40C to +85C	DS1706LESA	5.0V-5% Monitor
	μ-SOP	-40C to +85C	DS1706LEUA	5.0V-5% Monitor
	8 Pin DIP 300mil	-40C to +85C	DS1706PEPA	3.3V-20% Monitor
	8 Pin SO 150mil	-40C to +85C	DS1706PESA	3.3V-20% Monitor
	μ-SOP	-40C to +85C	DS1706PEUA	3.3V-20% Monitor
	8 Pin DIP 300mil	-40C to +85C	DS1706REPA	3.3V-20% Monitor
	8 Pin SO 150mil	-40C to +85C	DS1706RESA	3.3V-20% Monitor
	μ-SOP	-40C to +85C	DS1706REUA	3.3V-20% Monitor
	8 Pin DIP 300mil	-40C to +85C	DS1706SEPA	3.3V-10% Monitor
	8 Pin SO 150mil	-40C to +85C	DS1706SESA	3.3V-10% Monitor
	μ-SOP	-40C to +85C	DS1706SEUA	3.3V-10% Monitor
	8 Pin DIP 300mil	-40C to +85C	DS1706TEPA	3.3V-5% Monitor
	8 Pin SO 150mil	-40C to +85C	DS1706TESA	3.3V-5% Monitor
	μ-SOP	-40C to +85C	DS1706TEUA	3.3V-5% Monitor
<b>DS1707/8</b>	8 Pin DIP 300mil	-40C to +85C	DS1707EPA	5.0V-5% Monitor
	8 Pin SO 150mil	-40C to +85C	DS1707ESA	5.0V-5% Monitor
	μ-SOP	-40C to +85C	DS1707EUA	5.0V-5% Monitor
	8 Pin DIP 300mil	-40C to +85C	DS1708EPA	5.0V-10% Monitor
	8 Pin SO 150mil	-40C to +85C	DS1708ESA	5.0V-10% Monitor
	μ-SOP	-40C to +85C	DS1708EUA	5.0V-10% Monitor
	8 Pin DIP 300mil	-40C to +85C	DS1708REPA	3.3V-20% Monitor
	8 Pin SO 150mil	-40C to +85C	DS1708RESA	3.3V-20% Monitor
	μ-SOP	-40C to +85C	DS1708REUA	3.3V-20% Monitor
	8 Pin DIP 300mil	-40C to +85C	DS1708SEPA	3.3V-10% Monitor
	8 Pin SO 150mil	-40C to +85C	DS1708SESA	3.3V-10% Monitor
	μ-SOP	-40C to +85C	DS1708SEUA	3.3V-10% Monitor
	8 Pin DIP 300mil	-40C to +85C	DS1708TEPA	3.3V-5% Monitor
	8 Pin SO 150mil	-40C to +85C	DS1708TESA	3.3V-5% Monitor
	μ-SOP	-40C to +85C	DS1708TEUA	3.3V-5% Monitor

<b>DS1710</b>	16 Pin DIP 300mil	0C to +70C	DS1710	
	20 Pin TSSOP	0C to +70C	DS1710E	
	20 Pin TSSOP	-40C to +85C	DS1710EN	
	16 Pin DIP 300mil	-40C to +85C	DS1710N	
	16 Pin SO 300mil	0C to +70C	DS1710S	
	16 Pin SO 300mil	-40C to +85C	DS1710SN	
<b>DS1720</b>	8-Pin SOIC	-55 to +125	DS1720S	
<b>DS1721</b>	8-Pin SOIC	-55 to +125	DS1721S	
	8-Pin uSOP	-55 to +125	DS1721U	
<b>DS1722</b>	8-Pin SOIC	-55 to +125	DS1722S	
	8-Pin uSOP	-55 to +125	DS1722U	
	Flipchip	-55 to +125	DS1722X	
<b>DS17285</b>	24-Pin DIP	0 to 70	DS17285-3	3 volt
	24-Pin DIP	0 to 70	DS17285-5	5 volt
	28-Pin TSOP	0 to 70	DS17285E-3	3 volt
	28-Pin TSOP	0 to 70	DS17285E-5	5 volt
	28-Pin TSOP	-40 to +85	DS17285EN-3	3 volt
	28-Pin TSOP	-40 to +85	DS17285EN-5	5 volt
	24-Pin DIP	-40 to +85	DS17285N-3	3 volt
	24-Pin DIP	-40 to +85	DS17285N-5	5 volt
	24-Pin SOIC	0 to 70	DS17285S-3	3 volt
	24-Pin SOIC	0 to 70	DS17285S-5	5 volt
	24-Pin SOIC	-40 to +85	DS17285SN-3	3 volt
	24-Pin SOIC	-40 to +85	DS17285SN-5	5 volt
<b>DS17287</b>	24-Pin Encap. DIP	0 to 70	DS17287-3	3 volt
	24-Pin Encap. DIP	0 to 70	DS17287-5	5 volt
<b>DS1742</b>	24-Pin Encap. DIP	0 to 70	DS1742-100	5 volt, 100 ns
	24-Pin Encap. DIP	0 to 70	DS1742-70	5 volt, 70 ns
	24-Pin Encap. DIP	0 to 70	DS1742W-120	3.3 volt, 120 ns
	24-Pin Encap. DIP	0 to 70	DS1742W-150	3.3 volt, 150 ns
<b>DS1743</b>	28-Pin Encap. DIP	0 to 70	DS1743-100	5 volt, 100 ns
	28-Pin Encap. DIP	0 to 70	DS1743-70	5 volt, 70 ns
	34-Pin PowerCap	0 to 70	DS1743P-100	5 volt, 100 ns
	34-Pin PowerCap	0 to 70	DS1743P-70	5 volt, 70 ns
	28-Pin Encap. DIP	0 to 70	DS1743W-120	3.3 volt, 120 ns
	28-Pin Encap. DIP	0 to 70	DS1743W-150	3.3 volt, 150 ns
	34-Pin PowerCap	0 to 70	DS1743WP-120	3.3 volt, 120 ns
	34-Pin PowerCap	0 to 70	DS1743WP-150	3.3 volt, 150 ns
<b>DS1744</b>	28-Pin Encap. DIP	0 to 70	DS1744-100	5 volt, 100 ns

	28-Pin Encap. DIP	0 to 70	DS1744-70	5 volt, 70 ns
	34-Pin PowerCap	0 to 70	DS1744P-100	5 volt, 100 ns
	34-Pin PowerCap	0 to 70	DS1744P-70	5 volt, 70 ns
	28-Pin Encap. DIP	0 to 70	DS1744W-120	3.3 volt, 120 ns
	28-Pin Encap. DIP	0 to 70	DS1744W-150	3.3 volt, 150 ns
	34-Pin PowerCap	0 to 70	DS1744WP-120	3.3 volt, 120 ns
	34-Pin PowerCap	0 to 70	DS1744WP-150	3.3 volt, 150 ns
<b>DS1746</b>	32-Pin Encap. DIP	0 to 70	DS1746-100	5 volt, 100 ns
	32-Pin Encap. DIP	0 to 70	DS1746-70	5 volt, 70 ns
	34-Pin PowerCap	0 to 70	DS1746P-100	5 volt, 100 ns
	34-Pin PowerCap	0 to 70	DS1746P-70	5 volt, 70 ns
	32-Pin Encap. DIP	0 to 70	DS1746W-120	3.3 volt, 120 ns
	32-Pin Encap. DIP	0 to 70	DS1746W-150	3.3 volt, 150 ns
	34-Pin PowerCap	0 to 70	DS1746WP-120	3.3 volt, 120 ns
	34-Pin PowerCap	0 to 70	DS1746WP-150	3.3 volt, 150 ns
<b>DS1747</b>	32-Pin Encap. DIP	0 to 70	DS1747-100	5 volt, 100 ns
	32-Pin Encap. DIP	0 to 70	DS1747-70	5 volt, 70 ns
	34-Pin PowerCap	0 to 70	DS1747P-100	5 volt, 100 ns
	34-Pin PowerCap	0 to 70	DS1747P-70	5 volt, 70 ns
	32-Pin Encap. DIP	0 to 70	DS1747W-120	3.3 volt, 120 ns
	32-Pin Encap. DIP	0 to 70	DS1747W-150	3.3 volt, 150 ns
	34-Pin PowerCap	0 to 70	DS1747WP-120	3.3 volt, 120 ns
	34-Pin PowerCap	0 to 70	DS1747WP-150	3.3 volt, 150 ns
<b>DS17485</b>	24-Pin DIP	0 to 70	DS17485-3	3 volt
	24-Pin DIP	0 to 70	DS17485-5	5 volt
	28-Pin TSOP	0 to 70	DS17485E-3	3 volt
	28-Pin TSOP	0 to 70	DS17485E-5	5 volt
	28-Pin TSOP	-40 to +85	DS17485EN-3	3 volt
	28-Pin TSOP	-40 to +85	DS17485EN-5	5 volt
	24-Pin DIP	-40 to +85	DS17485N-3	3 volt
	24-Pin DIP	-40 to +85	DS17485N-5	5 volt
	24-Pin SOIC	0 to 70	DS17485S-3	3 volt
	24-Pin SOIC	0 to 70	DS17485S-5	5 volt
	24-Pin SOIC	-40 to +85	DS17485SN-3	3 volt
	24-Pin SOIC	-40 to +85	DS17485SN-5	5 volt
<b>DS17487</b>	24-Pin Encap. DIP	0 to 70	DS17487-3	3 volt
	24-Pin Encap. DIP	0 to 70	DS17487-5	5 volt
<b>DS1775</b>	5-Pin SOT23	-55 to +125	DS1775R-TR1	001 2-wire address
	5-Pin SOT23	-55 to +125	DS1775R-TR2	010 2-wire address
	5-Pin SOT23	-55 to +125	DS1775R-TR3	011 2-wire address
	5-Pin SOT23	-55 to +125	DS1775R-TR4	100 2-wire address

	5-Pin SOT23	-55 to +125	DS1775R-TR5	101 2-wire address
	5-Pin SOT23	-55 to +125	DS1775R-TR6	110 2-wire address
	5-Pin SOT23	-55 to +125	DS1775R-TR7	111 2-wire address
	5-Pin SOT23	-55 to +125	DS1775R-TRL	000 2-wire address
<b>DS1780</b>	24-Pin TSSOP	-40 to +125	DS1780E	
<b>DS17885</b>	24-Pin DIP	0 to 70	DS17885-3	3 volt
	24-Pin DIP	0 to 70	DS17885-5	5 volt
	28-Pin TSOP	0 to 70	DS17885E-3	3 volt
	28-Pin TSOP	0 to 70	DS17885E-5	5 volt
	28-Pin TSOP	-40 to +85	DS17885EN-3	3 volt
	28-Pin TSOP	-40 to +85	DS17885EN-5	5 volt
	24-Pin DIP	-40 to +85	DS17885N-3	3 volt
	24-Pin DIP	-40 to +85	DS17885N-5	5 volt
	24-Pin SOIC	0 to 70	DS17885S-3	3 volt
	24-Pin SOIC	0 to 70	DS17885S-5	5 volt
	24-Pin SOIC	-40 to +85	DS17885SN-3	3 volt
	24-Pin SOIC	-40 to +85	DS17885SN-5	5 volt
<b>DS17887</b>	24-Pin Encap. DIP	0 to 70	DS17887-3	3 volt
	24-Pin Encap. DIP	0 to 70	DS17887-5	5 volt
<b>DS1800</b>	20-Pin DIP	-40 to +85	DS1800	53K ohms
	20-Pin TSSOP	-40 to +85	DS1800E	53K ohms
	20-Pin SOIC	-40 to +85	DS1800S	53K ohms
<b>DS1801</b>	14-Pin DIP	-40 to +85	DS1801	45K ohms
	14-Pin TSSOP	-40 to +85	DS1801E-014	45K ohms
	14-Pin TSSOP/T&R	-40 to +85	DS1801E-014/T&R	45K ohms
	16-Pin SOIC	-40 to +85	DS1801S	45K ohms
	16-Pin SOIC/T&R	-40 to +85	DS1801S/T&R	45K ohms
<b>DS1802</b>	20-Pin DIP	-40 to +85	DS1802	50K ohms
	20-Pin TSSOP	-40 to +85	DS1802E	50K ohms
	20-Pin TSSOP/T&R	-40 to +85	DS1802E/T&R	50K ohms
	20-Pin SOIC	-40 to +85	DS1802S	50K ohms
	20-Pin SOIC/T&R	-40 to +85	DS1802S/T&R	50K ohms
<b>DS1803</b>	16-Pin DIP	-40 to +85	DS1803-010	10K ohms
	16-Pin DIP	-40 to +85	DS1803-050	50K ohms
	16-Pin DIP	-40 to +85	DS1803-100	100K ohms
	14-Pin TSSOP	-40 to +85	DS1803E-010	10K ohms
	14-Pin TSSOP/T&R	-40 to +85	DS1803E-010/T&R	10K ohms
	14-Pin TSSOP	-40 to +85	DS1803E-050	50K ohms
	14-Pin TSSOP/T&R	-40 to +85	DS1803E-050/T&R	50K ohms

	14-Pin TSSOP	-40 to +85	DS1803E-100	100K ohms
	14-Pin TSSOP/T&R	-40 to +85	DS1803E-100/T&R	100K ohms
	16-Pin SOIC	-40 to +85	DS1803Z-010	10K ohms
	16-Pin SOIC/T&R	-40 to +85	DS1803Z-010/T&R	10K ohms
	16-Pin SOIC	-40 to +85	DS1803Z-050	50K ohms
	16-Pin SOIC/T&R	-40 to +85	DS1803Z-050/T&R	50K ohms
	16-Pin SOIC	-40 to +85	DS1803Z-100	100K ohms
	16-Pin SOIC/T&R	-40 to +85	DS1803Z-100/T&R	100K ohms
<b>DS1804</b>	8-Pin DIP	-40 to +85	DS1804-010	10K ohms
	8-Pin DIP	-40 to +85	DS1804-050	50K ohms
	8-Pin DIP	-40 to +85	DS1804-100	100K ohms
	8-Pin USOP	-40 to +85	DS1804U-010	10K ohms
	8-Pin USOP/T&R	-40 to +85	DS1804U-010/T&R	10K ohms
	8-Pin USOP	-40 to +85	DS1804U-050	50K ohms
	8-Pin USOP/T&R	-40 to +85	DS1804U-050/T&R	50K ohms
	8-Pin USOP	-40 to +85	DS1804U-100	100K ohms
	8-Pin USOP/T&R	-40 to +85	DS1804U-100/T&R	100K ohms
	8-Pin FCP	-40 to +85	DS1804X-010	10K ohms
	8-Pin FCP	-40 to +85	DS1804X-050	50K ohms
	8-Pin FCP	-40 to +85	DS1804X-100	100K ohms
	8-Pin SOIC	-40 to +85	DS1804Z-010	10K ohms
	8-Pin SOIC/T&R	-40 to +85	DS1804Z-010/T&R	10K ohms
	8-Pin SOIC	-40 to +85	DS1804Z-050	50K ohms
	8-Pin SOIC/T&R	-40 to +85	DS1804Z-050/T&R	50K ohms
	8-Pin SOIC	-40 to +85	DS1804Z-100	100K ohms
	8-Pin SOIC/T&R	-40 to +85	DS1804Z-100/T&R	100K ohms
<b>DS1806</b>	20-Pin DIP	-40 to +85	DS1806-010	10K ohms
	20-Pin DIP	-40 to +85	DS1806-050	50K ohms
	20-Pin DIP	-40 to +85	DS1806-100	100K ohms
	20-Pin TSSOP	-40 to +85	DS1806E-010	10K ohms
	20-Pin TSSOP/T&R	-40 to +85	DS1806E-010/T&R	10K ohms
	20-Pin TSSOP	-40 to +85	DS1806E-050	50K ohms
	20-Pin TSSOP/T&R	-40 to +85	DS1806E-050/T&R	50K ohms
	20-Pin TSSOP	-40 to +85	DS1806E-100	100K ohms
	20-Pin TSSOP/T&R	-40 to +85	DS1806E-100/T&R	100K ohms
	20-Pin SOIC	-40 to +85	DS1806S-010	10K ohms
	20-Pin SOIC/T&R	-40 to +85	DS1806S-010/T&R	10K ohms
	20-Pin SOIC	-40 to +85	DS1806S-050	50K ohms
	20-Pin SOIC/T&R	-40 to +85	DS1806S-050/T&R	50K ohms
	20-Pin SOIC	-40 to +85	DS1806S-100	100K ohms
	20-Pin SOIC/T&R	-40 to +85	DS1806S-100/T&R	100K ohms
<b>DS1807</b>	14-Pin DIP	-40 to +85	DS1807	45K ohms
	14-Pin TSSOP	-40 to +85	DS1807E	45K ohms

	14-Pin TSSOP/T&R	-40 to +85	DS1807E/T&R	45K ohms
	16-Pin SOIC	-40 to +85	DS1807S	45K ohms
	16-Pin SOIC/T&R	-40 to +85	DS1807S/T&R	45K ohms
<b>DS1809</b>	8-Pin DIP	-40 to +85	DS1809-010	10K ohms
	8-Pin DIP	-40 to +85	DS1809-050	50K ohms
	8-Pin DIP	-40 to +85	DS1809-100	100K ohms
	8-Pin USOP	-40 to +85	DS1809U-010	10K ohms
	8-Pin USOP	-40 to +85	DS1809U-050	50K ohms
	8-Pin USOP	-40 to +85	DS1809U-100	100K ohms
	8-Pin SOIC	-40 to +85	DS1809Z-010	10K ohms
	8-Pin SOIC	-40 to +85	DS1809Z-050	50K ohms
	8-Pin SOIC	-40 to +85	DS1809Z-100	100K ohms
<b>DS1810</b>	TO-92	-40C to +85C	DS1810-10	5.0V-10% Monitor
	TO-92	-40C to +85C	DS1810-15	5.0V-15% Monitor
	TO-92	-40C to +85C	DS1810-5	5.0V-5% Monitor
	SOT-23/T&R	-40C to +85C	DS1810R-10/T&R	5.0V-10% Monitor
	SOT-23/T&R	-40C to +85C	DS1810R-15/T&R	5.0V-15% Monitor
	SOT-23/T&R	-40C to +85C	DS1810R-5/T&R	5.0V-5% Monitor
	FlipChipPkg/T&R	-40C to +85C	DS1810X-10/T&R	5.0V-10% Monitor
<b>DS1811</b>	TO-92	-40C to +85C	DS1811-10	5.0V-10% Monitor
	TO-92	-40C to +85C	DS1811-15	5.0V-15% Monitor
	TO-92	-40C to +85C	DS1811-5	5.0V-5% Monitor
	SOT-23/T&R	-40C to +85C	DS1811R-10/T&R	5.0V-10% Monitor
	SOT-23/T&R	-40C to +85C	DS1811R-15/T&R	5.0V-15% Monitor
	SOT-23/T&R	-40C to +85C	DS1811R-5/T&R	5.0V-5% Monitor
	FlipChipPkg/T&R	-40C to +85C	DS1811X-10/T&R	5.0V-10% Monitor
<b>DS1812</b>	TO-92	-40C to +85C	DS18120-10	5.0V-10% Monitor
	TO-92	-40C to +85C	DS1812-15	5.0V-15% Monitor
	TO-92	-40C to +85C	DS1812-5	5.0V-5% Monitor
	SOT-23/T&R	-40C to +85C	DS1812R-10/T&R	5.0V-10% Monitor
	SOT-23/T&R	-40C to +85C	DS1812R-15/T&R	5.0V-15% Monitor
	SOT-23/T&R	-40C to +85C	DS1812R-5/T&R	5.0V-5% Monitor
	FlipChipPkg/T&R	-40C to +85C	DS1812X-5/T&R	5.0V-5% Monitor
<b>DS1813</b>	TO-92	-40C to +85C	DS1813-10	5.0V-5% Monitor
	TO-92	-40C to +85C	DS1813-15	5.0V-10% Monitor
	TO-92	-40C to +85C	DS1813-5	5.0V-15% Monitor
	SOT-23/T&R	-40C to +85C	DS1813R-10/T&R	5.0V-5% Monitor
	SOT-23/T&R	-40C to +85C	DS1813R-15/T&R	5.0V-10% Monitor
	SOT-23/T&R	-40C to +85C	DS1813R-5/T&R	5.0V-15% Monitor
	FlipChipPkg/T&R	-40C to +85C	DS1813X-10/T&R	5.0V-10% Monitor
	FlipChipPkg/T&R	-40C to +85C	DS1813X-5/T&R	5.0V-5% Monitor



<b>DS1814</b>	SOT-23-5/T&R	-40C to +85C	DS1814AR-10/T&R	5.0V-10% Monitor
	SOT-23-5/T&R	-40C to +85C	DS1814AR-5/T&R	5.0V-5% Monitor
	SOT-23-5/T&R	-40C to +85C	DS1814BR-10/T&R	5.0V-10% Monitor
	SOT-23-5/T&R	-40C to +85C	DS1814BR-5/T&R	5.0V-5% Monitor
	FlipChipPkg/T&R	-40C to +85C	DS1814BX-10/T&R	5.0V-10% Monitor
	FlipChipPkg/T&R	-40C to +85C	DS1814BX-5/T&R	5.0V-5% Monitor
	SOT-23-5/T&R	-40C to +85C	DS1814CR-10/T&R	5.0V-10% Monitor
	SOT-23-5/T&R	-40C to +85C	DS1814CR-5/T&R	5.0V-5% Monitor
	FlipChipPkg/T&R	-40C to +85C	DS1814CX-10/T&R	5.0V-10% Monitor
FlipChipPkg/T&R	-40C to +85C	DS1814CX-5/T&R	5.0V-5% Monitor	
<b>DS1815</b>	TO-92	-40C to +85C	DS1815-10	3.3V-10% Monitor
	TO-92	-40C to +85C	DS1815-20	3.3V-20% Monitor
	TO-92	-40C to +85C	DS1815-5	3.3V-5% Monitor
	SOT-23/T&R	-40C to +85C	DS1815R-10/T&R	3.3V-10% Monitor
	SOT-23/T&R	-40C to +85C	DS1815R-20	3.3V-20% Monitor
	SOT-23/T&R	-40C to +85C	DS1815R-5/T&R	3.3V-5% Monitor
<b>DS1816</b>	TO-92	-40C to +85C	DS1816-10	3.3V-10% Monitor
	TO-92	-40C to +85C	DS1816-20	3.3V-20% Monitor
	TO-92	-40C to +85C	DS1816-5	3.3V-5% Monitor
	SOT-23/T&R	-40C to +85C	DS1816R-10/T&R	3.3V-10% Monitor
	SOT-23/T&R	-40C to +85C	DS1816R-20/T&R	3.3V-20% Monitor
	SOT-23/T&R	-40C to +85C	DS1816R-5/T&R	3.3V-5% Monitor
<b>DS1817</b>	TO-92	-40C to +85C	DS1817-10	3.3V-10% Monitor
	TO-92	-40C to +85C	DS1817-20	3.3V-20% Monitor
	TO-92	-40C to +85C	DS1817-5	3.3V-5% Monitor
	SOT-23/T&R	-40C to +85C	DS1817R-10/T&R	3.3V-10% Monitor
	SOT-23/T&R	-40C to +85C	DS1817R-20/T&R	3.3V-20% Monitor
	SOT-23/T&R	-40C to +85C	DS1817R-5/T&R	3.3V-5% Monitor
<b>DS1818</b>	TO-92	-40C to +85C	DS1818-10	3.3V-10% Monitor
	TO-92	-40C to +85C	DS1818-20	3.3V-20% Monitor
	TO-92	-40C to +85C	DS1818-5	3.3V-5% Monitor
	SOT-23/T&R	-40C to +85C	DS1818R-10/T&R	3.3V-10% Monitor
	SOT-23/T&R	-40C to +85C	DS1818R-20/T&R	3.3V-20% Monitor
	SOT-23/T&R	-40C to +85C	DS1818R-5/T&R	3.3V-5% Monitor
<b>DS1819</b>	SOT-23-5/T&R	-40C to +85C	DS1819AR-10/T&R	3.3V-10% Monitor
	SOT-23-5/T&R	-40C to +85C	DS1819AR-20/T&R	3.3V-20% Monitor
	SOT-23-5/T&R	-40C to +85C	DS1819AR-5/T&R	3.3V-5% Monitor
	FlipChipPkg/T&R	-40C to +85C	DS1819AX-20/T&R	3.3V-20% Monitor
	SOT-23-5/T&R	-40C to +85C	DS1819BR-10/T&R	3.3V-10% Monitor
	SOT-23-5/T&R	-40C to +85C	DS1819BR-20/T&R	3.3V-20% Monitor

	SOT-23-5/T&R	-40C to +85C	DS1819BR-5/T&R	3.3V-5% Monitor
	SOT-23-5/T&R	-40C to +85C	DS1819CR-10/T&R	3.3V-10% Monitor
	SOT-23-5/T&R	-40C to +85C	DS1819CR-20/T&R	3.3V-20% Monitor
	SOT-23-5/T&R	-40C to +85C	DS1819CR-5/T&R	3.3V-5% Monitor
<b>DS1820</b>	PR-35 16-Pin SSOP	-55 to +125 -55 to +125	DS1820 DS1820S	
<b>DS1821</b>	PR-35 8-Pin SOIC	-55 to +125 -55 to +125	DS1821 DS1821S	
<b>DS1822</b>	3-Pin TO-92 Flipchip 8-Pin SOIC	-55 to +125 -55 to +125 -55 to +125	DS1822 DS1822X DS1822Z	
<b>DS1830</b>	8 Pin DIP 300mil 8 Pin DIP 300mil 8 Pin SO 150mil $\mu$ -SOP 8 Pin DIP 300mil 8 Pin SO 150mil $\mu$ -SOP 8 Pin SO 150mil $\mu$ -SOP	-40C to +85C -40C to +85C -40C to +85C -40C to +85C -40C to +85C -40C to +85C -40C to +85C -40C to +85C -40C to +85C	DS1830 DS1830A DS1830AS DS1830AU DS1830B DS1830BS DS1830BU DS1830S DS1830U	5.0V Reset Sequencer 3.3V Reset Sequencer 3.3V Reset Sequencer 3.3V Reset Sequencer 2.5V Reset Sequencer 2.5V Reset Sequencer 2.5V Reset Sequencer 5.0V Reset Sequencer 5.0V Reset Sequencer
<b>DS1831</b>	16 Pin DIP 300mil 16 Pin DIP 300mil 16 Pin SO 150mil 16 Pin DIP 300mil 16 Pin SO 150mil 16 Pin DIP 300mil 16 Pin SO 150mil 16 Pin DIP 300mil 16 Pin SO 150mil 16 Pin DIP 300mil 16 Pin SO 150mil 16 Pin DIP 300mil 16 Pin SO 150mil 16 Pin SO 150mil	-40C to +85C -40C to +85C -40C to +85C -40C to +85C -40C to +85C -40C to +85C -40C to +85C -40C to +85C -40C to +85C -40C to +85C -40C to +85C -40C to +85C -40C to +85C -40C to +85C	DS1831 DS1831A DS1831AS DS1831B DS1831BS DS1831C DS1831CS DS1831D DS1831DS DS1831E DS1831ES DS1831S	w/WD w/WD w/Reset Status w/Reset Status 2.5V and 3.0V 2.5V and 3.0V w/WD w/WD w/Reset Status w/Reset Status
<b>DS1832</b>	8 Pin DIP 300mil 8 Pin SO 150mil $\mu$ -SOP	-40C to +85C -40C to +85C 0C to +70C	DS1832 DS1832S DS1832U	
<b>DS1833</b>	TO-92 TO-92 TO-92 SOT-223	-40C to +85C -40C to +85C -40C to +85C -40C to +85C	DS1833-10 DS1833-15 DS1833-5 DS1833Z-10	5.0V-10% Monitor 5.0V-15% Monitor 5.0V-5% Monitor 5.0V-10% Monitor

	SOT-223	-40C to +85C	DS1833Z-15	5.0V-15% Monitor
	SOT-223	-40C to +85C	DS1833Z-5	5.0V-5% Monitor
<b>DS1834</b>	8 Pin DIP 300mil	-40C to +85C	DS1834	CMOS Active Low
	8 Pin DIP 300mil	-40C to +85C	DS1834A	Open Drain Act. Low
	8 Pin SO 150mil	-40C to +85C	DS1834AS	Open Drain Act. Low
	μ-SOP	-40C to +85C	DS1834AU	Open Drain Act. Low
	FlipChipPkg/T&R	-40C to +85C	DS1834AX/T&R	Open Drain Act. Low
	8 Pin DIP 300mil	-40C to +85C	DS1834D	CMOS Active High
	8 Pin SO 150mil	-40C to +85C	DS1834DS	CMOS Active High
	μ-SOP	-40C to +85C	DS1834DU	CMOS Active High
	8 Pin SO 150mil	-40C to +85C	DS1834S	CMOS Active Low
	μ-SOP	-40C to +85C	DS1834U	CMOS Active Low
	FlipChipPkg/T&R	-40C to +85C	DS1834X/T&R	CMOS Active Low
<b>DS1836</b>	8 Pin DIP 300mil	-40C to +85C	DS1836A-10	5.0V-10% Monitor
	8 Pin DIP 300mil	-40C to +85C	DS1836A-5	5.0V-5% Monitor
	8 Pin SO 150mil	-40C to +85C	DS1836AS-10	5.0V-10% Monitor
	8 Pin SO 150mil	-40C to +85C	DS1836AS-5	5.0V-5% Monitor
	8 Pin DIP 300mil	-40C to +85C	DS1836B-10	5.0V-10% Monitor
	8 Pin DIP 300mil	-40C to +85C	DS1836B-5	5.0V-5% Monitor
	8 Pin SO 150mil	-40C to +85C	DS1836BS-10	5.0V-10% Monitor
	8 Pin SO 150mil	-40C to +85C	DS1836BS-5	5.0V-5% Monitor
	8 Pin DIP 300mil	-40C to +85C	DS1836C-10	3.3V-10% Monitor
	8 Pin DIP 300mil	-40C to +85C	DS1836C-20	3.3V-20% Monitor
	8 Pin SO 150mil	-40C to +85C	DS1836CS-10	3.3V-10% Monitor
	8 Pin SO 150mil	-40C to +85C	DS1836CS-20	3.3V-20% Monitor
	8 Pin DIP 300mil	-40C to +85C	DS1836D-10	3.3V-10% Monitor
	8 Pin DIP 300mil	-40C to +85C	DS1836D-20	3.3V-20% Monitor
	8 Pin SO 150mil	-40C to +85C	DS1836DS-10	3.3V-10% Monitor
	8 Pin SO 150mil	-40C to +85C	DS1836DS-20	3.3V-20% Monitor
<b>DS1844</b>	20-Pin DIP	-40C to +85C	DS1844-010	10K ohms
	20-Pin DIP	-40C to +85C	DS1844-050	50K ohms
	20-Pin DIP	-40C to +85C	DS1844-100	100K ohms
	20-Pin TSSOP	-40C to +85C	DS1844E-010	10K ohms
	20-Pin TSSOP/T&R	-40C to +85C	DS1844E-010/T&R	10K ohms
	20-Pin TSSOP	-40C to +85C	DS1844E-050	50K ohms
	20-Pin TSSOP/T&R	-40C to +85C	DS1844E-050/T&R	50K ohms
	20-Pin TSSOP	-40C to +85C	DS1844E-100	100K ohms
	20-Pin TSSOP/T&R	-40C to +85C	DS1844E-100/T&R	100K ohms
	20-Pin SOIC	-40C to +85C	DS1844S-010	10K ohms
	20-Pin SOIC/T&R	-40C to +85C	DS1844S-010/T&R	10K ohms
	20-Pin SOIC	-40C to +85C	DS1844S-050	50K ohms
	20-Pin SOIC/T&R	-40C to +85C	DS1844S-050/T&R	50K ohms
	20-Pin SOIC	-40C to +85C	DS1844S-100	100K ohms

	20-Pin SOIC/T&R	-40C to +85C	DS1844S-100/T&R	100K ohms
<b>DS1845</b>	16-Ball STPBGA	-40C to +85C	DS1845B-010	10K/10K ohms
	16-Ball STPBGA	-40C to +85C	DS1845B-050	10K/50K ohms
	16-Ball STPBGA	-40C to +85C	DS1845B-100	10K/100K ohms
	16-Ball STPBGA	-40C to +85C	DS1845B-200	100K/100K ohms
	14-Pin TSSOP	-40C to +85C	DS1845E-010	10K/10K ohms
	14-Pin TSSOP/T&R	-40C to +85C	DS1845E-010/T&R	10K/10K ohms
	14-Pin TSSOP	-40C to +85C	DS1845E-050	10K/50K ohms
	14-Pin TSSOP/T&R	-40C to +85C	DS1845E-050/T&R	10K/50K ohms
	14-Pin TSSOP	-40C to +85C	DS1845E-100	10K/100K ohms
	14-Pin TSSOP/T&R	-40C to +85C	DS1845E-100/T&R	10K/100K ohms
	14-Pin TSSOP	-40C to +85C	DS1845E-200	100K/100K ohms
	14-Pin TSSOP/T&R	-40C to +85C	DS1845E-200/T&R	100K/100K ohms
	14-Pin FCP	-40C to +85C	DS1845X-010	10K/10K ohms
	14-Pin FCP	-40C to +85C	DS1845X-050	10K/50K ohms
	14-Pin FCP	-40C to +85C	DS1845X-100	10K/100K ohms
		14-Pin FCP	-40C to +85C	DS1845X-200
<b>DS1866</b>	8-Pin DIP	-40 to +85	DS1866	10K ohms
	8-Pin SOIC	-40 to +85	DS1866Z	10K ohms
<b>DS1867</b>	14-Pin DIP	-40 to +85	DS1867-010	10K ohms
	14-Pin DIP	-40 to +85	DS1867-050	50K ohms
	14-Pin DIP	-40 to +85	DS1867-100	100K ohms
	20-Pin TSSOP	-40 to +85	DS1867E-010	10K ohms
	20-Pin TSSOP/T&R	-40 to +85	DS1867E-010/T&R	10K ohms
	20-Pin TSSOP	-40 to +85	DS1867E-050	50K ohms
	20-Pin TSSOP/T&R	-40 to +85	DS1867E-050/T&R	50K ohms
	20-Pin TSSOP	-40 to +85	DS1867E-100	100K ohms
	20-Pin TSSOP/T&R	-40 to +85	DS1867E-100/T&R	100K ohms
	16-Pin SOIC	-40 to +85	DS1867S-010	10K ohms
	16-Pin SOIC/T&R	-40 to +85	DS1867S-010/T&R	10K ohms
	16-Pin SOIC	-40 to +85	DS1867S-050	50K ohms
	16-Pin SOIC/T&R	-40 to +85	DS1867S-050/T&R	50K ohms
	16-Pin SOIC	-40 to +85	DS1867S-100	100K ohms
	16-Pin SOIC/T&R	-40 to +85	DS1867S-100/T&R	100K ohms
	<b>DS1868</b>	14-Pin DIP	-40 to +85	DS1868-010
14-Pin DIP		-40 to +85	DS1868-050	50K ohms
14-Pin DIP		-40 to +85	DS1868-100	100K ohms
20-Pin TSSOP		-40 to +85	DS1868E-010	10K ohms
20-Pin TSSOP/T&R		-40 to +85	DS1868E-010/T&R	10K ohms
20-Pin TSSOP		-40 to +85	DS1868E-050	50K ohms
20-Pin TSSOP/T&R		-40 to +85	DS1868E-050/T&R	50K ohms
20-Pin TSSOP		-40 to +85	DS1868E-100	100K ohms

	20-Pin TSSOP/T&R	-40 to +85	DS1868E-100/T&R	100K ohms
	16-Pin SOIC	-40 to +85	DS1868S-010	10K ohms
	16-Pin SOIC/T&R	-40 to +85	DS1868S-010/T&R	10K ohms
	16-Pin SOIC	-40 to +85	DS1868S-050	50K ohms
	16-Pin SOIC/T&R	-40 to +85	DS1868S-050/T&R	50K ohms
	16-Pin SOIC	-40 to +85	DS1868S-100	100K ohms
	16-Pin SOIC/T&R	-40 to +85	DS1868S-100/T&R	100K ohms
<b>DS1869</b>	8-Pin DIP	-40 to +85	DS1869-010	10K ohms
	8-Pin DIP	-40 to +85	DS1869-050	50K ohms
	8-Pin DIP	-40 to +85	DS1869-100	100K ohms
	8-Pin SOIC	-40 to +85	DS1869S-010	10K ohms
	8-Pin SOIC/T&R	-40 to +85	DS1869S-010/T&R	10K ohms
	8-Pin SOIC	-40 to +85	DS1869S-050	50K ohms
	8-Pin SOIC/T&R	-40 to +85	DS1869S-050/T&R	50K ohms
	8-Pin SOIC	-40 to +85	DS1869S-100	100K ohms
	8-Pin SOIC/T&R	-40 to +85	DS1869S-100/T&R	100K ohms
<b>DS18B20</b>	3-Pin TO-92	-55 to +125	DS18B20	
	Flipchip	-55 to +125	DS18B20X	
	8-Pin SOIC	-55 to +125	DS18B20Z	
<b>DS18S20</b>	3-Pin TO-92	-55 to +125	DS18S20	
	8-Pin SOIC	-55 to +125	DS18S20Z	
<b>DS1904</b>	iButton	0 to 70	DS1904L-F5	F5 MicroCan
<b>DS1920</b>	iButton	-55 to +100	DS1920-F5	F5 MicroCan
<b>DS1921</b>	iButton	-10 to +85	DS1921L-F51	F5 MicroCan
	iButton	-20 to +85	DS1921L-F52	F5 MicroCan
	iButton	-30 to +85	DS1921L-F53	F5 MicroCan
<b>DS1921K</b>	Kit		DS1921K	iButton Thermocon Starter Kit
<b>DS1963</b>	iButton	-40 to +70	DS1963L-F5	F5 MicroCan
	iButton	-40 to +70	DS1963S-F5	w/SHA-1 engine, F5 MicroCan
<b>DS1971</b>	iButton	-40 to +85	DS1971-F3	F3 MicroCan
	iButton	-40 to +85	DS1971-F5	F5 MicroCan
<b>DS1973</b>	iButton	-40 to +85	DS1973-F3	F3 MicroCan
	iButton	-40 to +85	DS1973-F5	F5 MicroCan
<b>DS1982</b>	iButton	-40 to +85	DS1982-F3	F3 MicroCan
	iButton	-40 to +85	DS1982-F5	F5 MicroCan

<b>DS1985</b>	iButton	-40 to +85	DS1985-F3	F3 MicroCan
	iButton	-40 to +85	DS1985-F5	F5 MicroCan
<b>DS1986</b>	iButton	-40 to +85	DS1986-F3	F3 MicroCan
	iButton	-40 to +85	DS1986-F5	F5 MicroCan
<b>DS1990A</b>	iButton	-40 to +85	DS1990A-F3	F3 MicroCan
	iButton	-40 to +85	DS1990A-F5	F5 MicroCan
<b>DS1991</b>	iButton	-40 to +70	DS1991L-F5	F5 MicroCan
<b>DS1992</b>	iButton	-40 to +70	DS1992L-F5	F5 MicroCan
<b>DS1993</b>	iButton	-40 to +70	DS1993L-F5	F5 MicroCan
<b>DS1994</b>	iButton	-40 to +70	DS1994L-F5	F5 MicroCan
<b>DS1995</b>	iButton	-40 to +70	DS1995L-F5	F5 MicroCan
<b>DS1996</b>	iButton	-40 to +70	DS1996L-F5	F5 MicroCan
<b>DS2016</b>	24-Pin DIP	-40 to +85	DS2016	100 ns
	24-Pin SOIC	-40 to +85	DS2016S	100 ns
<b>DS2064</b>	28-Pin DIP	-40 to +85	DS2064-200	200 ns
	28-Pin SOIC	-40 to +85	DS2064S-200	200 ns
<b>DS2130</b>	28-Pin DIP	0 to 70	DS2130	
	28-Pin DIP	-40 to +85	DS2130N	
	28-Pin PLCC	0 to 70	DS2130Q	
	28-Pin PLCC	-40 to +85	DS2130QN	
<b>DS2132A</b>	28-Pin DIP	0 to 70	DS2132A	
	28-Pin DIP	-40 to +85	DS2132AN	
	28-Pin PLCC	0 to 70	DS2132AQ	
	28-Pin PLCC	-40 to +85	DS2132AQN	
<b>DS21352</b>	100-Pin LQFP	0 to 70	DS21352L	
	100-Pin LQFP	-40 to +85	DS21352LN	
<b>DS21354</b>	100-Pin LQFP	0 to 70	DS21354L	
	100-Pin LQFP	-40 to +85	DS21354LN	
<b>DS21372</b>	32-Pin TQFP	0 to 70	DS21372T	
	32-Pin TQFP	-40 to +85	DS21372TN	
<b>DS2141A</b>	40-Pin DIP	0 to 70	DS2141A	
	40-Pin DIP	-40 to +85	DS2141AN	
	44-Pin PLCC	0 to 70	DS2141AQ	
	44-Pin PLCC	-40 to +85	DS2141AQN	

<b>DS2143</b>	40-Pin DIP	0 to 70	DS2143	3 volt
	40-Pin DIP	-40 to +85	DS2143N	
	44-Pin PLCC	0 to 70	DS2143Q	
	44-Pin PLCC	-40 to +85	DS2143QN	
<b>DS2148</b>	7 mm CABGA	0 to 70	DS2148G	
	7 mm CABGA	-40 to +85	DS2148GN	
	44-pin TQFP	0 to 70	DS2148T	
	44-pin TQFP	-40 to +85	DS2148TN	
<b>DS2151</b>	44-Pin PLCC	0 to 70	DS2151QB	
	44-Pin PLCC	-40 to +85	DS2151QNB	
<b>DS2152</b>	100-Pin LQFP	0 to 70	DS2152L	
	100-Pin LGFP	-40 to +85	DS2152LN	
<b>DS2153</b>	44-Pin PLCC	0 to 70	DS2153Q-A7	
	44-Pin PLCC	-40 to +85	DS2153QN-A7	
<b>DS2154</b>	100-Pin LQFP	0 to 70	DS2154L	
	100-Pin LQFP	-40 to +85	DS2154LN	
<b>DS21552</b>	100-Pin LQFP	0 to 70	DS21552L	
	100-Pin LQFP	-40 to +85	DS21552LN	
<b>DS21554</b>	100-Pin LQFP	0 to 70	DS21554L	
	100-Pin LQFP	-40 to +85	DS21554LN	
<b>DS2164Q</b>	28-Pin PLCC	0 to 70	DS2164Q	
	28-Pin PLCC	-40 to +85	DS2164QN	
<b>DS2165</b>	24-Pin DIP	0 to 70	DS2165	
	24-Pin DIP	-40 to +85	DS2165N	
	28-Pin PLCC	0 to 70	DS2165Q	
	28-Pin PLCC	0 to 70	DS2165QL	
	28-Pin PLCC	-40 to +85	DS2165QN	
<b>DS2172</b>	32-Pin TQFP	0 to 70	DS2172T	
	32-Pin TQFP	-40 to +85	DS2172TN	
<b>DS2175</b>	16-Pin DIP	0 to 70	DS2175	
	16-Pin DIP	-40 to +85	DS2175N	
	16-Pin SOIC	0 to 70	DS2175S	
	16-Pin SOIC	-40 to +85	DS2175SN	
<b>DS2176</b>	24-Pin DIP	0 to 70	DS2176	

	24-Pin DIP	-40 to +85	DS2176N
	28-Pin PLCC	0 to 70	DS2176Q
	28-Pin PLCC	-40 to +85	DS2176QN
<b>DS2180A</b>	40-Pin DIP	0 to 70	DS2180A
	40-Pin DIP	-40 to +85	DS2180AN
	44-Pin PLCC	0 to 70	DS2180AQ
	44-Pin PLCC	-40 to +85	DS2180AQN
<b>DS2181A</b>	40-Pin DIP	0 to 70	DS2181A
	40-Pin DIP	-40 to +85	DS2181AN
	44-Pin PLCC	0 to 70	DS2181AQ
	44-Pin PLCC	-40 to +85	DS2181AQN
<b>DS2182A</b>	28-Pin DIP	0 to 70	DS2182A
	28-Pin DIP	-40 to +85	DS2182AN
	28-Pin PLCC	0 to 70	DS2182AQ
	28-Pin PLCC	-40 to +85	DS2182AQN
<b>DS2186</b>	20-Pin DIP	0 to 70	DS2186
	20-Pin DIP	-40 to +85	DS2186N
	20-Pin SOIC	0 to 70	DS2186S
	20-Pin SOIC	-40 to +85	DS2186SN
<b>DS2187</b>	18-Pin DIP	0 to 70	DS2187
	20-Pin SOIC	0 to 70	DS2187S
<b>DS2188</b>	16-Pin DIP	0 to 70	DS2188
	16-Pin DIP	-40 to +85	DS2188N
	16-Pin SOIC	0 to 70	DS2188S
	16-Pin SOIC	-40 to +85	DS2188SN
<b>DS21FF42</b>	300-Pin MCM BGA	0 to 70	DS21FF42
	300-Pin MCM BGA	-40 to +85	DS21FF42N
<b>DS21FF44</b>	300-Pin MCM BGA	0 to 70	DS21FF44
	300-Pin MCM BGA	-40 to +85	DS21FF44N
<b>DS21FT40</b>	300-Pin MCM BGA	0 to 70	DS21FT40
	300-Pin MCM BGA	-40 to +85	DS21FT40N
<b>DS21FT42</b>	300-Pin MCM BGA	0 to 70	DS21FT42
	300-Pin MCM BGA	-40 to +85	DS21FT42N
<b>DS21FT44</b>	300-Pin MCM BGA	0 to 70	DS21FT44
	300-Pin MCM BGA	-40 to +85	DS21FT44N



<b>DS21Q352</b>	256-Pin MCM BGA	0 to 70	DS21Q352	
	256-Pin MCM BGA	-40 to +85	DS21Q352N	
<b>DS21Q354</b>	256-Pin MCM BGA	0 to 70	DS21Q354	
	256-Pin MCM BGA	-40 to +85	DS21Q354N	
<b>DS21Q41B</b>	128-Pin TQFP	0 to 70	DS21Q41BT	
	128-Pin TQFP	0 to 70	DS21Q41BT	
	128-Pin TQFP	-40 to +85	DS21Q41BTN	
<b>DS21Q42</b>	128-Pin TQFP	0 to 70	DS21Q42T	
	128-Pin TQFP	-40 to +85	DS21Q42TN	
<b>DS21Q43A</b>	128-Pin TQFP	0 to 70	DS21Q43AT	
	128-Pin TQFP	-40 to +85	DS21Q43ATN	
<b>DS21Q44</b>	128-Pin TQFP	0 to 70	DS21Q44T	
	128-Pin TQFP	-40 to +85	DS21Q44TN	
<b>DS21Q48</b>	144-Pin Quad BGA	0 to 70	DS21Q48	
	144-Pin Quad BGA	-40 to +85	DS21Q48N	
<b>DS21Q552</b>	256-Pin MCM BGA	0 to 70	DS21Q552	
	256-Pin MCM BGA	-40 to +85	DS21Q552N	
<b>DS21Q554</b>	256-Pin MCM BGA	0 to 70	DS21Q554	
	256-Pin MCM BGA	-40 to +85	DS21Q554N	
<b>DS2227</b>	72-Pin SIMM	0 to 70	DS2227-100	100 ns
	72-Pin SIMM	0 to 70	DS2227-120	120 ns
	72-Pin SIMM	0 to 70	DS2227-70	70 ns
<b>DS229</b>	20-Pin DIP	0 to 70	DS229	
	20-Pin DIP	-40 to +85	DS229N	
	20-Pin TSSOP	0 to 70	DS229E	
	20-Pin TSSOP	-40 to +85	DS229EN	
	20-Pin SOIC	0 to 70	DS229S	
	20-Pin SOIC	-40 to +85	DS228SN	
	20-Pin SOIC T&R	0 to 70	DS229S/T&R	
<b>DS2229</b>	80-Pin SIMM	0 to 70	DS2229-85	85 ns
<b>DS2250</b>	40-Pin SIMM 32k bytes	0 to 70	DS2250-32-16	16 MHz
	40-Pin SIMM 64k bytes	0 to 70	DS2250-64-16	16 MHz
	40-Pin SIMM 8k bytes	0 to 70	DS2250-8-16	16 MHz

<b>DS2250T</b>	40-Pin SIMM 32k bytes	0 to 70	DS2250T-32-16	16 MHz w/RTC
	40-Pin SIMM 64k bytes	0 to 70	DS2250T-64-16	16 MHz w/RTC
	40-Pin SIMM 8k bytes	0 to 70	DS2250T-8-16	16 MHz w/RTC
<b>DS2251T</b>	72-Pin SIMM 128k bytes	0 to 70	DS2251T-128-16	16 MHz w/RTC
	72-Pin SIMM 32k bytes	0 to 70	DS2251T-32-16	16 MHz w/RTC
	72-Pin SIMM 64k bytes	0 to 70	DS2251T-64-16	16 MHz w/RTC
<b>DS2252T</b>	40-Pin SIMM 128k bytes	0 to 70	DS2252T-128-16	16 MHz w/RTC
	40-Pin SIMM 32k bytes	0 to 70	DS2252T-32-16	16 MHz w/RTC
	40-Pin SIMM 64k bytes	0 to 70	DS2252T-64-16	16 MHz w/RTC
<b>DS232A</b>	16-Pin DIP	0 to 70	DS232A	
	16-Pin DIP	-40 to +85	DS232A-N	
	20-Pin TSSOP	0 to 70	DS232AE	
	20-Pin TSSOP	-40 to +85	DS232AE-N	
	16-Pin SOIC (150-Mil)	0 to 70	DS232AR	
	16-Pin SOIC (150-Mil) T&R	0 to 70	DS232AR/T&R	
	16-Pin SOIC (150-Mil)	-40 to +85	DS232AR-N	
	16-Pin SOIC (150-Mil) T&R	-40 to +85	DS232AR-N/T&R	
	16-Pin SOIC (150-Mil)	0 to 70	DS232AS	
	16-Pin SOIC (150-Mil) T&R	0 to 70	DS232AS/T&R	
	16-Pin SOIC (150-Mil)	-40 to +85	DS232AS-N	
	16-Pin SOIC (150-Mil) T&R	-40 to +85	DS232AS-N/T&R	
<b>DS2401</b>	TO-92	-40 to +85	DS2401	
	TO-92/T&R	-40 to +85	DS2401/AMOPAK	
	TO-92/T&R	-40 to +85	DS2401/T&R	
	TO-92/T&R	-40 to +85	DS2401/T&R/SL	Straight Leads
	6-Lead TSOC	-40 to +85	DS2401P	
	6-Lead TSOC/T&R	-40 to +85	DS2401P/T&R	
	Chip Scale/T&R	-40 to +85	DS2401X1	
	SOT-223	-40 to +85	DS2401Z	
	SOT-223/T&R	-40 to +85	DS2401Z/T&R	
<b>DS2404</b>	16-Pin DIP	-40 to +85	DS2404-001	
	16-Pin SSOP	-40 to +85	DS2404B	
	16-Pin SSOP/T&R	-40 to +85	DS2404B/T&R	
	16-Pin SOIC	-40 to +85	DS2404-C01	Touch Pen (84/001)
	16-Pin SOIC	-40 to +85	DS2404S-001	
	16-Pin SOIC/T&R	-40 to +85	DS2404S-001/T&R	
16-Pin SOIC	-40 to +85	DS2404S-C01	Touch Pen (84/001)	
<b>DS2405</b>	TO-92	-40 to +85	DS2405	
	TO-92/T&R	-40 to +85	DS2405/T&R	

	6-Lead TSOC	-40 to +85	DS2405P	
	6-Lead TSOC/T&R	-40 to +85	DS2405P/T&R	
	SOT-223	-40 to +85	DS2405Z	
	SOT-223/T&R	-40 to +85	DS2405Z/T&R	
<b>DS2406</b>	TO-92	-40 to +85	DS2406	
	TO-92/T&R	-40 to +85	DS2406/T&R	
	6-Lead TSOC	-40 to +85	DS2406P	
	6-Lead TSOC/T&R	-40 to +85	DS2406P/T&R	
	Chip Scale/T&R	-40 to +85	DS2406X	
<b>DS2407</b>	TO-92	-40 to +85	DS2407	
	6-Lead TSOC	-40 to +85	DS2407P	
<b>DS2409</b>	6-Lead TSOC	-40 to +85	DS2409P	
	6-Lead TSOC/T&R	-40 to +85	DS2409P/T&R	
<b>DS2415</b>	6-Pin TSOC	-40 to +85	DS2415P	
	Flipchip	-40 to +85	DS2415X	
<b>DS2417</b>	6-Lead TSOC	-40 to +85	DS2417P	
	6-Lead TSOC/T&R	-40 to +85	DS2417P/T&R	
	Chip Scale/T&R	-40 to +85	DS2417X	
<b>DS2423</b>	6-Lead TSOC	-40 to +85	DS2423P	
	6-Lead TSOC	-40 to +85	DS2423P	
	6-Lead TSOC/T&R	-40 to +85	DS2423P/T&R	
	Chip Scale/T&R	-40 to +85	DS2423X	
<b>DS2430A</b>	TO-92	-40 to +85	DS2430A	
	TO-92/T&R	-40 to +85	DS2430A/T&R	
	6-Lead TSOC	-40 to +85	DS2430AP	
	6-Lead TSOC/T&R	-40 to +85	DS2430AP/T&R	
	Chip Scale/T&R	-40 to +85	DS2430AX	
<b>DS2433</b>	PR-35	-40 to +85	DS2433	
	PR-35/T&R	-40 to +85	DS2433/T&R	
	8-Pin SOIC	-40 to +85	DS2433S	
	8-Pin SOIC/T&R	-40 to +85	DS2433S/T&R	
	Chip Scale/T&R	-40 to +85	DS2433X	
<b>DS2433-Z01</b>	8-Pin SOIC	-40 to +85	DS2433S-Z01	10k write cycles
	8-Pin SOIC/T&R	-40 to +85	DS2433S-Z01/T&R	10k write cycles
	Chip Scale/T&R	-40 to +85	DS2433X-Z01	10k write cycles
	PR-35	-40 to +85	DS2433-Z01	10k write cycles
	PR-35/T&R	-40 to +85	DS2433-Z01/T&R	10k write cycles

<b>DS2434</b> <b>DS2434S</b>	PR-35 16-Pin SSOP	-40 to +85 -40 to +85	DS2434 DS2434S	
<b>DS2435</b> <b>DS2435S</b>	PR-35 16-Pin SSOP	-40 to +85 -40 to +85	DS2435 DS2435S	
<b>DS2436</b>	PR-35 3-Pin TO-92 8-Pin SOIC	-40 to +85 -40 to +85 -40 to +85	DS2436 DS2436B DS2436Z	
<b>DS2437</b> <b>DS2437</b>	16-Pin SSOP 16-Pin SSOP	-40 to +85 -40 to +85	DS2437 DS2437S	
<b>DS2438</b>	8-Pin SOIC	-40 to +85	DS2438Z	
<b>DS2441</b> <b>DS2441</b>	Flipchip 8-Pin SOIC	-40 to +85 -40 to +85	DS2441X DS2441Z	
<b>DS2442</b> <b>DS2442</b>	Flipchip 8-Pin SOIC	-40 to +85 -40 to +85	DS2442X DS2442Z	
<b>DS2450</b> <b>DS2450</b> <b>DS2450</b> <b>DS2450K</b>	8-Pin SOIC 8-Pin SOIC 8-Pin SOIC/T&R Kit	-40 to +85 -40 to +85 -40 to +85	DS2450S DS2450S DS2450S/T&R DS2450K	10k write cycles  DS2450 Development Kit
<b>DS2480</b> <b>DS2480B</b> <b>DS2480B</b>	8-Pin SOIC 8-Pin SOIC 8-Pin SOIC/T&R	-40 to +85 -40 to +85 -40 to +85	DS2480S DS2480B DS2480B/T&R	
<b>DS2490</b>	24-Pin SOIC 24-Pin SOIC/T&R Chip Scale/T&R	0 to 70 0 to 70 0 to 70	DS2490S DS2490S/T&R DS2490X	
<b>DS2502</b>	TO-92 6-Pin TSOC 8-Pin SOIC	-40 to +85 -40 to +85 -40 to +85	DS2502 DS2502P DS2502S	
<b>DS2502-E64</b>	TO-92 6-Pin TSOC TO-92 6-Pin TSOC	-40 to +85 -40 to +85 -40 to +85 -40 to +85	90-U0901-128 90-U09P1-128 DS2502-E64 DS2502P-E64	Dallas IEEE EUI-64 Node ID Dallas IEEE EUI-64 Node ID IEEE EUI-64 Node ID IEEE EUI-64 Node ID
<b>DS2502-UNW</b>	6-Pin TSOC 8-Pin SOIC	-40 to +85 -40 to +85	DS2502P-UNW-PPPP DS2502S-UNW-PPPP	

<b>DS2505</b>	TO-92	-40 to +85	DS2502-UNW-PPPP	
	TO-92	-40 to +85	DS2505	
	TO-92	-40 to +85	DS2505	
	TO-92/T&R	-40 to +85	DS2505/T&R	
	6-Pin TSOC	-40 to +85	DS2505P	
	6-Pin TSOC	-40 to +85	DS2505P	
	6-Pin TSOC/T&R	-40 to +85	DS2505P/T&R	
<b>DS2506</b>	PR-35	-40 to +85	DS2506	
	PR-35	-40 to +85	DS2506	
	8-Pin SOIC	-40 to +85	DS2506S	
	8-Pin SOIC	-40 to +85	DS2506S	
<b>DS275</b>	8-Pin DIP	0 to 70	DS275	
	8-Pin DIP	-40 to +85	DS275-N	
	14-Pin TSSOP	0 to 70	DS275E	
	14-Pin TSSOP T&R	0 to 70	DS275E/T&R	
	14-Pin TSSOP	-40 to +85	DS275E-N	
	8-Pin SOIC	0 to 70	DS275S	
	8-Pin SOIC T&R	0 to 70	DS275S/T&R	
<b>DS276</b>	8-Pin DIP	0 to 70	DS276	
	8-Pin TSSOP	0 to 70	DS276E	
	8-Pin SOIC	0 to 70	DS276S	
	8-Pin SOIC T&R	0 to 70	DS276S/T&R	
	8-Pin SOIC	0 to 70	DS276SN	
	8-Pin SOIC T&R	0 to 70	DS276SN/T&R	
<b>DS2760</b>	16-Pin TSSOP	-40 to +85	DS2760E	
	16-Pin TSSOP	-40 to +85	DS2760E-025	Integrated 25mOhm Rsense
	Flipchip	-40 to +85	DS2760X	
	Flipchip	-40 to +85	DS2760X-025	Integrated 25mOhm Rsense
<b>DS2890</b>	TO-92	-40 to +85	DS2890	
	TO-92/T&R	-40 to +85	DS2890/T&R	
	6-Lead TSOC	-40 to +85	DS2890P	
	6-Lead TSOC/T&R	-40 to +85	DS2890P/T&R	
	Chip Scale/T&R	-40 to +85	DS2890X	
<b>DS32KHz</b>	36-Pin BGA	0 to 70	DS32KHZ/BGA	
	14-Pin Encap. DIP	0 to 70	DS32KHZ/DIP	
	36-Pin BGA	-40 to +85	DS32KHZN/BGA	
	14-Pin Encap. DIP	-40 to +85	DS32KHZN/DIP	
<b>DS3800</b>	Battery Cap	-40 to +85	DS3800	

<b>DS4201</b>	28-Pin DIP	0 to 70	DS4201	
	28-Pin DIP	0 to 70	DS4201	
	44-Pin QFP	0 to 70	DS4201F	
	44-Pin QFP	0 to 70	DS4201F	
<b>DS4802</b>	8-Pin DIP	0 to 70	DS4802	
	8-Pin SOIC	0 to 70	DS4802S	
	8-Pin uSOP	0 to 70	DS4802U	
	8-bump Flip-Chip	0 to 70	DS4802X	
<b>DS4812</b>	8-Pin DIP	0 to 70	DS4812	
	8-Pin SOIC	0 to 70	DS4812S	
	8-Pin uSOP	0 to 70	DS4812U	
	8-bump Flip-Chip	0 to 70	DS4812X	
<b>DS5000</b>	40-Pin Module 32k bytes	0 to 70	DS5000-32-16	16 MHz
<b>DS5000</b>	40-Pin Module 8k bytes	0 to 70	DS5000-8-16	16 MHz
<b>DS5000FP</b>	80-Pin TQFP	0 to 70	DS5000FP-16	16 MHz
<b>DS5000T</b>	40-Pin Module 32k bytes	0 to 70	DS5000T-32-16	16 MHz w/RTC
<b>DS5000T</b>	40-Pin Module 8k bytes	0 to 70	DS5000T-8-16	16 MHz w/RTC
<b>DS5001FP</b>	80-Pin TQFP	0 to 70	DS5001FP-16	16 MHz
<b>DS5002FP</b>	80-Pin TQFP	0 to 70	DS5002FP-16	16 MHz
<b>DS5002FPM</b>	80-Pin TQFP	0 to 70	DS5002FPM-16	16 MHz
<b>DS56</b>	8-Pin SOIC	-40 to +125	DS56S	
	8-Pin SOIC	-40 to +125	DS56S	
	8-Pin uSOP	-40 to +125	DS56U	
	Flipchip	-40 to +125	DS56X	
<b>DS60</b>	3-Pin SOT23	-40 to +125	DS60R	
	3-Pin SOT23	-40 to +125	DS60R	
	Flipchip	-40 to +125	DS60X	
<b>DS75</b>	8-Pin SOIC	-55 to +125	DS75S	
	8-Pin SOIC	-55 to +125	DS75S	
	8-Pin uSOP	-55 to +125	DS75U	
	Flipchip	-55 to +125	DS75X	
<b>DS76KHz</b>	36-Pin BGA	0 to 70	DS76KHz/BGA	
	36-Pin BGA	-40 to +85	DS76KHzN/BGA	
<b>DS80C310</b>	44-Pin TQFP	0 to 70	DS80C310-ECG	25 MHz
	40-Pin PDIP	0 to 70	DS80C310-MCG	25 MHz
	44-Pin PLCC	0 to 70	DS80C310-QCG	25 MHz
<b>DS80C320</b>	44-Pin TQFP	0 to 70	DS80C320-ECG	25 MHz

	44-Pin TQFP	0 to 70	DS80C320-ECL	33 MHz
	44-Pin TQFP	-40 to +85	DS80C320-ENG	25 MHz
	44-Pin TQFP	-40 to +85	DS80C320-ENL	33 MHz
	40-Pin PDIP	0 to 70	DS80C320-MCG	25 MHz
	40-Pin PDIP	0 to 70	DS80C320-MCL	33 MHz
	40-Pin PDIP	-40 to +85	DS80C320-MNG	25 MHz
	40-Pin PDIP	-40 to +85	DS80C320-MNL	33 MHz
	44-Pin PLCC	0 to 70	DS80C320-QCG	25 MHz
	44-Pin PLCC	0 to 70	DS80C320-QCL	33 MHz
	44-Pin PLCC	-40 to +85	DS80C320-QNG	25 MHz
	44-Pin PLCC	-40 to +85	DS80C320-QNL	33 MHz
<b>DS80C323</b>	44-Pin TQFP	0 to 70	DS80C323-ECD	18 MHz
	40-Pin DIP	0 to 70	DS80C323-MCD	18 MHz
	44-Pin PLCC	0 to 70	DS80C323-QCD	18 MHz
<b>DS80C390</b>	64-Pin LQFP	0 to 70	DS80C390-FCR	40 MHz
	64-Pin LQFP	-40 TO +85	DS80C390-FNR	40 MHz
	68-Pin PLCC	0 to 70	DS80C390-QCR	40 MHz
	68-Pin PLCC	-40 TO +85	DS80C390-QNR	40 MHz
<b>DS80CH11</b>	128-Pin TQFP	0 to 70	DS80CH11-E02	
<b>DS87C520</b>	44-Pin TQFP	0 to 70	DS87C520-ECL	33 MHz
	44-Pin TQFP	-40 to +85	DS87C520-ENL	33 MHz
	40-Pin PDIP	0 to 70	DS87C520-MCL	33 MHz
	40-Pin PDIP	-40 to +85	DS87C520-MNL	33 MHz
	44-Pin PLCC	0 to 70	DS87C520-QCL	33 MHz
	44-Pin PLCC	-40 to +85	DS87C520-QNL	33 MHz
	40-Pin Windowed	0 to 70	DS87C520-WCL	33 MHz
<b>DS87C530</b>	52-Pin TQFP	0 to 70	DS87C530-ECL	33 MHz
	52-Pin TQFP	-40 to +85	DS87C530-ENL	33 MHz
	52-Pin Windowed	0 to 70	DS87C530-KCL	33 MHz
	52-Pin PLCC	0 to 70	DS87C530-QCL	33 MHz
	52-Pin PLCC	-40 to +85	DS87C530-QNL	33 MHz
<b>DS87C550</b>	80-Pin PQFP	0 to 70	DS877C550-FCL	33 MHz
	80-Pin PQFP	-40 to +85	DS877C550-FNL	33 MHz
	68-Pin Windowed CLCC	0 to 70	DS877C550-KCL	33 MHz
	68-Pin PLCC	0 to 70	DS877C550-QCL	33 MHz
	68-Pin PLCC	-40 to +85	DS877C550-QNL	33 MHz
<b>DS9000</b>			DS9000	
<b>DS9002</b>			DS9002	
<b>DS9003</b>			DS9003	

<b>DS9034PC</b>	PowerCap	-40 to +85		For NV SRAM
<b>DS9034PC</b>	PowerCap	-40 to +85		For NV SRAM
<b>DS9034PCX</b>	PowerCap	-40 to +85	DS9034PCX	For Timekeepers
<b>DS9034PCX</b>	PowerCap	0 to 70		For Timekeepers
<b>DS9091K</b>	Kit		DS9091K	Windows 3.1
<b>DS9092</b>			DS9092	Panel-mount Probe
			DS9092-1	iButton probe contact, parallel wall
			DS9092-2	iButton probe contact, angled mount
			DS9092-3	iButton probe insert, plastic body
			DS9092-4	iButton probe contact, center contact
			DS9092GT	Hand-Grip Probe with Tactile Feedback
			DS9092T	Panel-mount Probe, Tactile Feedback
<b>DS9092K</b>	Kit		DS9092K	Starter Kit, DOS, W31, W95/NT
<b>DS9092L</b>			DS9092L	Panel-mount Probe w/LED
<b>DS9092R</b>	Tabbed F5 MicroCan		DS9092R	No Groove
	Tabbed F5 MicroCan		DS9092RG	With Groove
<b>DS9093A</b>			DS9093A	Angled fob, black
			DS9093AB	Angled fob, blue
			DS9093AG	Angled fob, green
			DS9093AR	Angled fob, red
			DS9093AY	Angled fob, yellow
<b>DS9093F</b>			DS9093F	Flat forked fob, black
<b>DS9093N</b>			DS9093N	Angled fob, through hole, black
<b>DS9093P</b>			DS9093P	iButton mount, 1 Pin, 1 Hole
<b>DS9093R</b>			DS9093RA	Lock Ring
<b>DS9093R</b>			DS9093RB	Flange Enlargement
<b>DS9093S</b>			DS9093S	iButton mount, 2 Holes
<b>DS9094F</b>			DS9094F	iButton clip, through mount, F5
<b>DS9094F</b>			DS9094FS	iButton clip, surface mount, F5
<b>DS9094-SM</b>			DS9094-SM3	iButton metal clip, surface mount, F3
<b>DS9094-SM</b>			DS9094-SM5	iButton metal clip, surface mount, F5
<b>DS9096</b>			DS9096P	Permanent Bond
<b>DS9097</b>	Adapter DB-9	0 to 70	DS9097	Standard, no ID
	Adapter DB-25	0 to 70	DS9097E	EPROM upgraded, no ID
<b>DS9097U</b>	Adapter DB-9	0 to 70	DS9097U-009	Active, Overdrive, with ID
<b>DS9097U</b>	Adapter DB-9	0 to 70	DS9097U-S09	Active, Overdrive, no ID



<b>DS9098</b>			DS9098	Retainer, surface mount, F5
<b>DS9100</b>			DS9100-A DS9100-B DS9100-C	Ground Contact Data Contact Cantilever Data Contact Spring Assembly
<b>DS9101</b>			DS9101	Clip, for F5 MicroCan only
<b>DS9104</b>	Ring	-40 to +70	DS9104-060	Size 6
	Ring	-40 to +70	DS9104-065	Size 6.5
	Ring	-40 to +70	DS9104-070	Size 7
	Ring	-40 to +70	DS9104-075	Size 7.5
	Ring	-40 to +70	DS9104-080	Size 8
	Ring	-40 to +70	DS9104-085	Size 8.5
	Ring	-40 to +70	DS9104-090	Size 9
	Ring	-40 to +70	DS9104-095	Size 9.5
	Ring	-40 to +70	DS9104-100	Size 10
	Ring	-40 to +70	DS9104-105	Size 10.5
	Ring	-40 to +70	DS9104-110	Size 11
	Ring	-40 to +70	DS9104-115	Size 11.5
	Ring	-40 to +70	DS9104-120	Size 12
<b>DS9106</b>			DS9106L-BL DS9106L-GN DS9106L-OG DS9106L-PK DS9106L-WH DS9106L-YL DS9106S-BL DS9106S-GN DS9106S-OG DS9106S-PK DS9106S-WH DS9106S-YL	Blue, 60 mm Green, 60 mm Orange, 60 mm Pink, 60 mm White, 60 mm Yellow, 60 mm Blue, 20 mm Green, 20 mm Orange, 20 mm Pink, 20 mm White, 20 mm Yellow, 20 mm
<b>DS9502</b>	6-Pin TSOC 6-Pin TSOC/T&R	-40 to +85 -40 to +85	DS9502P DS9502P/T&R	
<b>DS9503</b>	6-Pin TSOC 6-Pin TSOC/T&R Chip Scale/T&R	-40 to +85 -40 to +85 -40 to +85	DS9503P DS9503P/T&R DS9503X	
<b>DSJ</b>			DSJ1001 DSJ1002 DSJ2001	Oval leather fob Rectangular leather fob iButton watch

			DSJ2002	iButton keeper
			DSJ2003	iButton watch, ladies
			DSJ3001	Front pocket wallet
			DSJ4001	iButton metal card
<b>DS2105</b>	16-Pin SOIC (150 mil) 16-Pin SOIC (300 mil)	0 to 70 0 to 70	DS2105Z DS2105S	5% 9-Channel SCSI Terminator 5% 9-line SE SCSI Terminator
<b>DS2108</b>	24-Pin SOIC (300 mil)	0 to 70	DS2108S	Differential (HVD) Switchable SCSI Terminator
<b>DS2109</b>	28-Pin SOIC (300 mil)	0 to 70	DS2109S	2% 18-Channel SE Plug and Play SCSI Terminator
<b>DS2110</b>	16-Pin SOIC (300 mil)	0 to 70	DS2110Z	9-Channel SCSI Terminator
<b>DS2114</b>	16-Pin SOIC (300 mil)	0 to 70	DS2114Z	9-Channel SCSI Terminator
<b>DS2117M</b>	36-Pin SSOP 39-bump FLIP CHIP	0 to 70 0 to 70	DS2117MB DS2117MX	5% 9-Channel LVD/SE Ultra2 SCSI Terminator 5% 9-Channel LVD/SE Ultra2 SCSI Terminator
<b>DS2118M</b>	36-Pin SSOP	0 to 70	DS2118MB	5% 9-Channel LVD/SE Ultra2 SCSI Terminator
<b>DS2119M</b>	28-Pin TSSOP	0 to 70	DS2119ME	5% 9-Channel LVD/SE Ultra2 SCSI Terminator
<b>DS21S07A</b>	16-Pin SOIC (300 mil) 20-Pin TSSOP	0 to 70 0 to 70	DS21S07AS DS21S07AE	2% 9-line SE SCSI Terminator 2% 9-line SE SCSI Terminator
<b>DS21T05</b>	16-Pin SOIC (150 mil)	0 to 70	DS21T05Z	5% 9-Channel SCSI Terminator
<b>DS21T06</b>	28-PIN SOIC (300 mil)	0 to 70	DS21T09S	5% 18-Channel SCSI Terminator
<b>DS21T07</b>	16-Pin SOIC (300 mil) 20-Pin TSSOP	0 to 70 0 to 70	DS21T07S DS21T07E	5% 9-Channel SCSI Terminator 5% 9-Channel SCSI Terminator
<b>DS21T09</b>	28-Pin SOIC (300 mil)	0 to 70	DS21T09S	2% 18-Channel Plug and Play SCSI Terminator
<b>DS21T11</b>	28-Pin SOIC (300 mil)	0 to 70	DS21T11	2% 18-line SE Terminator PD Option
<b>DS21T16</b>	20-Pin TSSOP	0 to 70	DS21T16	3.3V 9-Channel SCSI Terminator