

Fig. 1

- Series 800 and 802 single & double row interconnects feature sturdy 1,02 Dia. leads (MM #3077) and low profile (1,80 thick) insulator. See page 182 for details.
- Series 801 and 803 single and double row sockets use MM #1313 receptacles. See page 151 for details.
- Series 801 and 803 receptacles use Hi-Rel, 6-finger BeCu #18 contacts rated at 8 amps. Receptacles accept 0,94 - 1,09 diameter pins. See page 222 for details.
- Insulators are high temp. thermoplastic.

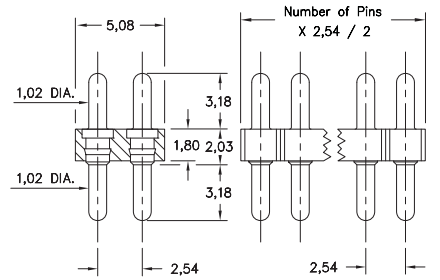
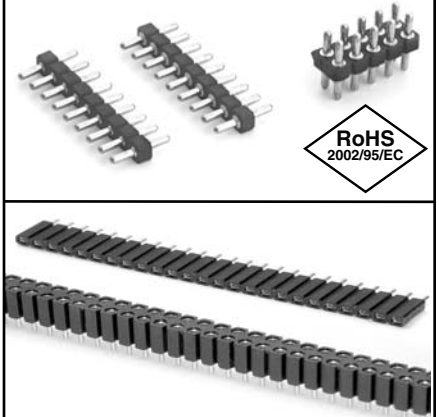


Fig. 2

Ordering Information

Fig. 1

Series 800...10-004 Single Row Pin Header

800-XX-0__-10-004000

Specify # of pins ↳ 01-50

Fig. 2

Series 802...10-004 Double Row Pin Header

802-XX-__-10-004000

Specify # of pins ↳ 04-100

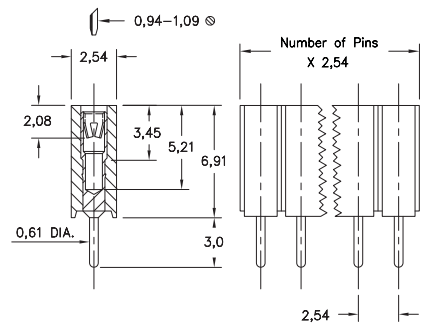


Fig. 3

For Electrical, Mechanical & Environmental Data, See pg. 4

XX=Plating Code See Below

For RoHS compliance select ◇ plating code.

SPECIFY PLATING CODE XX=	10◇	90	40◇	
Pin Plating	0,25µm Au	5,08µm Sn/Pb	5,08µm Sn	

Fig. 3

Series 801...10-004 Single Row Socket

801-XX-0__-10-004000

Specify # of pins ↳ 01-50

Fig. 4

Series 803...10-004 Double Row Socket

803-XX-__-10-004000

Specify # of pins ↳ 004-100

For Electrical, Mechanical & Environmental Data, See pg. 4

XX=Plating Code See Below

For RoHS compliance select ◇ plating code.

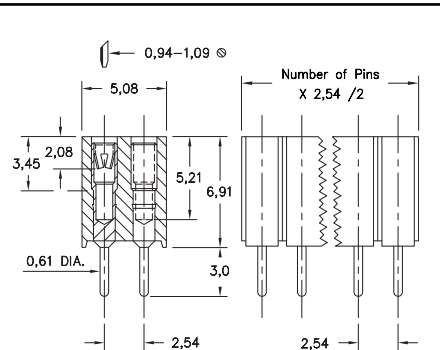


Fig. 4

SPECIFY PLATING CODE XX=		93	99	43◇	
Sleeve (Pin)		5,08µm Sn/Pb	5,08µm Sn/Pb	5,08µm Sn	
Contact (Clip)		0,76µm Au	5,08µm Sn/Pb	0,76µm Au	