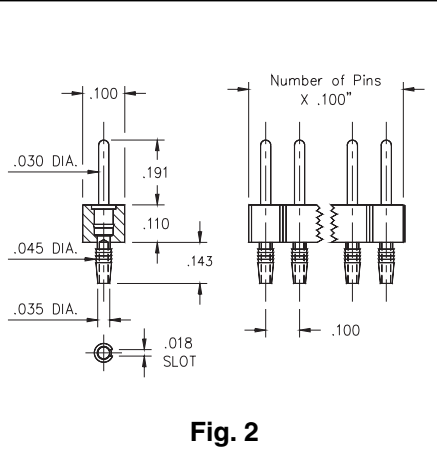
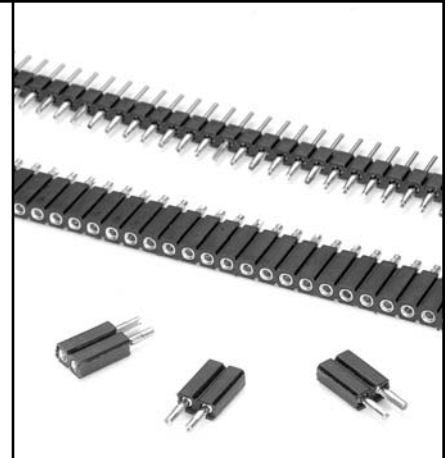
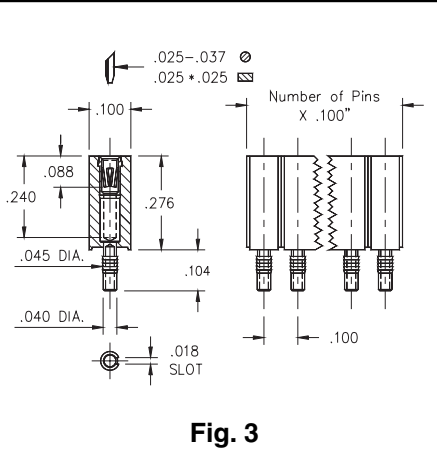


- The unique compliant tail pins conform to .040" ±.003 finished hole without stressing inner layers.
- Pin headers are offered in two tail lengths for .060"-.100" (MM# 5601) and .090"-.130" (MM# 5602) thick panels. (See page 178 for details)
- Sockets use Hi-Rel, six-finger clips which accept .030" dia. pins and also .025" square pins. (MM# 4614 or 4615). (See page 147 for details)



Ordering Information

Fig. 1	Compliant Tail Pin Header for .060 - .100" thick boards
	800-XX-0 __ -61-001000 Specify # of pins → 01-64
Fig. 2	Compliant Tail Pin Header for .090 - .130" thick boards
	800-XX-0 __ -62-001000 Specify # of pins → 01-64



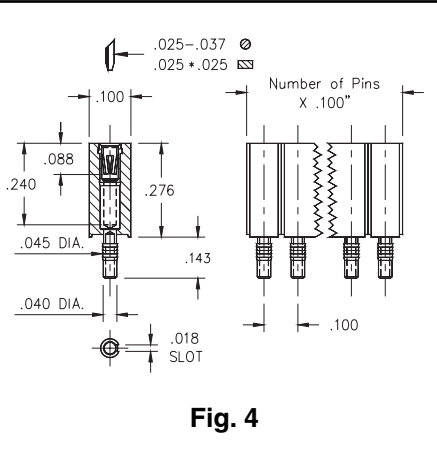
RoHS 2002/95/EC

XX= Plating Code See Below

For RoHS compliance, select \diamond plating code. For the gold option (XX=10) also change part number from 800-XX-0XX-6X-001000 to 800-10-0XX-6X-001100

SPECIFY PLATING CODE XX=	10 \diamond	90	40 \diamond	
Pin Plating	10 μ " Au	200 μ " Sn/Pb	200 μ " Sn	

Fig. 3	Compliant Tail Socket for .060 - .100" thick boards
	801-XX-0 __ -61-001000 Specify # of pins → 01-50
Fig. 4	Compliant Tail Socket for .090 - .130" thick boards
	801-XX-0 __ -62-001000 Specify # of pins → 01-50



RoHS 2002/95/EC

XX= Plating Code See Below

SPECIFY PLATING CODE XX=	13 \diamond	93	99	43 \diamond	44 \diamond
Sleeve (Pin)	10 μ " Au	200 μ " Sn/Pb	200 μ " Sn/Pb	200 μ " Sn	200 μ " Sn
Contact (Clip)	30 μ " Au	30 μ " Au	200 μ " Sn/Pb	30 μ " Au	200 μ " Sn