

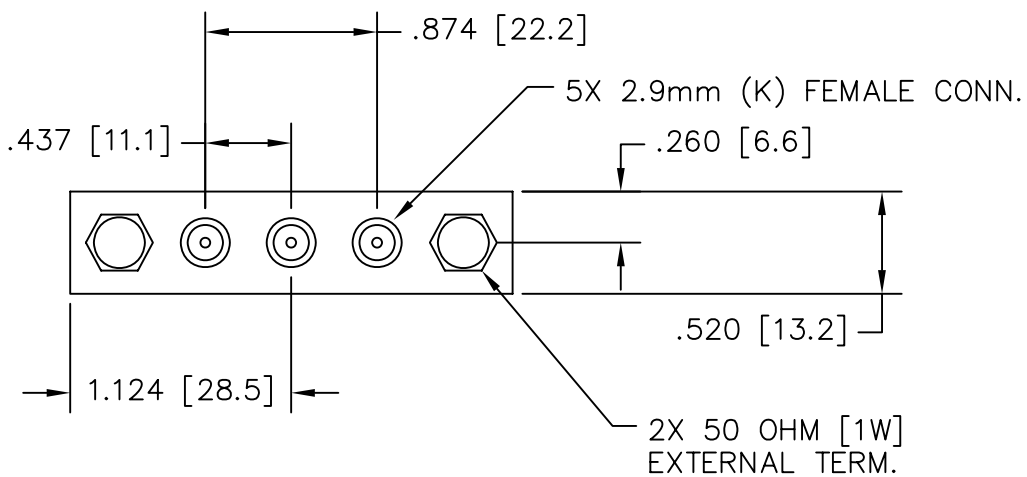
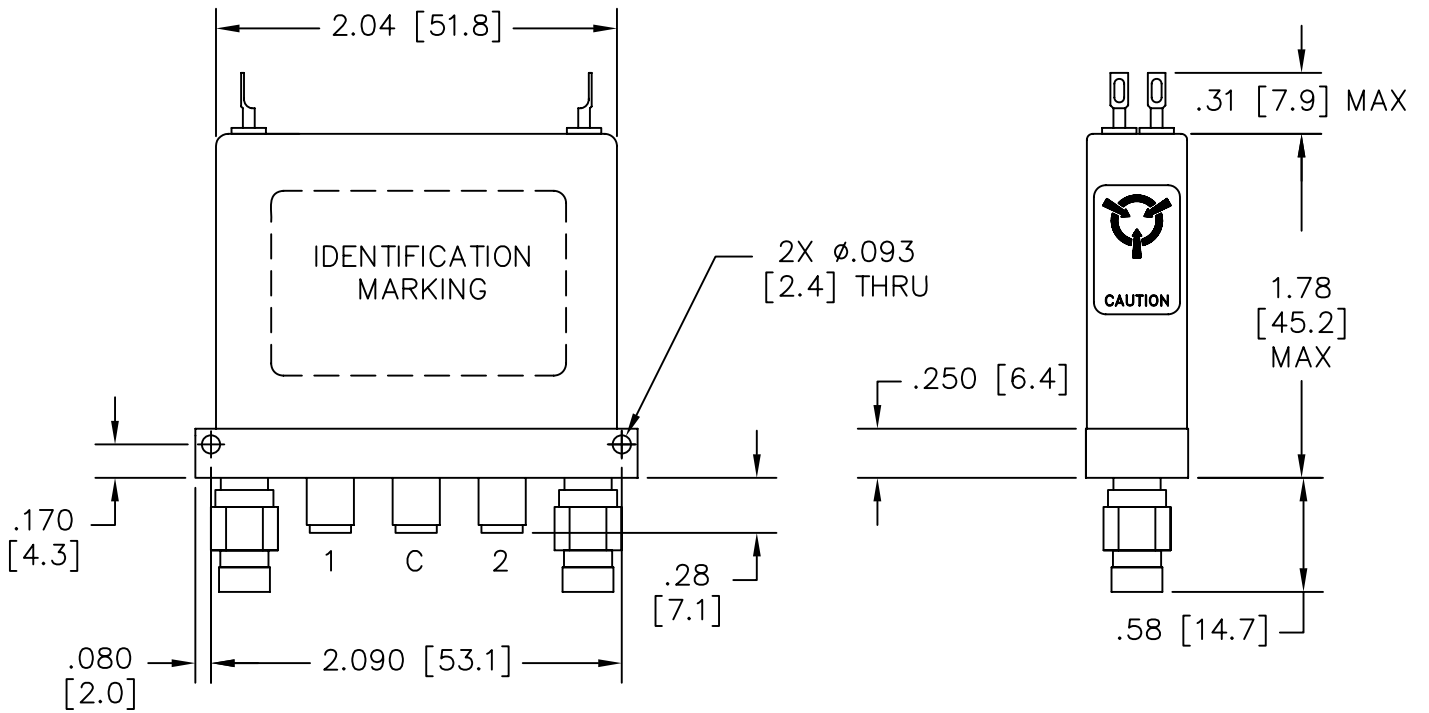
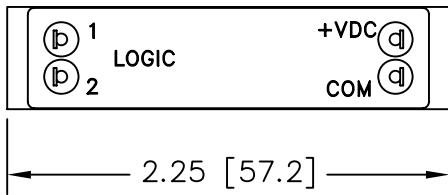


REVISIONS			
REV.	DESCRIPTION	DATE	APPROVED
A	PRODUCTION RELEASE	1/24/07	K.R.

Nominal Coil Voltage	Part Number
12 Vdc	521Y-421103A
15 Vdc	521Y-491103A
24 Vdc	521Y-481103A
28 Vdc	521Y-431103A

REVISIONS	A	A	A				 DowKey[®] Microwave CORPORATION	4822 McGrath Street Ventura, CA. 93003-5641 PH: (805) 650-0260 FAX: (805) 650-1734
SHEET NO.	1	2	3					
APPROVALS			DATE					SWITCH, SPDT, LATCHING SELF CUT-OFF, TTL, 2.9mm (K) FEMALE CONNECTORS, 50 OHM [1W] TERMINATIONS, FREQ: 40 GHz
DRAWN	S. LEE		1/24/07					
ENG	G. NICKLAUS		1/24/07					
ENG. MGR.	R. SZNUK		1/24/07					
SALES MGR.	J. TRUJILLO		1/24/07					
Q.A. MGR.	N. SANDERS		1/24/07					
MFG. MGR.	S. ORNELAS		1/24/07				CODE IDENT. NO. 00471	DWG. NO. 521Y-4X1103A
SCALE			NONE		FINAL ASSY:		SHEET 1 OF 3	

OUTLINE DRAWING:



[] MILLIMETERS

UNLESS OTHERWISE SPECIFIED TOLERANCES ARE:
.XXX ±.010 ANGLES: ±3°
.XX ±.030

CODE IDENT. NO.
00471

DWG. NO.

521Y-4X1103A

REV.
A

SCALE NONE

SHEET 2 OF 3

SPECIFICATIONS:

1. RF CHARACTERISTICS:

1.1 FREQUENCY (GHz):	DC-6	6-12	12-18	18-26.5	26.5-40
1.2 VSWR (RATIO MAX):	1.30:1	1.40:1	1.50:1	1.70:1	1.80:1
1.3 INSERTION LOSS (dB MAX):	0.30	0.40	0.50	0.70	0.80
1.4 ISOLATION (dB MIN):	80	70	65	60	55
1.5 RF POWER (WATTS CW MAX):	35	30	25	20	15

2. ACTUATION DATA:

2.1	NOMINAL VOLTAGE	OPERATING VOLTAGE	CURRENT (TYP) @ NOMINAL VOLTAGE & 25°C
	12	11-14	415mA
	15	13-17	330mA
	24	20-28	210mA
	28	24-32	180mA

2.2 SWITCHING TIME: 20ms MAX

2.3 OPERATING MODE: LATCHING SELF CUT-OFF, TTL CONTROL

3. MECHANICAL:

3.1 RF CONTACTS: BREAK BEFORE MAKE

3.2 WEIGHT: 5.0oz. (142g.) NOMINAL

3.3 DESIGN LIFE: 1,000,000 CYCLES MIN

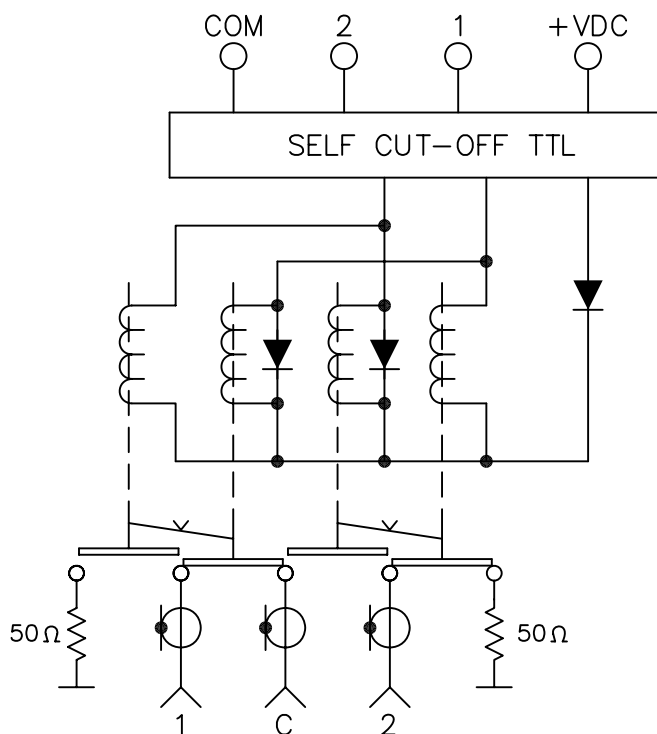
4. ENVIRONMENTAL:

4.1 OPERATING TEMPERATURE: -25°C TO +65°C

4.2 STORAGE TEMPERATURE: -55°C TO +85°C

4.3 SEAL: SAND AND DUST

SCHEMATIC:



LOGIC TRUTH TABLE		
RF PATH	LOGIC INPUT "1"	LOGIC INPUT "2"
C-1	1	0
C-2	0	1

LOGIC HI (ON) = 2.4-5.5Vdc

LOGIC LOW (OFF) = 0-0.8Vdc

CODE IDENT. NO. 00471	DWG. NO. 521Y-4X1103A	REV. A
SCALE NONE	SHEET 3 OF 3	