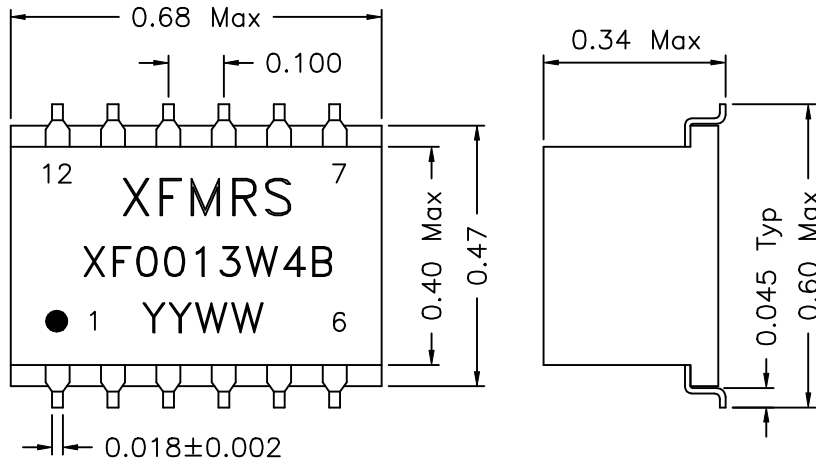


### 1. Dimensions:



### 3. Electrical Specifications: @25°C

Isolation Voltage: 1500 Vrms (PRI/SEC)

Turns Ratio: (P12-10):(P1-2-3)=1:1.15CT±2%

(P4-5-6):(P9-8-7)=1CT:2CT±2%

PRI OCL: 1.60mH Minimum @100KHz 50mV

Cw/w: P12-1 60pF Max @100KHz 50mV

Cw/w: P9-4 50pF Max @100KHz 50mV

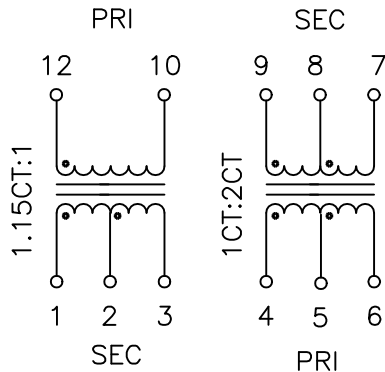
LL: 0.80uH Max @100KHz 50mV

PRI DC Resistance 1.0 Ohms Maximum

SEC DC Resistance P1-2-3 1.0 Ohms Maximum

SEC DC Resistance P9-8-7 2.0 Ohms Maximum

### 2. Schematic:



www.DataSheet4U.com

Doc Rev.: A/1

<b>XFMR5 Inc</b> UNLESS OTHERWISE SPECIFIED TOLERANCES: .xxx ±0.010 Dimensions in Inch SCALE 2.5:1 SHT 1 OF 1	Title: TRANSFORMER	
	P/N: XF0013W4B	REV. A
	DWN. 李清儿	Jan-21-99
	CHK. 孙松	Jan-21-99
APP. Joe Hu	www.DataSheet4U.com Jan-21-99	