

# Connectors PC 612

## Technical Data

### Blade-contact and female connectors

#### Electrical and mechanical ratings (short form)

Designs in accordance with DIN 41 612	B B/2	C C/2	M M/2	Q Q/2	R R/2	D	F, G
Performance levels in acc. with DIN 41 612	2	2	2	2	2	2	2
Temperature range	- 55 °C ... + 125 °C						
Current rating at 70 °C	2,3 A					4 A	
Dielectric strength	1000 V					1500 V	
Creepage distance contact/contact	1,2 mm					3 mm	
Clearance contact/contact	1,2 mm					3 mm	1,6 mm
Contact resistance	≤ 20 mΩ					≤ 15 mΩ	
Insulation resistance	≥ 10 <sup>6</sup> MΩ						
Terminals*) for soldering into PCBs wire-wrap connection press-in connection	x x x	x x x	x x x	x x x	x x x	x x x	x x x
Insulating material	Glass-fiber reinforced thermoplastic material						
Contact surface	Au on Pd on Ni					Au on Ni	Au on Pd on Ni
Insertion/ removal cycles industrial climate test	Performance level 2 ≥ 400 insertion/removal cycles, industrial climate to CECC 75101-801 (10 days SO <sub>2</sub> )						
High-current, coaxial and fiber-optic contacts	—		yes		—		
Approvals	UL listed: File E 92320, Project 84 ME 9787 CECC 75101-801						

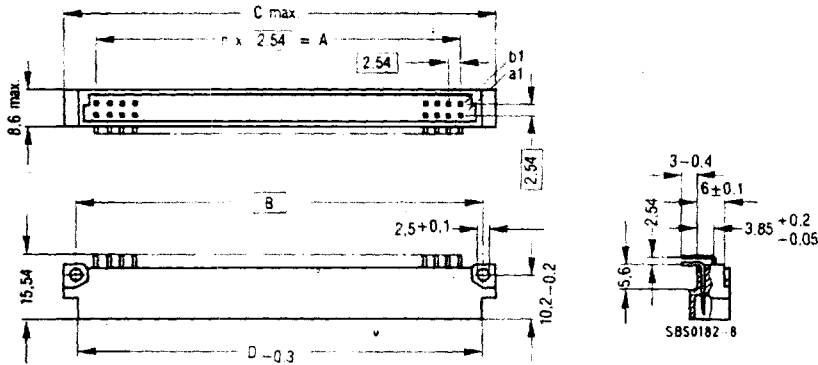
Connectors

\*) Designs not listed in the SCS book are available upon request

# Connectors PC 612

Blade-contact connectors in acc. with DIN 41 612, design B (double-row dielectric)  
 With angled solder pins (suitable for holes with  $\varnothing 1 \text{ mm} \pm 0,1$ )

2,54 mm center spacing



Design	n	Dimensions in mm							
		Blade-contact connector				Female connector			
		A	B	C	D	A	B	C	D
B	31	78,74	88,9	94	89	78,74	90	95	85
B/2	15	38,1	48,26	53,36	48,36	38,1	50	55	44,36

Number of contacts	Equipped contact rows	Performance level	Ordering code	DU Pcs	Price each			
					DU+	100+	500+	2000+

Design B  
 with angled solder pins  $L = 3 - 0,4 \text{ mm}$

64	a b	2	V42254-B1200-B640	40					
----	-----	---	-------------------	----	--	--	--	--	--

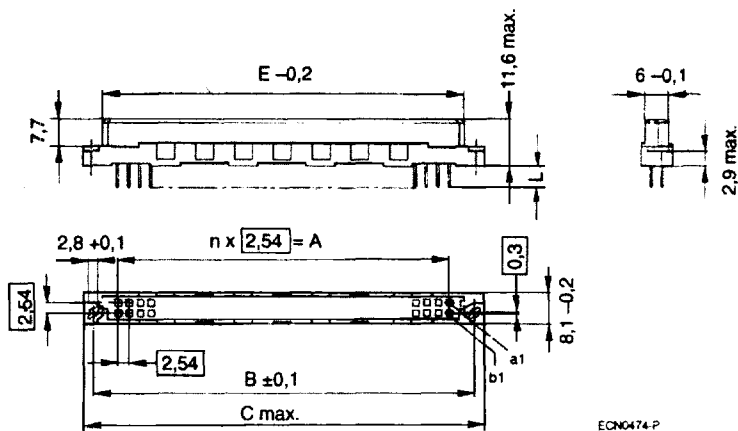
Design B/2  
 with angled solder pins  $L = 3 - 0,4 \text{ mm}$

32	a b	2	V42254-B1200-B320	60					
----	-----	---	-------------------	----	--	--	--	--	--

## Connectors PC 612

Female connectors in acc. with DIN 41 612, design B (double-row dielectric)  
With straight solder pins (suitable for holes with  $\varnothing 1 \text{ mm} \pm 0,1$ )

2,54 mm center spacing



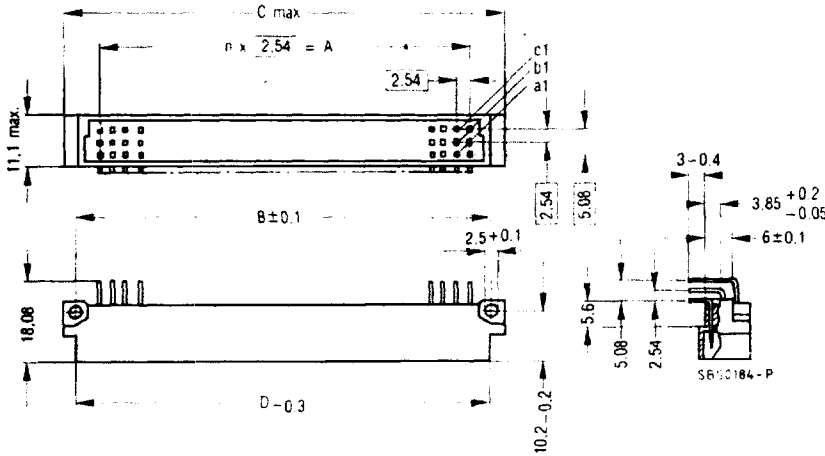
For dimensions see page 124

Number of contacts	Equipped contact rows	Performance level	Ordering code	DU Pcs	Price each			
					DU+	100+	500+	2000+
<b>Design B</b>								
with solder pins $L = 4,5 \pm 0,3 \text{ mm}$								
64	a b	2	V42254-B2202-B640	40				
<b>Design B/2</b>								
with solder pins $L = 4,5 \pm 0,3 \text{ mm}$								
32	a b	2	V42254-B2202-B320	60				

# Connectors PC 612

Blade-contact connectors in acc. with DIN 41 612, design C (triple-row dielectric)  
 With angled solder pins (suitable for holes with  $\varnothing 1 \text{ mm} \pm 0,1$ )

2,54 mm center spacing



For dimensions see page 124

Number of contacts	Equipped contact rows	Performance level	Ordering code	DU Pcs	Price each			
					DU+	100+	500+	2000+

Design C  
 with angled solder pins L = 3 - 0,4 mm

32	a c <sup>1)</sup>	2	V42254-B1200-C968	40					NEW
64	a c	2	V42254-B1200-C963	100					
96	a b c	2	V42254-B1200-C960	100					

Design C  
 with angled solder pins L = 3 - 0,4 mm

32	a c	2	V42254-B1200-C483	60					NEW
48	a b c	2	V42254-B1200-C480	60					

1) Component spacing 5,08 mm (a2, a4 ...)

# Connectors PC 612

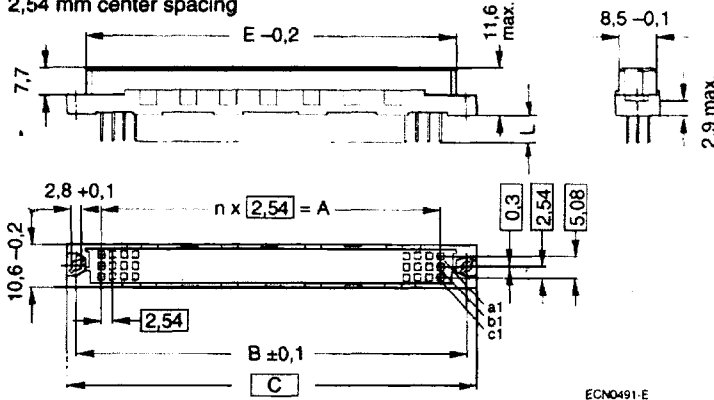
Female connectors in acc. with DIN 41 612, design C (triple-row dielectric)

With wire-wrap pins (0,6 × 0,6 mm)

or with straight solder pins (suitable for holes with  $\varnothing 1 \text{ mm} \pm 0,1$ )

or with press-in terminals (suitable for holes with  $\varnothing 1 \text{ mm} + 0,9/- 0,6$ )

2,54 mm center spacing



For dimensions  
see page 124

Number of contacts	Equipped contact rows	Performance level	Ordering code	DU Pcs	Price each *			
					DU+	100+	500+	2000+

### Design C

with solder pins  $L = 2,9 \pm 0,3 \text{ mm}$

64	a c	2	V42254-B2201-C963	100					
96	a b c	2	V42254-B2201-C960	100					

with solder pins  $L = 4,5 \pm 0,3 \text{ mm}$

32	a c <sup>1)</sup>	2	V42254-B2202-C968	100					<b>NEW</b>
64	a c	2	V42254-B2202-C963	100					
96	a b c	2	V42254-B2202-C960	100					

with wire-wrap pins  $L = 13 + 0,5 \text{ mm}$

64	a c	2	V42254-B2240-C963	20					
96	a b c	2	V42254-B2240-C960	20					

with press-in terminals  $L = 3,7 \pm 0,3 \text{ mm}$

64	a c	2	V42254-P2263-C963	100					
96	a b c	2	V42254-P2263-C960	100					

### Design C/2

with solder pins  $L = 2,9 \pm 0,3 \text{ mm}$

48	a b c	2	V42254-B2201-C480	100					<b>NEW</b>
----	-------	---	-------------------	-----	--	--	--	--	------------

with solder pins  $L = 4,5 \pm 0,3 \text{ mm}$

32	a c	2	V42254-B2202-C483	100					<b>NEW</b>
48	a b c	2	V42254-B2202-C480	100					

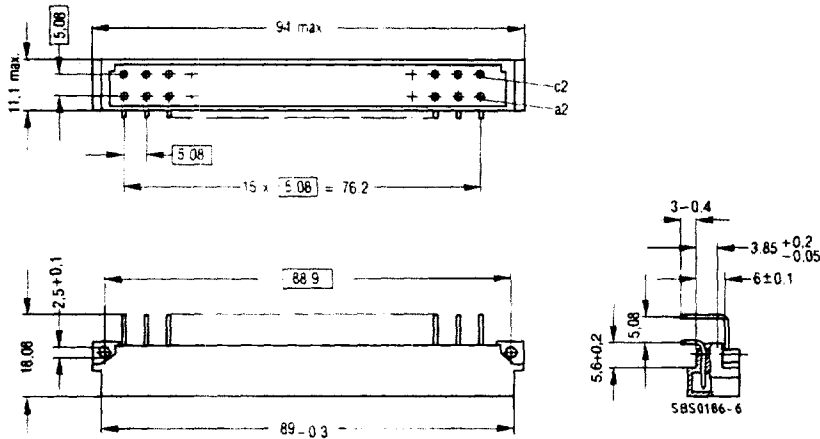
1) Component spacing 5,08 mm (a2, a4 ...)

# Connectors PC 612

Blade-contact connectors in acc. with DIN 41 612, design D (triple-row dielectric)  
 With angled or with straight solder pins (suitable for holes with  $\varnothing 1 \text{ mm} \pm 0,1$ )

For high voltages and high currents, e.g. for power supply units

5,08 mm center spacing



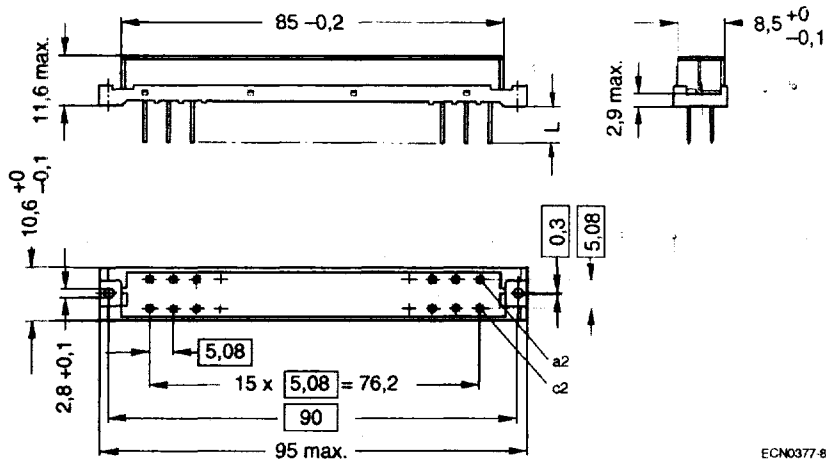
Number of contacts	Equipped contact rows	Performance level	Ordering code	DU Pcs	Price each				
					DU+	100+	500+	2000+	
<b>With angled solder pins L = 3 - 0,4 mm</b>									
32	a c	2	V42254-B1500-D325	40					
<b>With straight solder pins L = 4,5 ± 0,3 mm</b>									
32	a c	2	V42254-B1502-D325	100					<b>NEW</b>

## Connectors PC 612

Female connectors in acc. with DIN 41 612, design D (triple-row dielectric)

With straight solder pins (suitable for holes with  $\varnothing 1 \text{ mm} \pm 0,1$ )  
or with soldering lugs

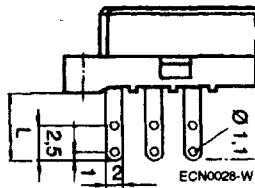
For high voltages and high currents, e.g. for power supply units  
5,08 mm center spacing



ECN0377-8

Connectors

With soldering lugs



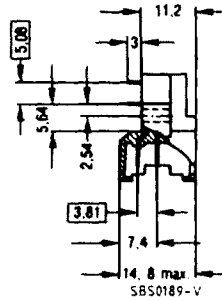
Number of contacts	Equipped contact rows	Performance level	Ordering code	DU Pcs	Price each				
					DU+	100+	500+	2000+	
<b>With solder pins L = 2,9 ± 0,3 mm</b>									
32	a c	2	V42254-B2501-D325	40					
<b>With solder pins L = 4,5 ± 0,3 mm</b>									
32	a c	2	V42254-B2502-D325	40					
<b>With soldering lugs L = 8 ± 0,3 mm</b>									
32	a c	2	V42254-B2535-D325	20				<b>NEW</b>	

# Connectors PC 612

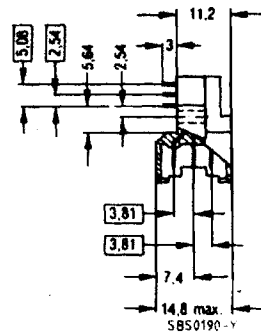
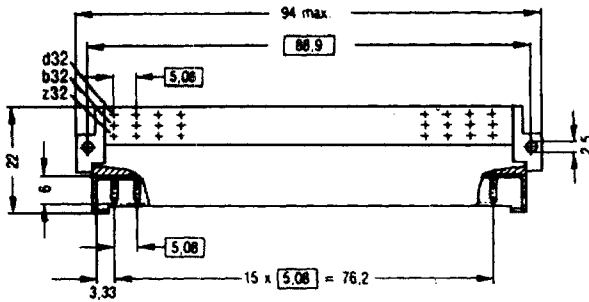
**Blade-contact connectors in acc. with DIN 41 612, design F**  
**With angled solder pins** (suitable for holes with  $\varnothing 1 \text{ mm} \pm 0,1$ )

2,54 mm center spacing  
 (5,08 mm in longitudinal direction)

32 contacts



48 contacts



Please note: The z-series is soldering-flux tight

Number of contacts	Equipped contact rows	Performance level	Ordering code	DU Pcs	Price each			
					DU+	100+	500+	2000+
With solder pins L = 3 - 0.4 mm								
32	z b	2	V23533-B1200-F407	40				
48	z b d	2	V23533-B1200-F405	40				



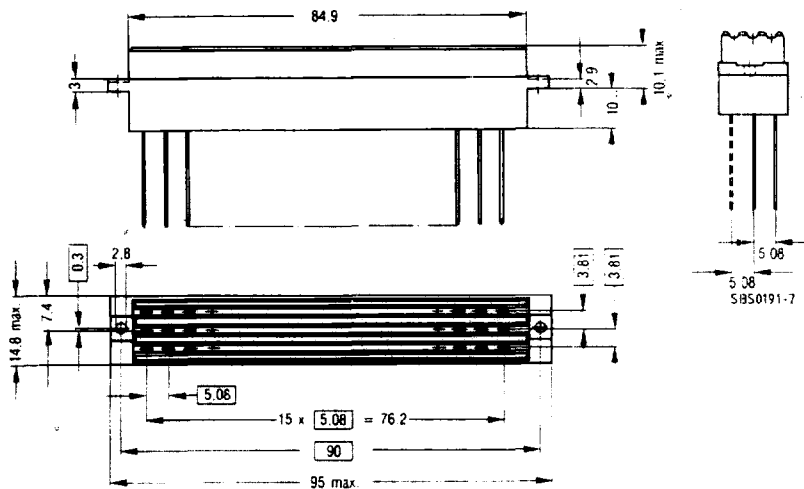
## Connectors PC 612

Female connectors in acc. with DIN 41 612, design F

With straight solder pins  $\varnothing 0,8$  mm (suitable for holes with  $\varnothing 1$  mm  $\pm 0,1$ )

or with wire-wrap pins 1 mm  $\times$  1 mm (suitable for holes with  $\varnothing 1,6$  mm  $\pm 0,1$ )

5,08 center spacing



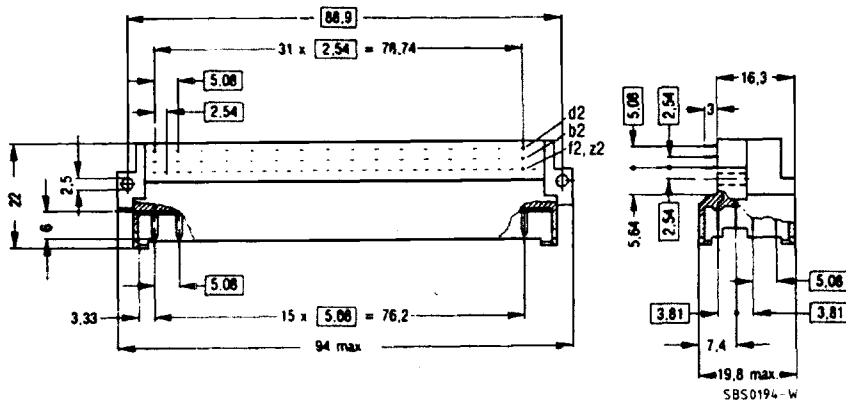
Number of contacts	Equipped contact rows	Performance level	Ordering code	DU Pcs	Price each			
					DU+	100+	500+	2000+
With solder pins L = 3,2 $\pm$ 0,3 mm								
48	z b d	2	V23533-B2207-F405	40				<b>NEW</b>
With wire-wrap pins L = 22 $\pm$ 0,3 mm								
32	z b	2	V23533-B2251-F407	20				
48	z b d	2	V23533-B2251-F405	20				

Connectors

# Connectors PC 612

Blade-contact connectors in acc. with DIN 41 612, design G  
 With angled solder pins (suitable for holes with  $\varnothing 1 \text{ mm} \pm 0,1$ )

2,54 mm center spacing  
 (pin assignment: row f in row z)

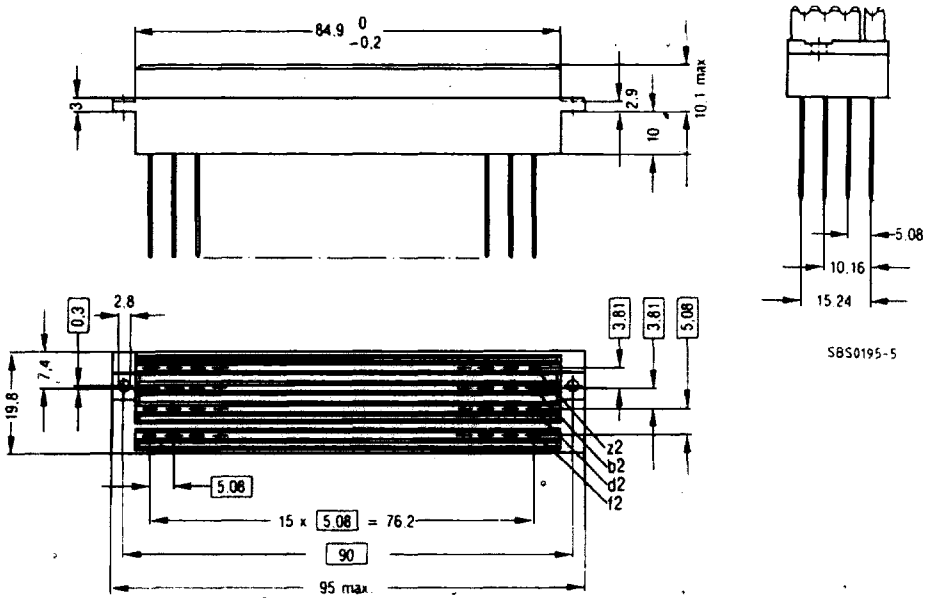


Please note: Row z is soldering-flux tight

Number of contacts	Equipped contact rows	Performance level	Ordering code	DU Pcs	Price each				
					DU+	100+	500+	2000+	
With solder pins L = 3 - 0,4 mm									
64	z b d f	2	V23533-B1200-G605	30					

# Connectors PC 612

**Female connectors in acc. with DIN 41 612, design G**  
**With straight solder pins  $\varnothing 0,8$  mm (suitable for holes with  $\varnothing 1 \text{ mm} \pm 0,1$ )**  
**or with wire-wrap pins  $1 \text{ mm} \times 1 \text{ mm}$  (suitable for holes with  $\varnothing 1,6 \text{ mm} \pm 0,1$ )**  
**5,08 mm center spacing**



Connectors

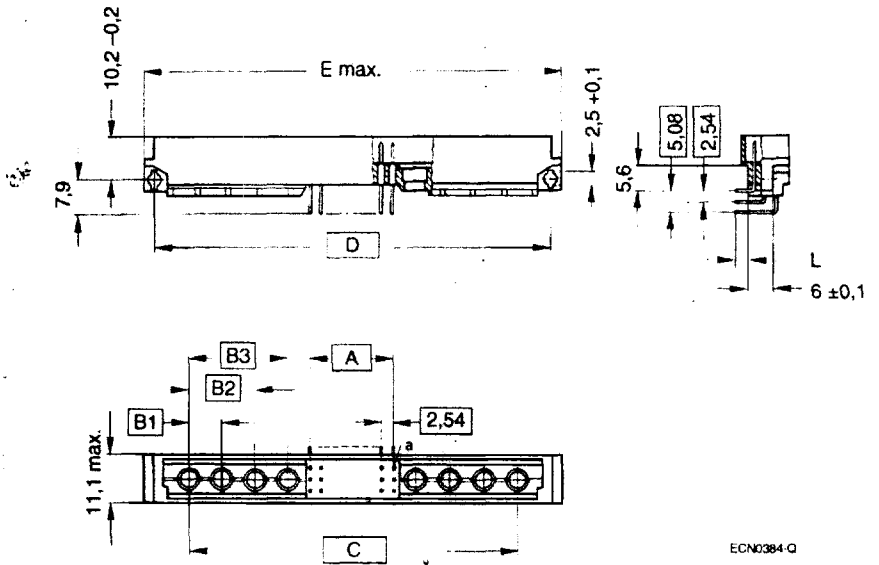
Number of contacts	Equipped contact rows	Performance level	Ordering code	DU Pcs	Price each			
					DU+	100+	500+	2000+
<b>With solder pins L = 3,2 ± 0,3 mm</b>								
64	z b d f	2	V23533-B2207-G605	30				<b>NEW</b>
<b>With wire-wrap pins L = 22 ± 0,3 mm</b>								
64	z b d f	2	V23533-B2251-G605	15				

# Connectors PC 612

Blade-contact connectors in acc. with DIN 41 612, design M (triple-row dielectric)  
 With angled solder pins (suitable for holes with  $\varnothing 1 \text{ mm} \pm 0,1$ )

For special contacts SK refer to page 137

2,54 mm center spacing



For dimensions see next page

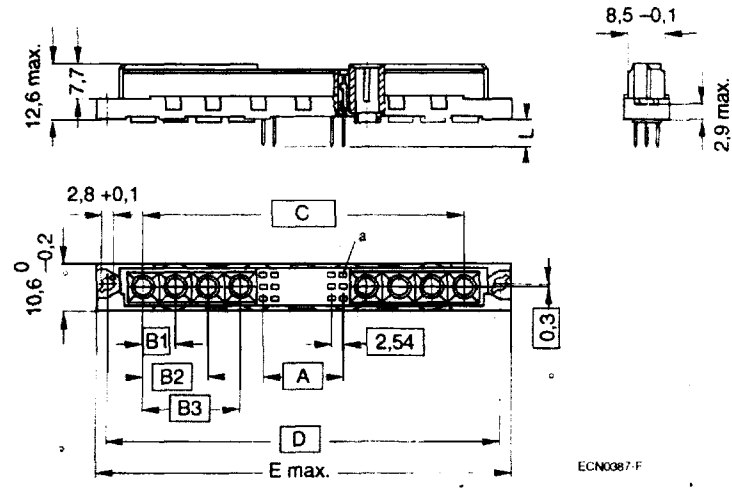
Number of contacts	Equipped contact rows	Performance level	Ordering code	DU Pcs	Price each			
					DU+	100+	500+	2000+
<b>Design M</b>								
with angled solder pins $L = 3 - 0,4 \text{ mm}$								
78+2SK	a b c	2	V42254-B1200-M780	40				
60+4SK	a b c	2	V42254-B1200-M600	40				<b>NEW</b>
<b>Design M/2</b>								
with angled solder pins $L = 3 - 0,4 \text{ mm}$								
30+2SK	a b c	2	V42254-B1200-M300	60				

# Connectors PC 612

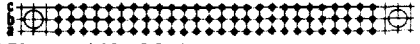


Female connectors in acc. with DIN 41 612, design M (triple-row dielectric)  
 With straight solder pins (suitable for holes with  $\varnothing 1 \text{ mm} \pm 0,1$ )

For special contacts SK refer to page 137

2,54 mm center spacing



Connectors

Version	Number of contacts	Dimensions in mm					Blade-contact connector		Female connector	
		A	B <sub>1</sub>	B <sub>2</sub>	B <sub>3</sub>	C	D	E	D	E
Design M										
	78+ max. 2 SK	$25 \times 2,54$ = 63,5	-	-	-	73,66	88,9	94	90	95
Design M/2										
	60+ max. 4 SK	$19 \times 2,54$ = 48,26	$3 \times 2,54$ = 7,62	-	-	73,66	88,9	94	90	95
Design M/2										
	30+ max. 2 SK	$9 \times 2,54$ = 22,86	-	-	-	33,02	48,26	53,36	55	50

# Connectors PC 612

Number of contacts	Equipped contact rows	Performance level	Ordering code	DU	Price each			
				Pcs	DU+	500+	2000+	

## Design M

with solder pins L = 4,5 ± 0,3 mm

78+2SK	a b c	2	V42254-B2202-M780	100						
60+4SK	a b c	2	V42254-B2202-M600	100						<b>NEW</b>

## Design M/2

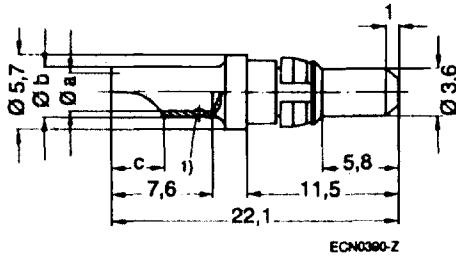
with solder pins L = 4,5 ± 0,3 mm

30+2SK	a b c	2	V42254-B2202-M300	100						
--------	-------	---	-------------------	-----	--	--	--	--	--	--

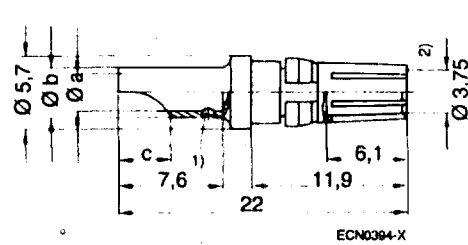
# Connectors PC 612 Accessories

## Special contacts (SK) for blade-contact and female connectors, design M

**High-current connector  
for blade-contact connectors**  
Plug for cable connection



**High-current connector  
for female connectors**  
Socket for cable connection



Rated current	Dimensions in mm		
	a Ø	b Ø	c
40 A	4,7	5,7	5
10 A	1,6	2,7	3

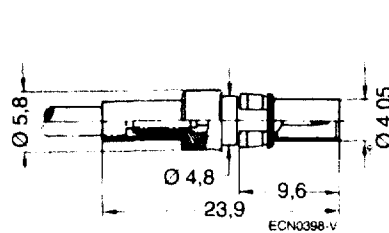
Item	Rated current	Ordering code	DU				
			Pcs	DU+	100+	500+	2000+
Plug <sup>3)</sup>	40 A	C42334-A347-A91	10				
	10 A	C42334-A347-A93	10				
Socket <sup>3)</sup>	40 A	C42334-A347-A94	10				
	10 A	C42334-A347-A96	10				

Connectors

## Coaxial connectors of series 1,0/2,3 (50 Ω and 75 Ω), "snap-in" in acc. with DIN 41 626, part 2, for blade-contact connectors

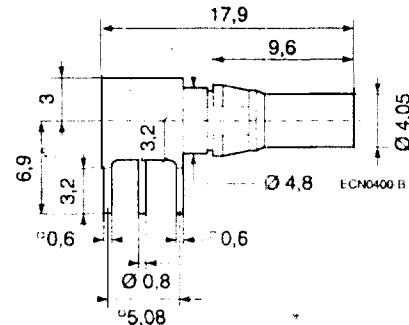
### Outline drawing 1

Bulkhead jack with cable connection (inner conductor can be soldered on separately)



### Outline drawing 2

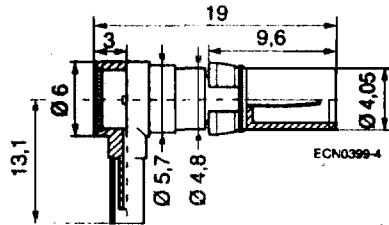
Jack for printed circuits



- 1) Only at 10 A rated current
- 2) Initial dimension
- 3) Also suitable for SIEDECON

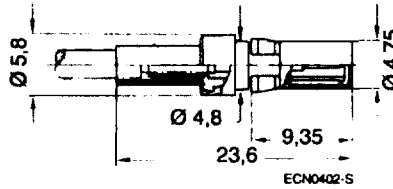
# Connectors PC 612 Accessories

**Outline drawing 3**  
Angle jack  
for cable connection

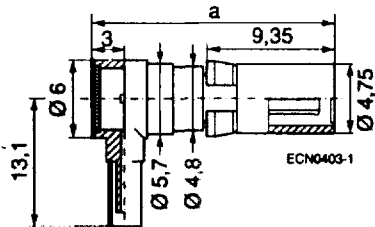


**Coaxial connectors of series 1,0/2,3**  
(50 Ω and 75 Ω), "snap-in" in acc. with  
DIN 41 626 for female connectors

**Outline drawing 4**  
Bulkhead plug with cable connection (inner  
conductor can be soldered separately)



**Outline drawing 5**  
Plug for cable connection 90°



For outline drawings 1 and 2  
see previous page

Dimension a = 18,7 mm

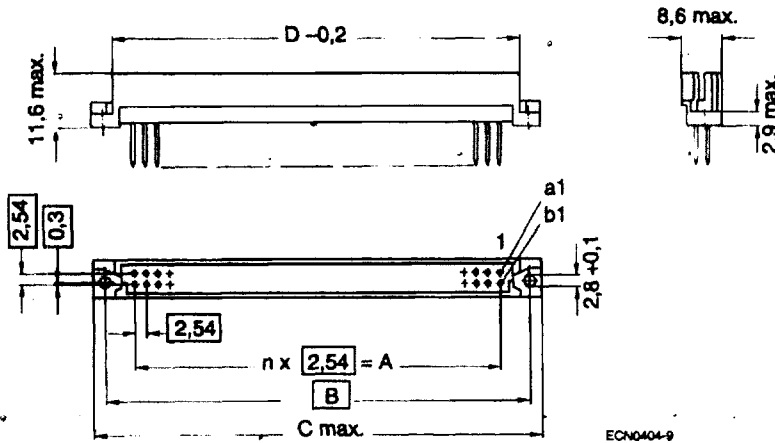
Outline drawing	Cable Ø (mm)	Type of cable	Ordering code	DU Pcs	Price each			
					DU+	100+	500+	2000+
1	2,6	RG 316/U (50 Ω)	V23601-B602-E71 <sup>1)</sup>	25				
2	2,67	RG 179 (75 Ω)	V23615-B602-E57 <sup>1)</sup>	25				
3	2,6	RG 316/U (50 Ω)	V23601-A1227-E1	20				
	2,67	RG 179 (75 Ω)	V23601-A802-E71 <sup>1)</sup>	25				
4	2,6	RG 316/U (50 Ω)	V23601-B302-E71 <sup>1)</sup>	25				
	2,67	RG 179 (75 Ω)	V23615-B302-E57 <sup>1)</sup>	25				
5	2,6	RG 316/U (50 Ω)	V23601-A502-E71 <sup>1)</sup>	25				
	2,67	RG 179 (75 Ω)						

1) Also suitable for SIEDECON



**Blade-contact connectors in acc. with DIN 41 612, design Q** (triple-row dielectric)  
 Inverted version of design B  
**With straight solder pins** (suitable for holes with  $\varnothing 1 \text{ mm} \pm 0.1$ )

2,54 mm center spacing



Connectors

Design	n	Dimensions in mm			
		A	B	C	D
Q	31	78,74	90	95	88
Q/2	15	38,1	50	55	47,6

Number of contacts	Equipped contact rows	Performance level	Ordering code	DU	Price each			
					Pcs	DU+	100+	500+

**Design Q**  
 with solder pins  $L = 4,5 \pm 0,3 \text{ mm}$

64	a b	2	V42254-B1202-Q640	40				
----	-----	---	-------------------	----	--	--	--	--

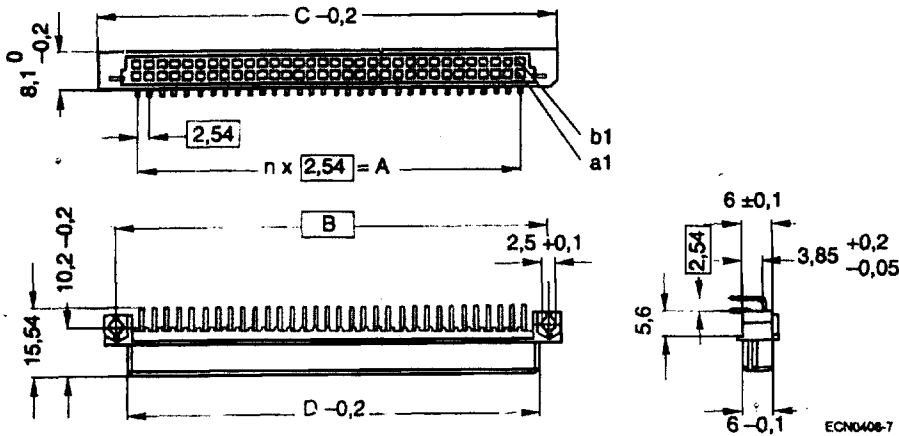
**Design Q/2**  
 with solder pins  $L = 4,5 \pm 0,3 \text{ mm}$

32	a b	2	V42254-B1202-Q320	60				
----	-----	---	-------------------	----	--	--	--	--

Female connectors in acc. with DIN 41 612, design Q (triple-row dielectric)  
 Inverted versions of design B

With angled solder pins (suitable for holes with  $\varnothing 1 \text{ mm} \pm 0,1$ )

2,54 mm center spacing



Design	n	Dimensions in mm			
		A	B	C	D
Q	31	78,74	88,9	94	85
Q/2	15	38,1	48,26	53,36	44,4

Number of contacts	Equipped contact rows	Performance level	Ordering code	DU Pcs	Price each			
					DU+	100+	500+	2000+

Design Q  
 with angled solder pins  $L = 3 - 0,4 \text{ mm}$

64	a b	2	V42254-B2200-Q640	40				
----	-----	---	-------------------	----	--	--	--	--

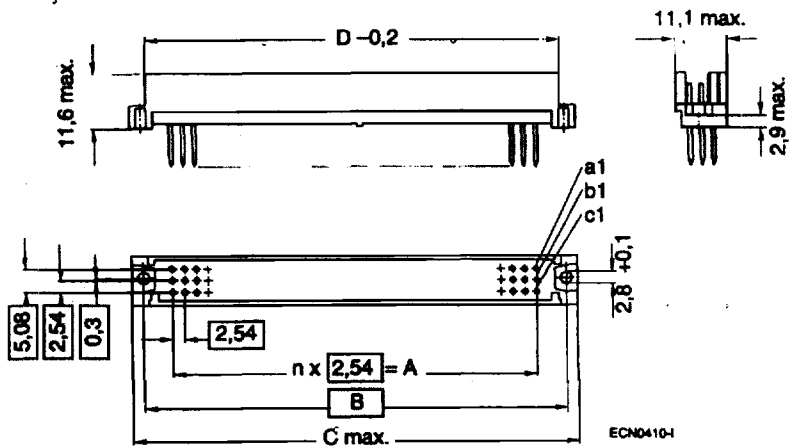
Design Q/2  
 with angled solder pins  $L = 3 - 0,4 \text{ mm}$

32	a b	2	V42254-B2200-Q320	60				
----	-----	---	-------------------	----	--	--	--	--

# Connectors PC 612

Blade-contact connectors in acc. with DIN 41 612, design R (triple-row dielectric)  
 Inverted version of design C  
 With straight solder pins (suitable for holes with  $\varnothing 1 \text{ mm} \pm 0,1$ )

2,54 mm center spacing



Design	n	Dimensions in mm			
		A	B	C	D
R	31	78,74	90	95	88
R/2	15	38,1	50	55	47,6

Number of contacts	Equipped contact rows	Performance level	Ordering code	DÜ Pcs	Price each			
					DU+	100+	500+	2000+

Design R  
 with solder pins  $L = 2,9 \pm 0,3 \text{ mm}$

64	a c	2	V42254-B1201-R963	100					NEW
96	a b c	2	V42254-B1201-R960	100					NEW

with solder pins  $L = 4,5 \pm 0,3 \text{ mm}$

64	a c	2	V42254-B1202-R963	100					
96	a b c	2	V42254-B1202-R960	100					

Design R/2  
 with solder pins  $L = 2,9 \pm 0,3 \text{ mm}$

48	a b c	2	V42254-B1201-R480	60					NEW
----	-------	---	-------------------	----	--	--	--	--	-----

with solder pins  $L = 4,5 \pm 0,3 \text{ mm}$

32	a c	2	V42254-B1202-R483	60					NEW
48	a b c	2	V42254-B1202-R480	60					NEW

Connectors

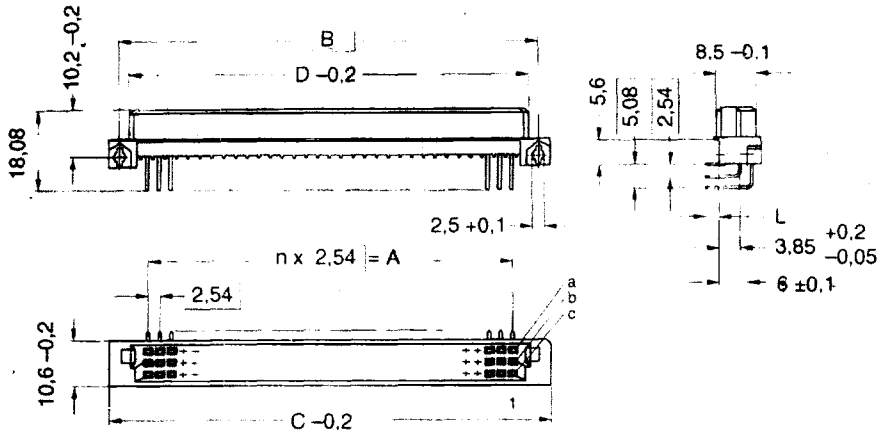
# Connectors PC 612

Female connectors in acc. with DIN 41 612, design R (triple-row dielectric)

Inverted versions of design C

With angled solder pins (suitable for holes with  $\varnothing 1 \text{ mm} \pm 0,1$ )

2,54 mm center spacing



ECN0414-G

Design	n	Dimensions in mm			
		A	B	C	D
R	31	78,74	88,9	94	85
R/2	15	38,1	48,26	53,36	44,4

Number of contacts	Equipped contact rows	Performance level	Ordering code	DU Pcs	Price each			
					DU+	100+	500+	2000+

Design R  
with angled solder pins  $L = 3 - 0,4 \text{ mm}$

64	a c	2	V42254-B2200-R963	40					
96	a b c	2	V42254-B2200-R960	40					

Design R/2  
with angled solder pins  $L = 3 - 0,4 \text{ mm}$

32	a c	2	V42254-B2200-R483	60					
48	a b c	2	V42254-B2200-R480	60					<b>NEW NEW</b>

## Connectors PC 612 Accessories

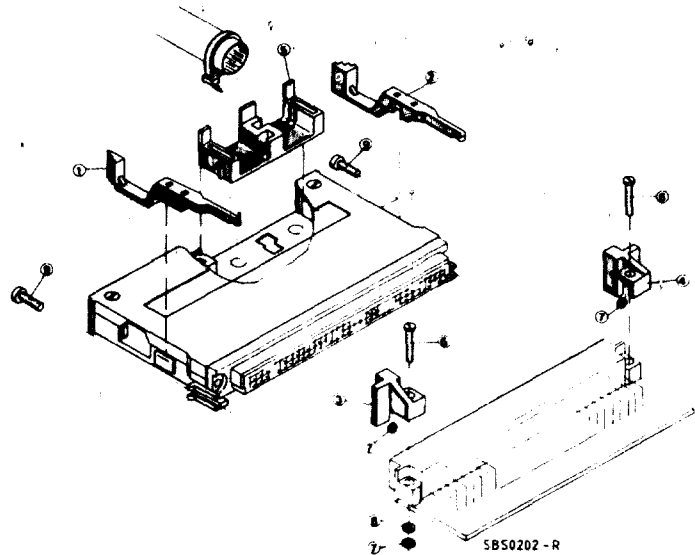
### Housings for blade-contact and female connectors

- For installation of female connectors in design C, D, M and blade-contact connectors in design R.
- Two cable inlets max.  $\varnothing$  11 mm.
- Pull-relief facility incorporating cable strip at each cable inlet.

### Material

- Polycarbonate, glass-fiber reinforced, pebble grey RAL 7032
- Ambient temperature range - 55 °C ... + 100 °C

- ⑥ 2 machine screws  
M 2,5 x 12 DIN 84
- ⑦ 4 hexagon nuts  
M 2,5 DIN 439
- ⑧ 2 washers  
2,7 DIN 433
- ⑨ 2 machine screws  
M 2,5 x 16 DIN 84



Connectors

### Housing (set of parts, not assembled)

To be used with	Ordering code	DU	Price each		
		Pcs	DU+	100+	500+
Female connectors, design C, D, M or blade-contact connectors, design R	C42334-Z61-C2	10			

### Accessories

Item	Ordering code	DU	Price each		
		Pcs	DU+	100+	500+
① Locking lever, left	C42334-Z61-C11	10			
② Locking lever, right	C42334-Z61-C12	10			
③ Latching element, left	C42334-Z61-C14	10			
④ Latching element, right	C42334-Z61-C15	10			
⑤ Circular section cable insert	C42334-Z61-C16	10			

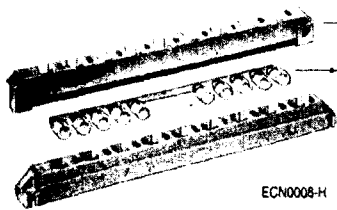
Required screws, washers und nuts commercially available

## Connectors PC 612 Accessories

### Loose polarization for all types

Material: thermoplastic material, glass-fiber reinforced

Max. 126 polarizing combinations are possible



ECN0008-H

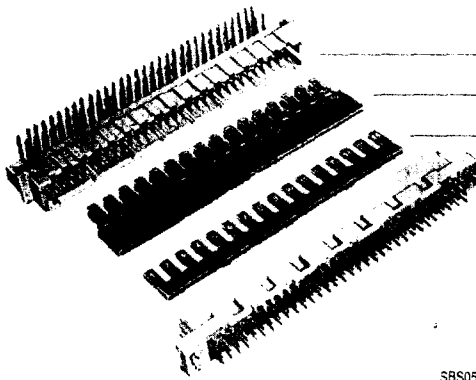
Polarizing strip C42334-A349-C2  
to be fixed on the blade-contact  
connector (PC board)

Polarizing stud C42334-A349-C3

Polarizing strip C42334-A349-C1 and -C11  
to be fixed adjacent to the female connector  
(in device or equipment)

Item	Ordering code	DU	Price each			
		Pcs	DU +	100+	500+	2000+
Polarizing strip (for screws M2)	C42334-A349-C1	100				
Polarizing strip	C42334-A349-C2	100				
Polarizing stud (10 integrally molded studs)	C42334-A349-C3	100				
Polarizing strip (for screws M2.5)	C42334-A349-C11	100				

### Integrated polarization for blade-contact and female connectors of design C



Polarizable blade-contact connector, design C

Integrally molded polarizing studs

Polarizing comb

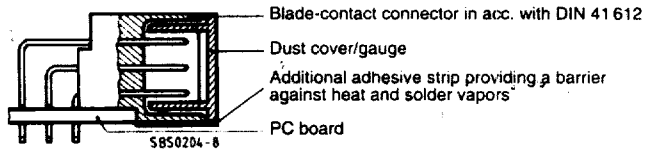
Polarizable female connector, design C

SBS0539-J

Item	Ordering code	DU	Price each			
		Pcs	DU+	100+	500+	2000+
Polarizing comb C:1	C42334-A416-C40	100				
Polarizing stud (16 integrally molded studs)	C42334-A415-B40	100				

## Connectors PC 612 Accessories

### Dust cover/gauge



For blade contact connectors in acc. with DIN 41 612 design C, D and M. The dust cover/gauge is fixed into position by being clamped in or at the protective collar of the blade-contact connectors and protects the blades without touching them.

Item	Ordering code	DU	Price each			
		Pcs	DU+	100+	500+	2000+
Dust cover/gauge for 3-row blade-contact connectors	C42334-A387-C890	100				