

a2460 general features

The a2460 is a monolithic high voltage MOSFET and IGBT driver with independent high and low side output channels for half bridge configuration. The bridge can work in systems with positive and negative high voltage bridge supplies.

- Single chip solution
- Gate drive supply range from 12 to 15V
- TTL and CMOS compatible input logic with pull-down
- High and low side output in phase with IN
- Floating channel designed for bootstrap operation
- Enable input turns off low and high side channel
- Undervoltage detection for low and high side channel
- Possibility for half bridge driving with positive and negative bridge supply voltage
- Different bridge supply voltage up to 600V
- Shot through prevention
- Ambient temperature range -25°C ... +85°C
- Package – SOP-14

example application schematic

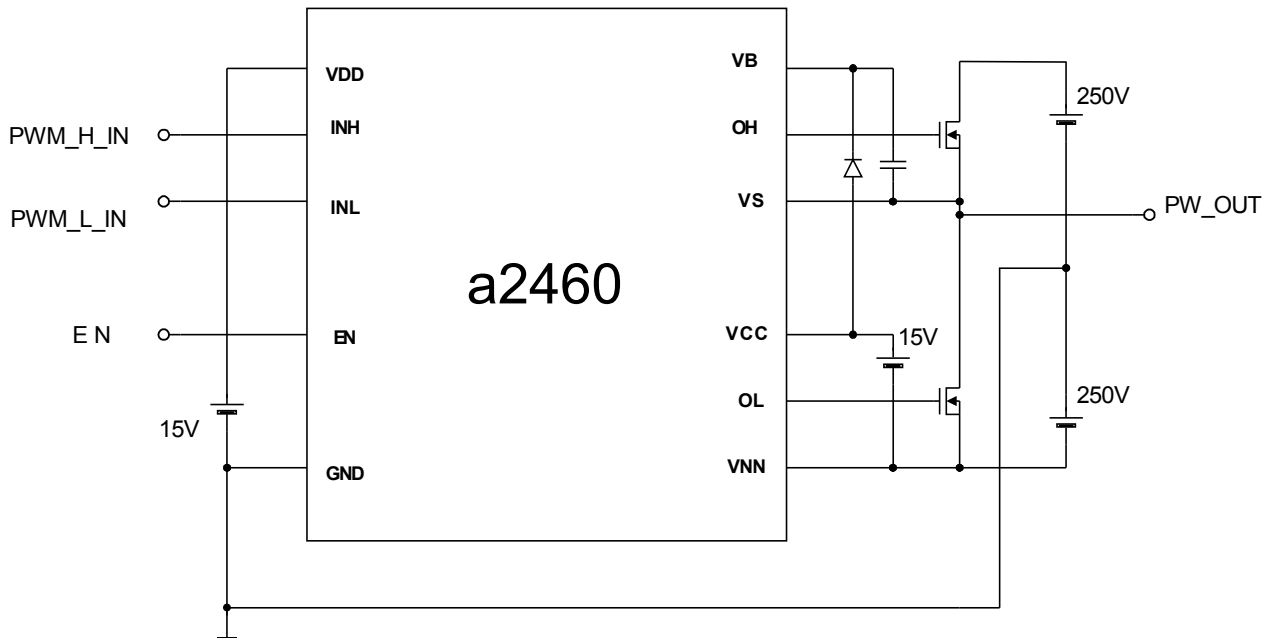


Fig.1: Application with positive and negative bridge voltage

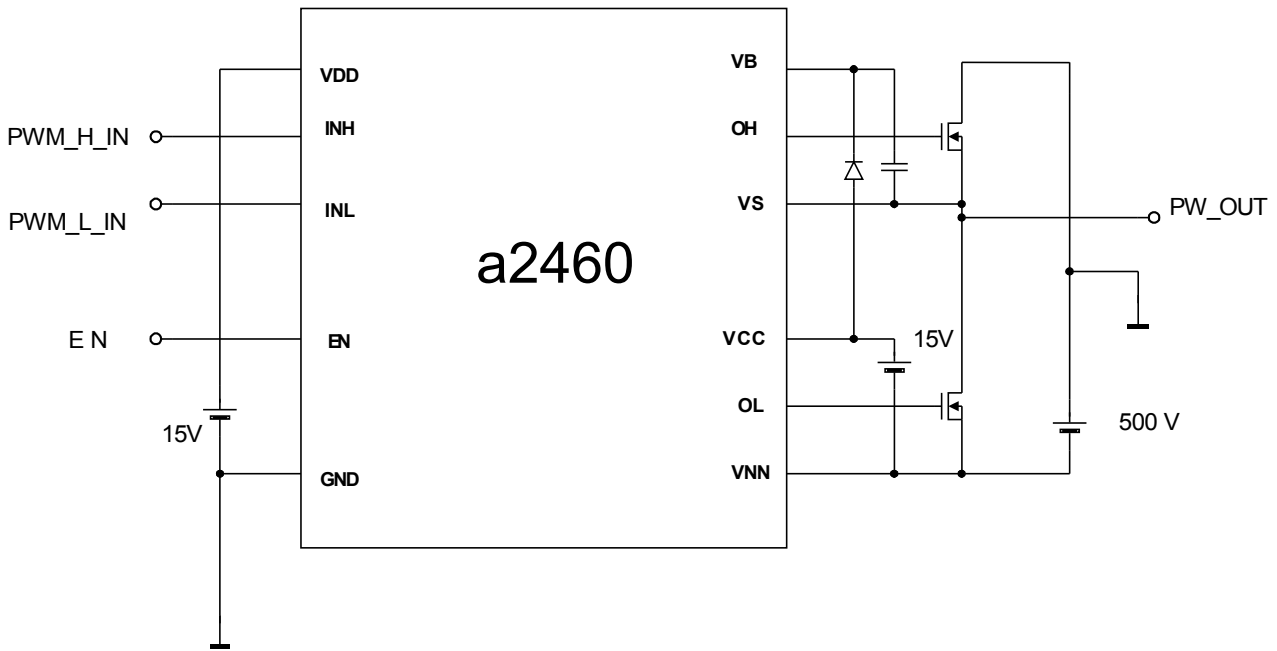


Fig.2: Application with negative bridge voltage

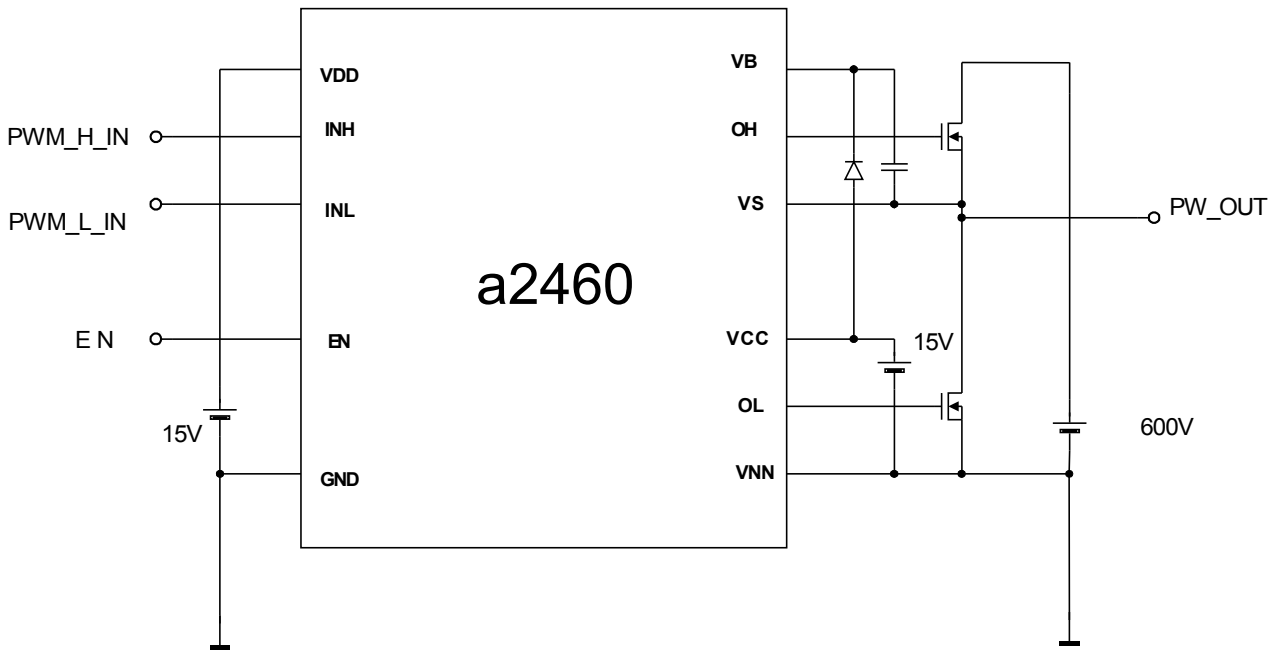


Fig.3: Application with positive bridge voltage