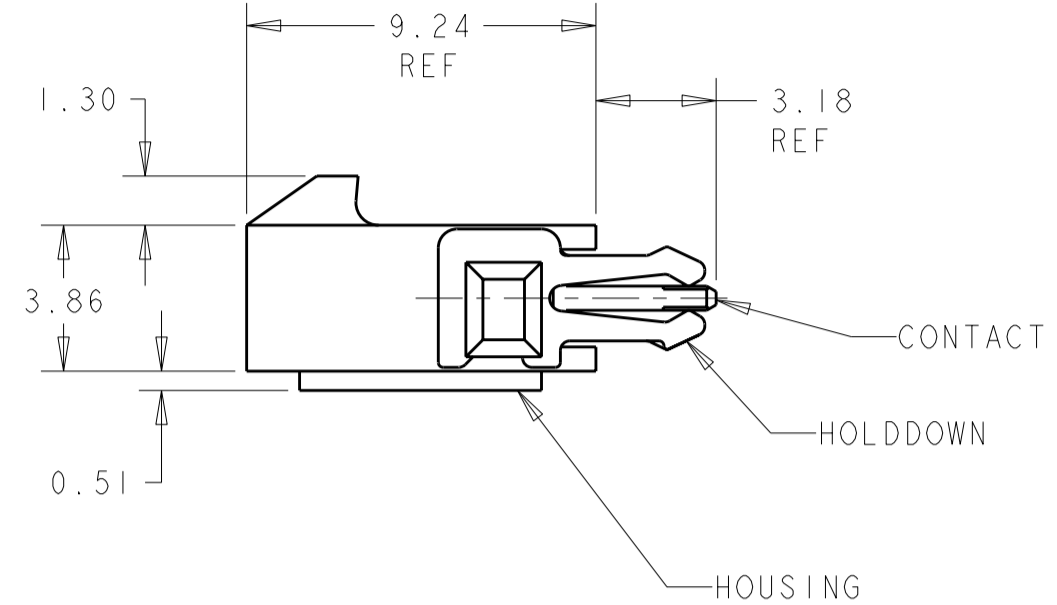
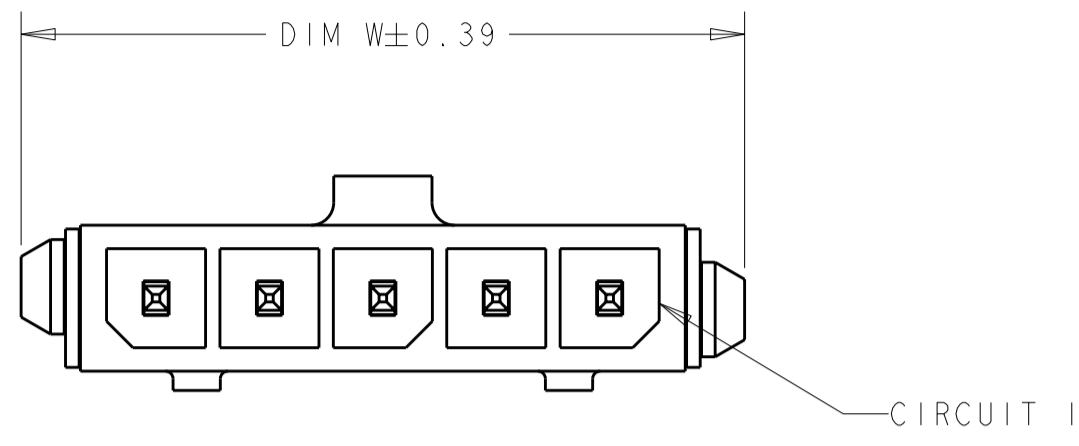
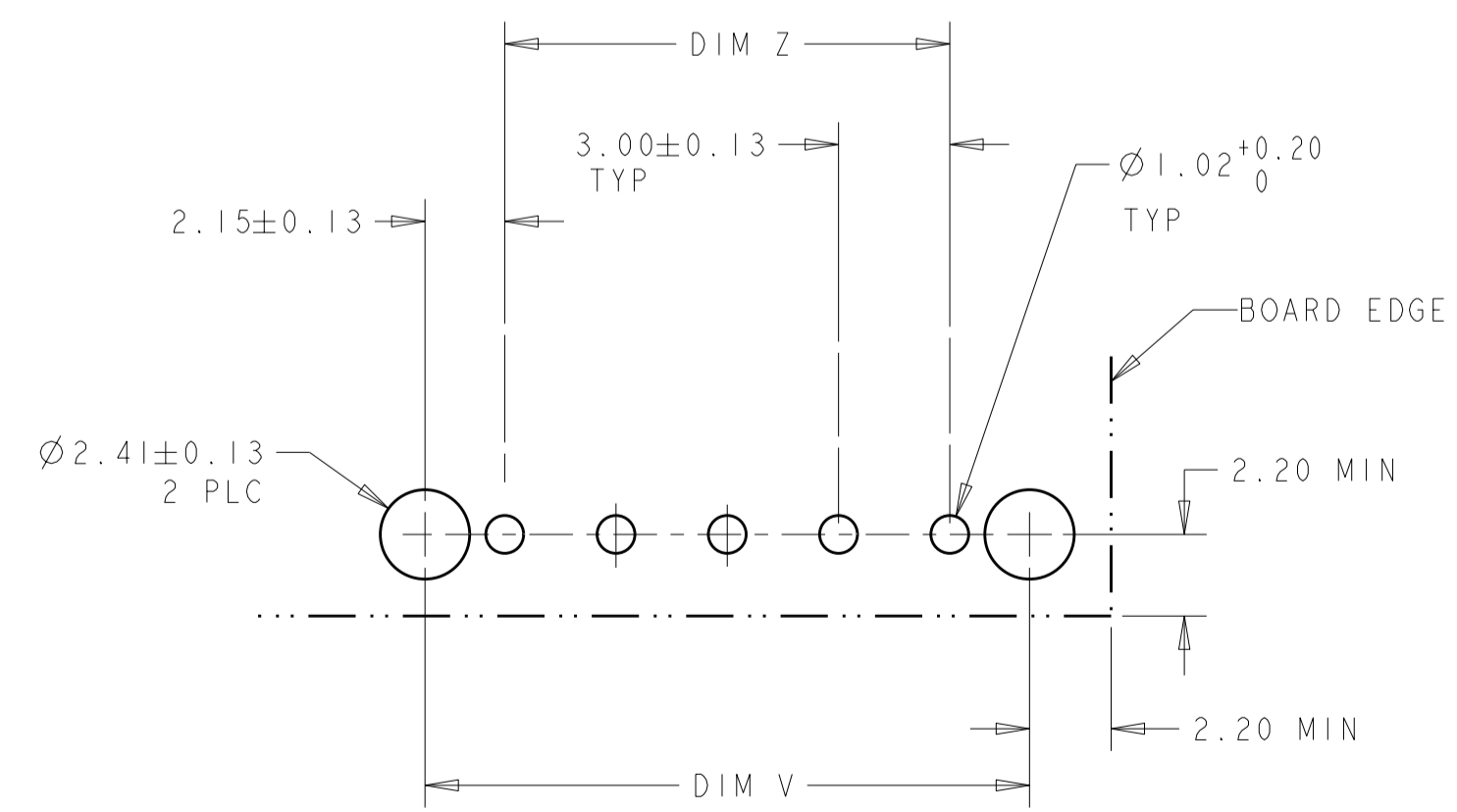
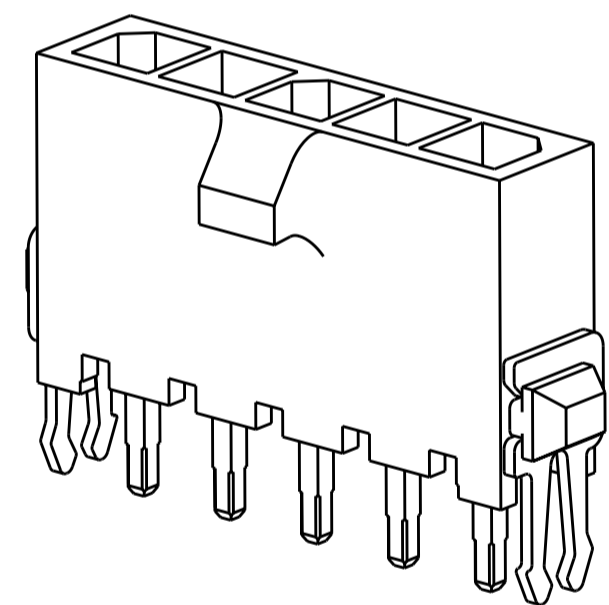
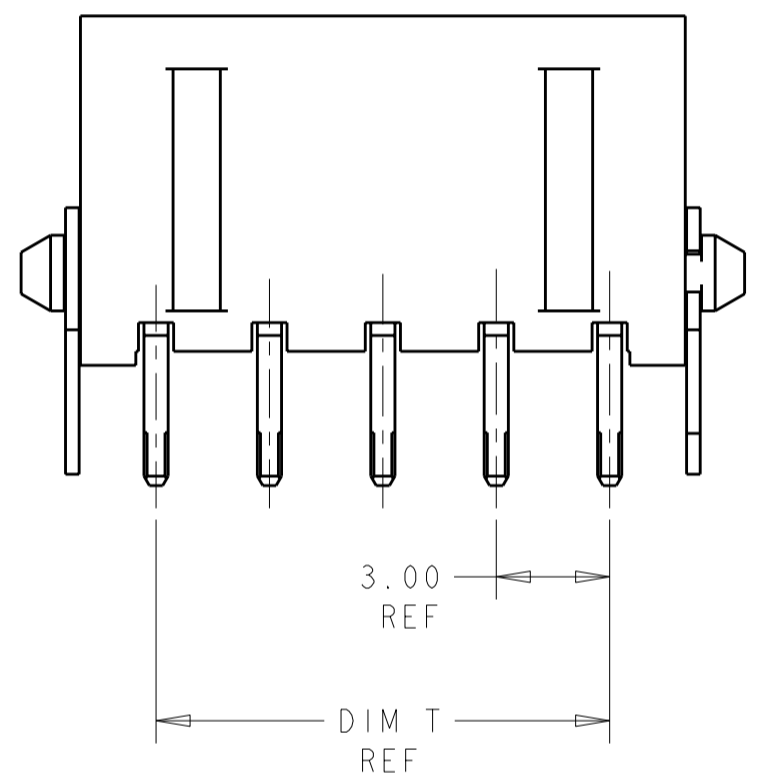


THIS DRAWING IS UNPUBLISHED. RELEASED FOR PUBLICATION 20  
 © COPYRIGHT 20 BY - ALL RIGHTS RESERVED.

LOC		DIST		REVISIONS			
P	LTR	DESCRIPTION	DATE	DWN	APVD		
	A2	REVISED PER ECR-12-007353	18MAY2012	KH	TM		



- 1 MATERIAL: CONTACTS - BRASS  
HOUSING - UL 94V-0 RATED HIGH TEMP NYLON, COLOR BLACK.  
HOLDDOWNS: - PHOSPHOR BRONZE.
- 2 PLATING: CONTACTS - 2.54µm MINIMUM TIN-LEAD OVER 1.27µm MINIMUM NICKEL.  
HOLDDOWNS: 2.54µm MINIMUM TIN-LEAD OVER 1.27µm MINIMUM NICKEL.
- 4 RECOMMENDED PC BOARD THICKNESS OF 1.57.
- 5 PLATING: CONTACTS - 2.54µm MINIMUM MATTE TIN OVER 1.27µm MINIMUM NICKEL.  
HOLDDOWNS: 2.54µm MINIMUM MATTE TIN OVER 1.27µm MINIMUM NICKEL.



PCB LAYOUT COMPONENT SIDE

5	33.00	37.43	33.00	40.14	12	3-1445051-2
5	30.00	34.43	30.00	37.14	11	3-1445051-1
5	27.00	31.43	27.00	34.14	10	3-1445051-0
5	24.00	28.43	24.00	31.14	9	2-1445051-9
5	21.00	25.43	21.00	28.14	8	2-1445051-8
5	18.00	22.43	18.00	25.14	7	2-1445051-7
5	15.00	19.43	15.00	22.14	6	2-1445051-6
5	12.00	16.43	12.00	19.14	5	2-1445051-5
5	9.00	13.43	9.00	16.14	4	2-1445051-4
5	6.00	10.43	6.00	13.14	3	2-1445051-3
5	3.00	7.43	3.00	10.14	2	2-1445051-2
2	33.00	37.43	33.00	40.14	12	1-1445051-2
2	30.00	34.43	30.00	37.14	11	1-1445051-1
2	27.00	31.43	27.00	34.14	10	1-1445051-0
2	24.00	28.43	24.00	31.14	9	1445051-9
2	21.00	25.43	21.00	28.14	8	1445051-8
2	18.00	22.43	18.00	25.14	7	1445051-7
2	15.00	19.43	15.00	22.14	6	1445051-6
2	12.00	16.43	12.00	19.14	5	1445051-5
2	9.00	13.43	9.00	16.14	4	1445051-4
2	6.00	10.43	6.00	13.14	3	1445051-3
2	3.00	7.43	3.00	10.14	2	1445051-2
FINISH	DIM Z	DIM V	DIM T	DIM W	NO. OF POSN	PART NUMBER

THIS DRAWING IS A CONTROLLED DOCUMENT.		DWN J.ROOT 08OCT2000	TE Connectivity	
DIMENSIONS: mm		CHK K.WHITAKER 12-MAR-2001		
TOLERANCES UNLESS OTHERWISE SPECIFIED:		APVD K.WHITAKER 12-MAR-2001	NAME VERTICAL THRU HOLE HEADER ASSY, TIN CONTACTS, WITH THRU HOLE HOLDDOWNS, SINGLE ROW, MICRO MATE-N-LOK™	
0 PLC ±		PRODUCT SPEC -	SIZE A2	
1 PLC ±		APPLICATION SPEC -	CAGE CODE 00779	
2 PLC ±0.20		WEIGHT -	DRAWING NO 1445051	
3 PLC ±		CUSTOMER DRAWING		
4 PLC ±		SCALE 5:1		
ANGLES ±		SHEET 1 OF 1		
FINISH		REV A2		
SEE TABLE				