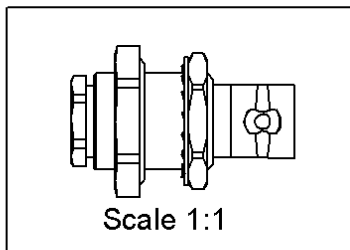
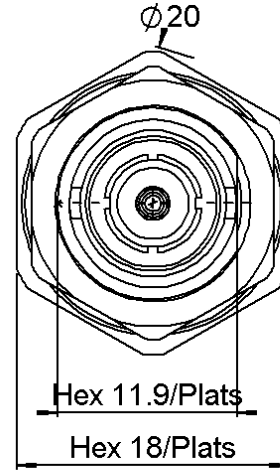
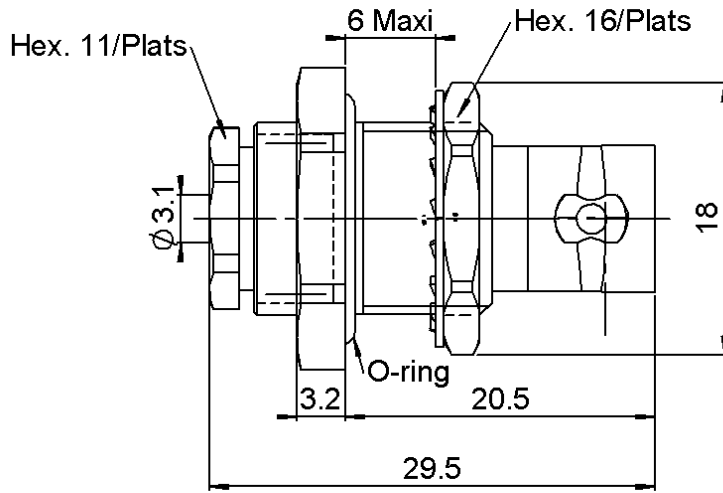


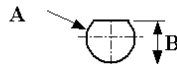
**STRAIGHT BULKHEAD JACK PANEL SEAL**  
**REAR MOUNT CLAMP TYPE - CABLE 2.6/50**

**R141.324.000**

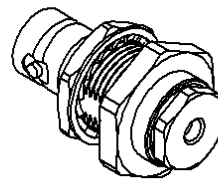
Series : BNC



PANEL CUT OUT



|   |  | mm   |      |
|---|--|------|------|
|   |  | Maxi | mini |
| A |  | 12.8 | 12.7 |
| B |  | 12.1 | 12   |



All dimensions are in mm.



| COMPONENTS     | MATERIALS        | PLATING (µm)           |
|----------------|------------------|------------------------|
| BODY           | BRASS            | NICKEL 2               |
| CENTER CONTACT | BERYLLIUM COPPER | GOLD 0.5 OVER NICKEL 2 |
| OUTER CONTACT  | -                | -                      |
| INSULATOR      | PTFE             | -                      |
| GASKET         | SILICONE RUBBER  | -                      |
| OTHERS PARTS   | BRASS            | NICKEL 2               |
| -              | -                | -                      |
| -              | -                | -                      |

Issue : 0635 B

In the effort to improve our products, we reserve the right to make changes judged to be necessary.



**STRAIGHT BULKHEAD JACK PANEL SEAL**

**R141.324.000**

**REAR MOUNT CLAMP TYPE - CABLE 2.6/50**

Series : BNC

**PACKAGING**

| Standard   | Unit              | Other             |
|------------|-------------------|-------------------|
| <b>100</b> | <b>'W' option</b> | <b>Contact us</b> |

**SPECIFICATION**

**ELECTRICAL CHARACTERISTICS**

|                                 |             |                              |
|---------------------------------|-------------|------------------------------|
| Impedance                       |             | <b>50</b> Ω                  |
| Frequency                       |             | <b>0-4</b> GHz               |
| VSWR                            | <b>AD +</b> | <b>0,0000</b> x F(GHz) Maxi  |
| Insertion loss                  |             | <b>0.115</b> √F(GHz) dB Maxi |
| RF leakage                      | - (         | - F(GHz)) dB Maxi            |
| Voltage rating                  |             | <b>335</b> Veff Maxi         |
| Dielectric withstanding voltage |             | <b>1500</b> Veff mini        |
| Insulation resistance           |             | <b>5000</b> MΩ mini          |

**CABLE ASSEMBLY**

| Stripping | a    | b    | c    | d    | e    | f    |
|-----------|------|------|------|------|------|------|
| mm        | 4,00 | 2,00 | 9,00 | 0,00 | 5,00 | 0,00 |

Assembly instruction : **Clamp 01**

Recommended cable(s)  
 RG 316  
 RG 179  
 RG 188  
 RG 187  
 KX 22A

Characteristics indicated on this data sheet are those that can be achieved with the highest performance cable. Intrinsic limitations of the cable may diminish the performance of the assembly

Cable retention

- pull off **110** N mini  
 - torque - N.cm

**MECHANICAL CHARACTERISTICS**

|                            |           |           |
|----------------------------|-----------|-----------|
| Center contact retention   |           |           |
| Axial force – Mating end   | <b>27</b> | N mini    |
| Axial force – Opposite end | <b>27</b> | N mini    |
| Torque                     | -         | N.cm mini |

**TOOLING**

|                    |               |      |
|--------------------|---------------|------|
| Recommended torque |               |      |
| Mating             | -             | N.cm |
| Panel nut          | -             | N.cm |
| Clamp nut          | -             | N.cm |
| A/F clamp nut      | <b>0,0000</b> | mm   |

| Part Number | Description | Hexagon |
|-------------|-------------|---------|
| .           | .           | .       |

**OTHER CHARACTERISTICS**

|             |                |             |
|-------------|----------------|-------------|
| Mating life | <b>0</b>       | Cycles mini |
| Weight      | <b>24,7610</b> | g           |

**ENVIRONMENTAL**

|                       |                 |           |
|-----------------------|-----------------|-----------|
| Operating temperature | <b>-65,+165</b> | ° C       |
| Hermetic seal         | <b>NA</b>       | Atm.cm3/s |
| Panel leakage         | -               |           |

Issue : 0635 B

In the effort to improve our products, we reserve the right to make changes judged to be necessary.

