

MOS INTEGRATED CIRCUIT

μ PD784035(A), 784036(A)

16/8-BIT SINGLE-CHIP MICROCONTROLLER

The μ PD784036(A) is a product of the μ PD784038 sub-series in the 78K/IV series. A stricter quality assurance program applies to the μ PD784036(A) than the μ PD784036 (standard product). In terms of the NEC quality, the μ PD784036(A) is classified as the special grade.

The μ PD784036(A) contains various peripheral hardware such as ROM, RAM, I/O ports, 8-bit resolution A/D and D/A converters, timers, serial interface, and interrupt functions, as well as a high-speed, high-performance CPU.

In addition, the μ PD78P4038(A) (one-time PROM or EPROM product), which can be operated within the same power supply voltage ranges as masked-ROM products, and development tools are supported.

For specific functions and other detailed information, consult the following user's manual.

This manual is required reading for design work.

μ PD784038, 784038Y Sub-Series User's Manual, Hardware : U11316E

78K/IV Series User's Manual, Instruction : U10905E

FEATURES

- Higher reliability than the μ PD784036 (Refer to Quality Grade on NEC Semiconductor Devices (Document number C11531E).)
- Minimum instruction execution time: 125 ns (at 32 MHz)
- Number of I/O ports: 64
- Timer/counters
 - 16-bit timer/counter \times 3 units
 - 16-bit timer \times 1 unit
- A/D converter: 8-bit resolution \times 8 channels
- D/A converter: 8-bit resolution \times 2 channels
- Standby function
 - HALT/STOP/IDLE mode
- PWM outputs: 2
- Serial interface: 3 channels
 - UART/IOE (3-wire serial I/O): 2 channels
 - CSI (3-wire serial I/O, 2-wire serial I/O): 1 channel
- Clock frequency division function
- Watchdog timer: 1 channel
- Clock output function
 - Selected from fCLK, fCLK/2, fCLK/4, fCLK/8, or fCLK/16
- Power supply voltage: $V_{DD} = 2.7$ to 5.5 V

APPLICATIONS

Controllers for automobile electronic control systems, gas detector circuit-breakers, various types of safety equipment, etc.

This manual describes the μ PD784036(A) unless otherwise specified.

The information in this document is subject to change without notice.

ORDERING INFORMATION

Part number	Package	Internal ROM (bytes)	Internal RAM (bytes)
μPD784035GC(A)-xxx-3B9	80-pin plastic QFP (14 × 14 mm)	48K	2 048
μPD784036GC(A)-xxx-3B9	80-pin plastic QFP (14 × 14 mm)	64K	2 048

Remark xxx is a ROM code suffix.

QUALITY GRADE

Part number	Package	Quality grade
μPD784035GC(A)-xxx-3B9	80-pin plastic QFP (14 × 14 mm)	Special
μPD784036GC(A)-xxx-3B9	80-pin plastic QFP (14 × 14 mm)	Special

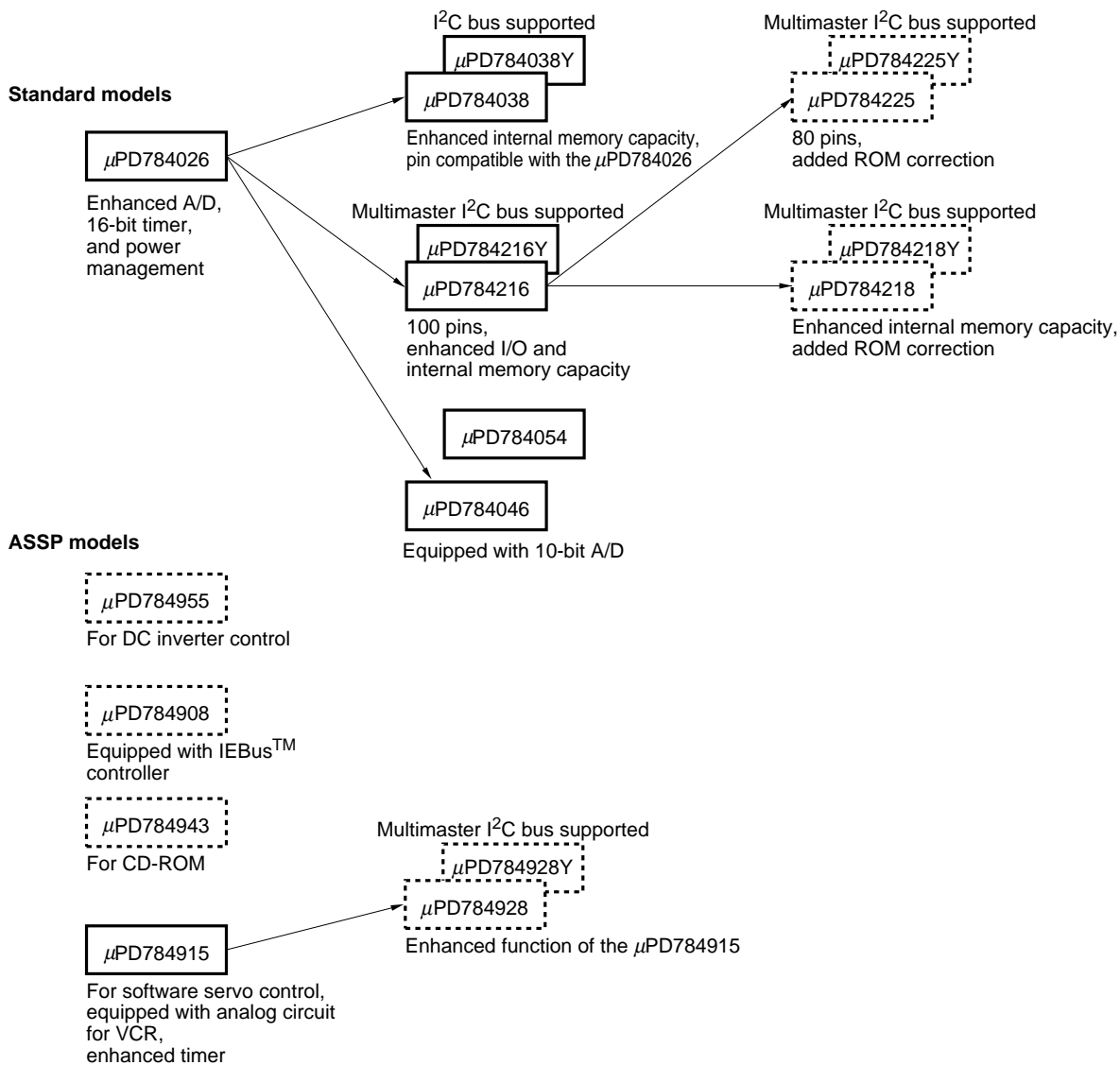
Remark xxx is a ROM code suffix.

Please refer to "Quality Grades on NEC Semiconductor Devices" (Document No. C11531E) published by NEC Corporation to know the specification of quality grade on the devices and its recommended applications.

78K/IV SERIES PRODUCT DEVELOPMENT DIAGRAM

: Under mass production

: Under development



Product		μPD784035(A)	μPD784036(A)	
Item				
Number of basic instructions (mnemonics)		113		
General-purpose register		8 bits × 16 registers × 8 banks, or 16 bits × 8 registers × 8 banks (memory mapping)		
Minimum instruction execution time		125 ns/250 ns/500 ns/1 000 ns (at 32 MHz)		
Internal memory	ROM	48K bytes	64K bytes	
	RAM	2 048 bytes		
Memory space		Program and data: 1M byte		
I/O ports	Total	64		
	Input	8		
	Input/output	56		
	Additional function pins ^{Note}			
	Pins with pull-up resistor	54		
	LED direct drive outputs	24		
	Transistor direct drive	8		
Real-time output ports		4 bits × 2, or 8 bits × 1		
Timer/counter		Timer/counter 0: (16 bits)	Timer register × 1 Capture register × 1 Compare register × 2	Pulse output capability • Toggle output • PWM/PPG output • One-shot pulse output
		Timer/counter 1: (8/16 bits)	Timer register × 1 Capture/register × 1 Compare register × 1	Pulse output capability • Real-time output (4 bits × 2)
		Timer/counter 2: (8/16 bits)	Timer register × 1 Capture register × 1 Capture/compare register × 1 Compare register × 1	Pulse output capability • Toggle output • PWM/PPG output
		Timer 3 (8/16 bits)	Timer register × 1 Compare register × 1	
PWM outputs		12-bit resolution × 2 channels		
Serial interface		UART/IOE (3-wire serial I/O) : 2 channels (incorporating baud rate generator) CSI (3-wire serial I/O, 2-wire serial I/O): 1 channel		
A/D converter		8-bit resolution × 8 channels		
D/A converter		8-bit resolution × 2 channels		
Clock output		Selected from f _{CLK} , f _{CLK} /2, f _{CLK} /4, f _{CLK} /8, f _{CLK} /16 (can be used as a 1-bit output port)		
Watchdog timer		1 channel		
Standby		HALT/STOP/IDLE mode		
Interrupt	Hardware source	23 (16 internal, 7 external (sampling clock variable input: 1))		
	Software source	BRK instruction, BRKCS instruction, operand error		
	Nonmaskable	1 internal, 1 external		
	Maskable	15 internal, 6 external		
		<ul style="list-style-type: none"> • 4-level programmable priority • 3 operation statuses: vectored interrupt, macro service, context switching 		
Supply voltage		V _{DD} = 2.7 to 5.5 V		
Package		80-pin plastic QFP (14 × 14 mm)		

Note Additional function pins are included in the I/O pins.

	μPD784038 SUB-SERIES SPECIAL PRODUCTS	7
2.	DIFFERENCES BETWEEN STANDARD AND SPECIAL PRODUCTS	7
3.	PIN CONFIGURATION (TOP VIEW)	8
4.	BLOCK DIAGRAM	10
5.	LIST OF PIN FUNCTIONS	11
5.1	Port Pins	11
5.2	Non-Port Pins	13
5.3	I/O Circuits for Pins and Handling of Unused Pins	15
6.	CPU ARCHITECTURE	18
6.1	Memory Space	18
6.2	CPU Registers	21
6.2.1	General-purpose registers	21
6.2.2	Control registers	22
6.2.3	Special function registers (SFRs)	23
7.	PERIPHERAL HARDWARE FUNCTIONS	28
7.1	Ports	28
7.2	Clock Generator	29
7.3	Real-Time Output Port	31
7.4	Timers/Counters	32
7.5	PWM Output (PWM0, PWM1)	34
7.6	A/D Converter	35
7.7	D/A Converter	36
7.8	Serial Interface	37
7.8.1	Asynchronous serial interface/three-wire serial I/O (UART/IOE)	38
7.8.2	Synchronous serial interface (CSI)	40
7.9	Clock Output Function	41
7.10	Edge Detection Function	42
7.11	Watchdog Timer	42
8.	INTERRUPT FUNCTION	43
8.1	Interrupt Source	43
8.2	Vectored Interrupt	45
8.3	Context Switching	46
8.4	Macro Service	46
8.5	Examples of Macro Service Applications	47

9.1	Memory Expansion	49
9.2	Memory Space	50
9.3	Programmable Wait	51
9.4	Pseudo-Static RAM Refresh Function	51
9.5	Bus Hold Function	51
10.	STANDBY FUNCTION	52
11.	RESET FUNCTION	53
12.	INSTRUCTION SET	54
13.	ELECTRICAL CHARACTERISTICS	59
14.	PACKAGE DRAWINGS	80
15.	RECOMMENDED SOLDERING CONDITIONS	81
	APPENDIX A DEVELOPMENT TOOLS	82
	APPENDIX B RELATED DOCUMENTS	85

μPD784038 SUB-SERIES SPECIAL PRODUCTS

The only difference between the μPD784031(A), μPD784035(A), and μPD784036(A) is their capacity of internal memory.

The μPD78P4038(A) is produced by replacing the masked ROM in the μPD784031(A), μPD784035(A), or μPD784036(A) with 128K-byte one-time PROM or EPROM. Table 1-1 shows the differences between these products.

Table 1-1. Differences between the μPD784038 Sub-Series Special Products

Product Item	μPD784031(A)	μPD784035(A)	μPD784036(A)	μPD78P4038(A) (under development)
Internal ROM	None	48K bytes (masked ROM)	64K bytes (masked ROM)	128K bytes (one-time PROM or EPROM)
Internal RAM	2 048 bytes			4 352 bytes

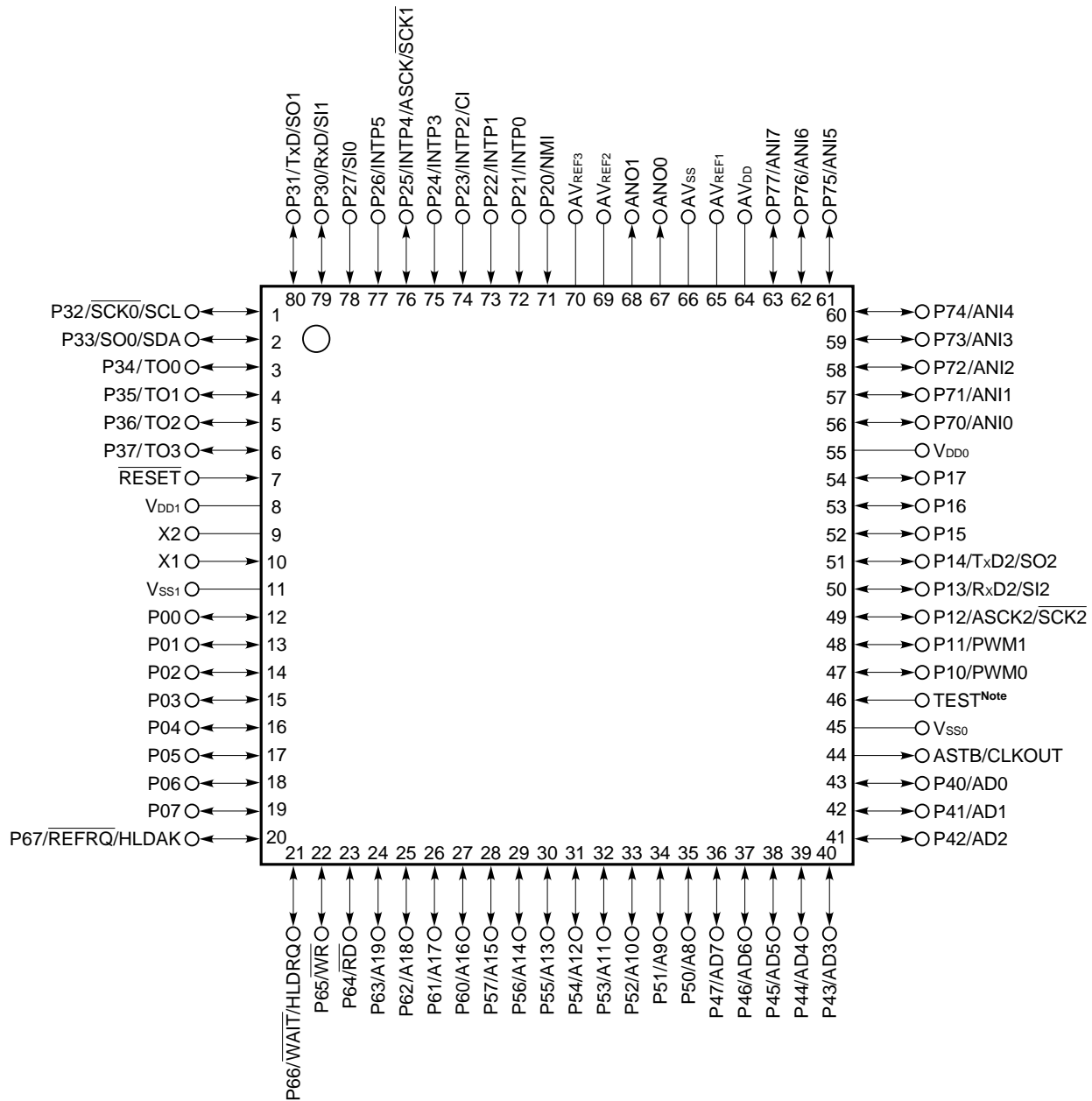
2. DIFFERENCES BETWEEN STANDARD AND SPECIAL PRODUCTS

Table 2-1 shows the differences between standard and special products.

Table 2-1. Differences between Standard and Special Products

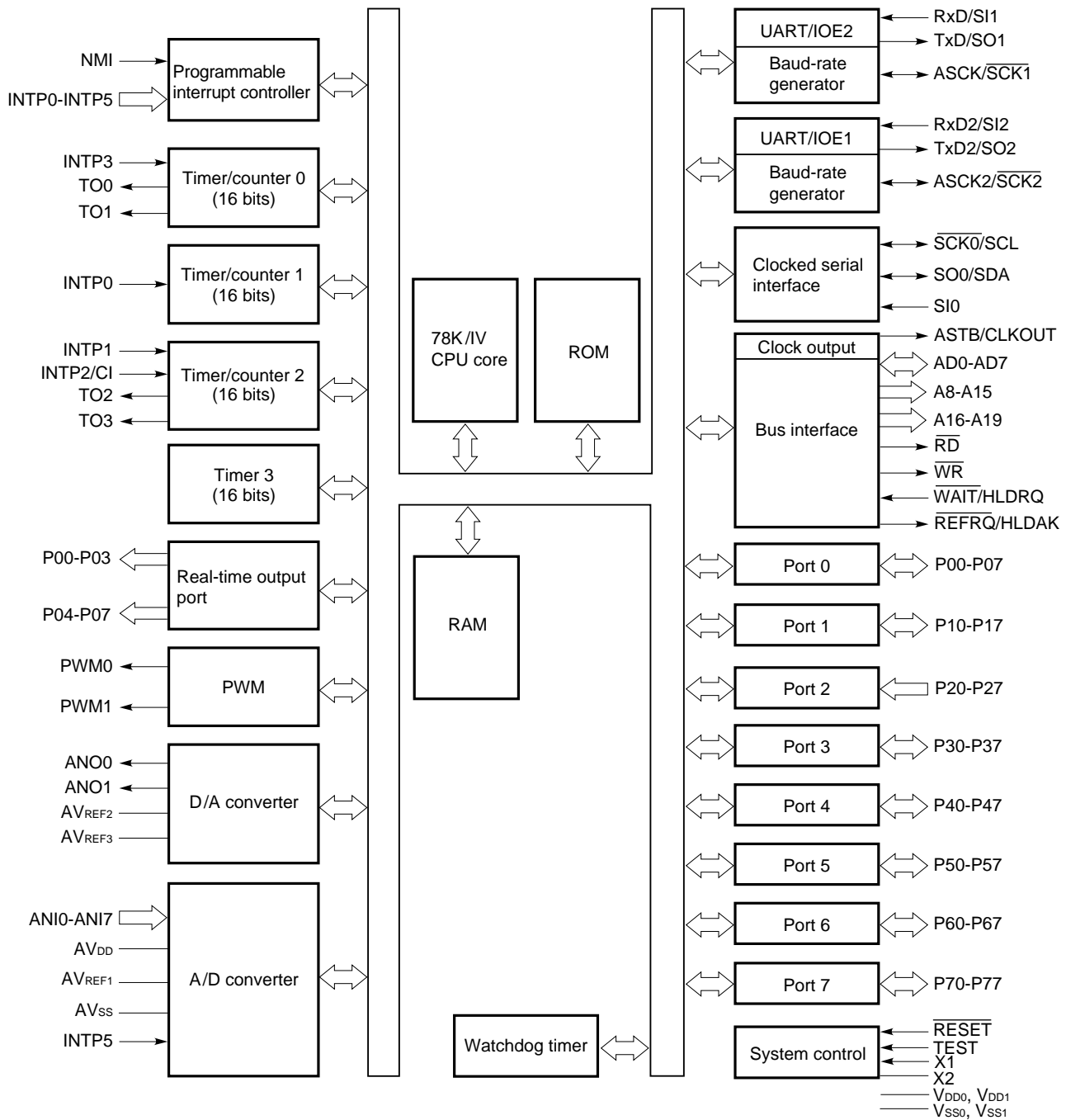
Product Item	μPD784035(A), μPD784036(A)	μPD784035, μPD784036, μPD784037, μPD784038
Quality grade	Special	Standard
Package	80-pin plastic QFP (14 × 14 × 2.7 mm)	80-pin plastic QFP (14 × 14 × 2.7 mm) 80-pin plastic QFP (14 × 14 × 1.4 mm) 80-pin plastic TQFP (fine pitch, 12 × 12 mm)

- 80-pin plastic QFP (14 × 14 mm)
 μPD784031GC(A)-xxx-3B9, μPD784036GC(A)-xxx-3B9



Note Connect the TEST pin to V_{SS0} directly.

A8-A19	: Address bus	P60-P67	: Port 6
AD0-AD7	: Address/data bus	P70-P77	: Port 7
ANI0-ANI7	: Analog input	PWM0, PWM1	: Pulse width modulation output
ANO0, ANO1	: Analog output	\overline{RD}	: Read strobe
ASCK, ASCK2	: Asynchronous serial clock	\overline{REFRQ}	: Refresh request
ASTB	: Address strobe	\overline{RESET}	: Reset
AV _{DD}	: Analog power supply	RxD, RxD2	: Receive data
AV _{REF1} -AV _{REF3}	: Reference voltage	$\overline{SCK0}$ - $\overline{SCK2}$: Serial clock
AV _{SS}	: Analog ground	SCL	: Serial clock
CI	: Clock input	SDA	: Serial data
CLKOUT	: Clock output	SI0-SI2	: Serial input
HLD _{AK}	: Hold acknowledge	SO0-SO2	: Serial output
HLD _{RQ}	: Hold request	TEST	: Test
INTP0-INTP5	: Interrupt from peripherals	TO0-TO3	: Timer output
NMI	: Non-maskable interrupt	TxD, TxD2	: Transmit data
P00-P07	: Port 0	V _{DD0} , V _{DD1}	: Power supply
P10-P17	: Port 1	V _{SS0} , V _{SS1}	: Ground
P20-P27	: Port 2	\overline{WAIT}	: Wait
P30-P37	: Port 3	\overline{WR}	: Write strobe
P40-P47	: Port 4	X1, X2	: Crystal
P50-P57	: Port 5		



Remark The internal ROM capacity differs for each product.

5.1 Port Pins (1/2)

Pin	I/O	Dual-function	Function
P00-P07	I/O	-	<p>Port 0 (P0):</p> <ul style="list-style-type: none"> • 8-bit I/O port. • Functions as a real-time output port (4 bits × 2). • Inputs and outputs can be specified bit by bit. • The use of the pull-up resistors can be specified by software for the pins in input mode together. • Can drive a transistor.
P10	I/O	PWM0	<p>Port 1 (P1):</p> <ul style="list-style-type: none"> • 8-bit I/O port. • Inputs and outputs can be specified bit by bit. • The use of the pull-up resistors can be specified by software for the pins in input mode together. • Can drive LED.
P11		PWM1	
P12		ASCK2/SCK2	
P13		RxD2/SI2	
P14		TxD2/SO2	
P15-P17		-	
P20	Input	NMI	<p>Port 2 (P2):</p> <ul style="list-style-type: none"> • 8-bit input-only port. • P20 does not function as a general-purpose port (nonmaskable interrupt). However, the input level can be checked by an interrupt service routine. • The use of the pull-up resistors can be specified by software for pins P22 to P27 (in units of 6 bits). • The P25/INTP4/ASCK/SCK1 pin functions as the SCK1 output pin by CSIM1.
P21		INTP0	
P22		INTP1	
P23		INTP2/CI	
P24		INTP3	
P25		INTP4/ASCK/SCK1	
P26		INTP5	
P27		SI0	
P30	I/O	RxD/SI1	<p>Port 3 (P3):</p> <ul style="list-style-type: none"> • 8-bit I/O port. • Inputs and outputs can be specified bit by bit. • The use of the pull-up resistors can be specified by software for the pins in input mode together.
P31		TxD/SO1	
P32		SCK0/SCL	
P33		SO0/SDA	
P34-P37		TO0-TO3	
P40-P47	I/O	AD0-AD7	<p>Port 4 (P4):</p> <ul style="list-style-type: none"> • 8-bit I/O port. • Inputs and outputs can be specified bit by bit. • The use of the pull-up resistors can be specified by software for the pins in the input mode together. • Can drive LED.
P50-P57	I/O	A8-A15	<p>Port 5 (P5):</p> <ul style="list-style-type: none"> • 8-bit I/O port. • Inputs and outputs can be specified bit by bit. • The use of the pull-up resistors can be specified by software for the pins in the input mode together. • Can drive LED.

5.1 Port Pins (2/2)

Pin	I/O	Dual-function	Function
P60-P63	I/O	A16-A19	Port 6 (P6): <ul style="list-style-type: none"> • 8-bit I/O port. • Inputs and outputs can be specified bit by bit. • The use of the pull-up resistors can be specified by software for the pins in the input mode together.
P64		\overline{RD}	
P65		\overline{WR}	
P66		$\overline{WAIT/HLDRQ}$	
P67		$\overline{REFRQ/HLDAK}$	
P70-P77	I/O	ANI0-ANI7	Port 7 (P7): <ul style="list-style-type: none"> • 8-bit I/O port. • Inputs and outputs can be specified bit by bit.

5.2 Non-Port Pins (1/2)

Pin	I/O	Dual-function	Function	
TO0-TO3	Output	P34-P37	Timer output	
CI	Input	P23/INTP2	Input of a count clock for timer/counter 2	
RxD	Input	P30/SI1	Serial data input (UART0)	
RxD2		P13/SI2	Serial data input (UART2)	
TxD	Output	P31/SO1	Serial data output (UART0)	
TxD2		P14/SO2	Serial data output (UART2)	
ASCK	Input	P25/INTP4/ $\overline{\text{SCK1}}$	Baud rate clock input (UART0)	
ASCK2		P12/ $\overline{\text{SCK2}}$	Baud rate clock input (UART2)	
SDA	I/O	P33/SO0	Serial data I/O (2-wire serial I/O)	
SI0	Input	P27	Serial data input (3-wire serial I/O0)	
SI1		P30/RxD	Serial data input (3-wire serial I/O1)	
SI2		P13/RxD2	Serial data input (3-wire serial I/O2)	
SO0	Output	P33/SDA	Serial data output (3-wire serial I/O0)	
SO1		P31/TxD	Serial data output (3-wire serial I/O1)	
SO2		P14/TxD2	Serial data output (3-wire serial I/O2)	
$\overline{\text{SCK0}}$	I/O	P32/SCL	Serial clock I/O (3-wire serial I/O0)	
$\overline{\text{SCK1}}$		P25/INTP4/ASCK	Serial clock I/O (3-wire serial I/O1)	
$\overline{\text{SCK2}}$		P12/ASCK2	Serial clock I/O (3-wire serial I/O2)	
SCL		P32/ $\overline{\text{SCK0}}$	Serial clock I/O (2-wire serial I/O)	
NMI	Input	P20	External interrupt request	-
INTP0		P21		<ul style="list-style-type: none"> Input of a count clock for timer/counter 1 Capture/trigger signal for CR11 or CR12
INTP1		P22		<ul style="list-style-type: none"> Input of a count clock for timer/counter 2 Capture/trigger signal for CR22
INTP2		P23/CI		<ul style="list-style-type: none"> Input of a count clock for timer/counter 2 Capture/trigger signal for CR21
INTP3		P24		<ul style="list-style-type: none"> Input of a count clock for timer/counter 0 Capture/trigger signal for CR02
INTP4		P25/ASCK/ $\overline{\text{SCK1}}$		-
INTP5		P26		Input of a conversion start trigger for A/D converter
AD0-AD7	I/O	P40-P47	Time multiplexing address/data bus (for connecting external memory)	
A8-A15	Output	P50-P57	High-order address bus (for connecting external memory)	
A16-A19	Output	P60-P63	High-order address bus during address expansion (for connecting external memory)	
$\overline{\text{RD}}$	Output	P64	Strobe signal output for reading the contents of external memory	
$\overline{\text{WR}}$	Output	P65	Strobe signal output for writing on external memory	
$\overline{\text{WAIT}}$	Input	P66/HLDRQ	Wait signal insertion	
$\overline{\text{REFRQ}}$	Output	P67/HLDAK	Refresh pulse output to external pseudo static memory	
HLDRQ	Input	P66/ $\overline{\text{WAIT}}$	Input of bus hold request	
HLDAK	Output	P67/ $\overline{\text{REFRQ}}$	Output of bus hold response	
ASTB	Output	CLKOUT	Latch timing output of time multiplexing address (A0-A7) (for connecting external memory)	
CLKOUT	Output	ASTB	Clock output	

5.2 Non-Port Pins (2/2)

Pin	I/O	Dual-function	Function
RESET	Input	-	Chip reset
X1	Input	-	Crystal input for system clock oscillation (A clock pulse can also be input to the X1 pin.)
X2	-		
ANI0-ANI7	Input	P70-P77	Analog voltage inputs for the A/D converter
ANO0, ANO1	Output	-	Analog voltage outputs for the D/A converter
AVREF1	-	-	Application of A/D converter reference voltage
AVREF2, AVREF3			Application of D/A converter reference voltage
AVDD			Positive power supply for the A/D converter
AVSS			Ground for the A/D converter
VDD0 Note 1			Positive power supply of the port part
VDD1 Note 1			Positive power supply except for the port part
VSS0 Note 2			Ground of the port part
VSS1 Note 2			Ground except for the port part
TEST			Directly connect to VSS0. (The TEST pin is for the IC test.)

Notes 1. The potential of the VDD0 pin must be equal to that of the VDD1 pin.

2. The potential of the VSS0 pin must be equal to that of the VSS1 pin.

5.3 I/O Circuits for Pins and Handling of Unused Pins

Table 5-1 describes the types of I/O circuits for pins and the handling of unused pins.

See Figure 5-1 for the configuration of these various types of I/O circuits.

Table 5-1. Types of I/O Circuits for Pins and Handling of Unused Pins (1/2)

Pin	I/O circuit type	I/O	Recommended connection method for unused pins		
P00-P07	5-H	I/O	Input state : Connect these pins to V_{DD0} . Output state: Leave open.		
P10/PWM0					
P11/PWM1					
P12/ASCK2/ $\overline{SCK2}$					
P13/RxD2/SI2					
P14/TxD2/SO2					
P15-P17	8-C	5-H			
P20/NMI					
P21/INTP0					
P22/INTP1					
P23/INTP2/CI					
P24/INTP3					
P25/INTP4/ASCK/ $\overline{SCK1}$	2	Input	Connect these pins to V_{DD0} or V_{SS0} .		
P22/INTP1	2-C			Connect these pins to V_{DD0} .	
P23/INTP2/CI	8-C		I/O	Input state : Connect these pins to V_{DD0} . Output state: Leave open.	
P24/INTP3					
P26/INTP5	2-C		Input	Connect these pins to V_{DD0} .	
P27/SI0					
P30/RxD/SI1	5-H	I/O	Input state : Connect these pins to V_{DD0} . Output state: Leave open.		
P31/TxD/SO1					
P32/ $\overline{SCK0}$ /SCL					
P33/SO0/SDA	10-B	5-H			
P34/TO0-P37/TO3					
P40/AD0-P47/AD7					
P50/A8-P57/A15					
P60/A16-P63/A19					
P64/ \overline{RD}					
P65/ \overline{WR}					
P66/ \overline{WAIT} /HLDRQ					
P67/ \overline{REFRQ} /HLDAK					
P70/ANI0-P77/ANI7	20-A			I/O	Input state : Connect these pins to V_{DD0} or V_{SS0} . Output state: Leave open.
ANO0, ANO1	12				
ASTB/CLKOUT	4-B			Output	Leave open.

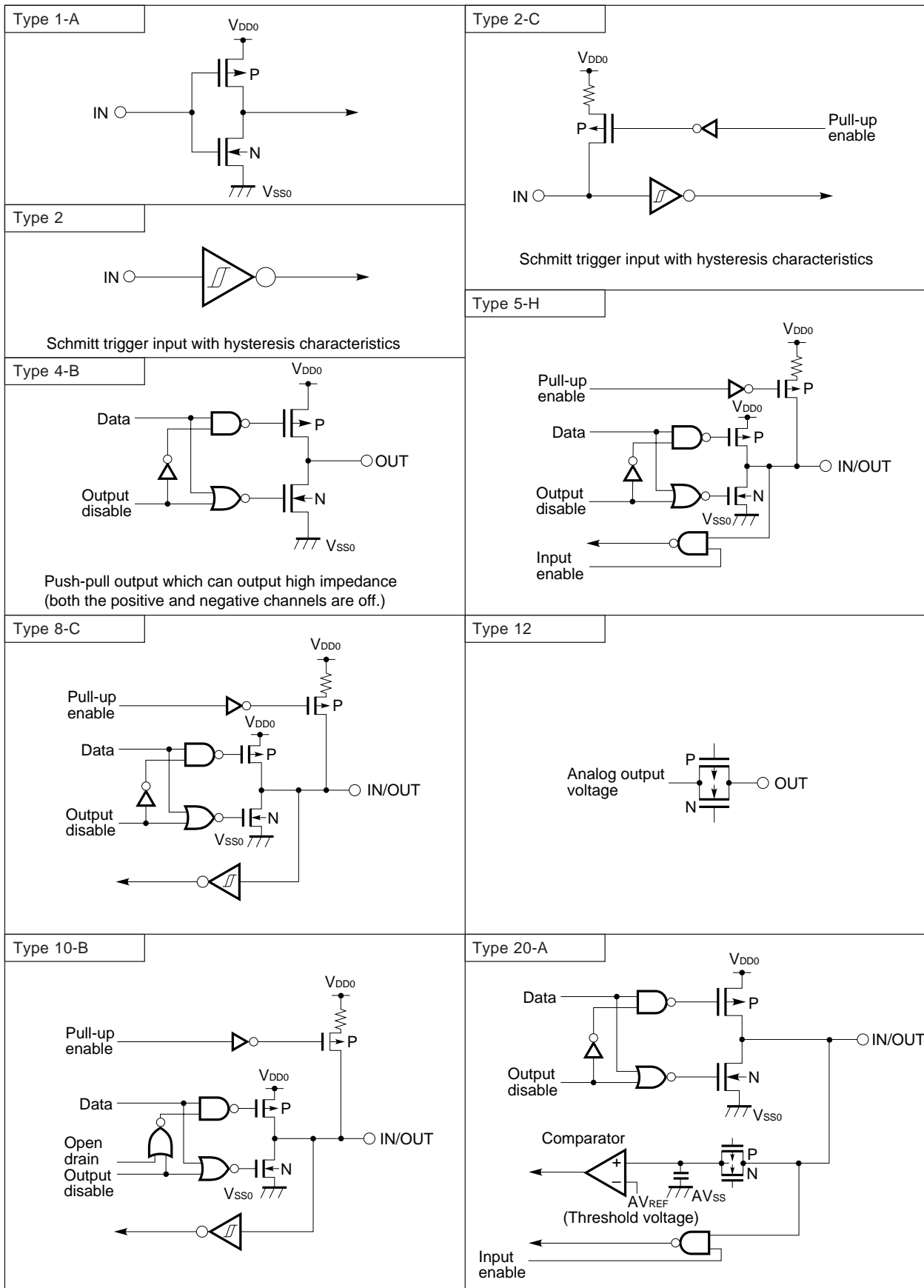
Table 5-1. Types of I/O Circuits for Pins and Handling of Unused Pins (2/2)

Pin	I/O circuit type	I/O	Recommended connection method for unused pins
RESET	2	Input	-
TEST	1-A		Connect this pin to V _{SS0} directly.
AV _{REF1} -AV _{REF3}	-		Connect these pins to V _{SS0} .
AV _{SS}			
AV _{DD}			Connect this pin to V _{DD0} .

Caution When I/O mode of an I/O dual-function pin is unpredictable, connect the pin to V_{DD0} through a resistor of 10 to 100 kilohms (particularly when the voltage of the reset input pin becomes higher than that of the low level input at power-on or when I/O is switched by software).

Remark Since type numbers are consistent in the 78K series, those numbers are not always serial in each product. (Some circuits are not included.)

Figure 5-1. I/O Circuits for Pins



6.1 Memory Space

A 1M-byte memory space can be accessed. By using a LOCATION instruction, mode for mapping internal data areas (special function registers and internal RAM) can be selected. A LOCATION instruction must always be executed after a reset, and can be used only once.

(1) When the LOCATION 0 instruction is executed

• **Internal memory**

The table below indicates the internal data areas and internal ROM areas of each product.

Product name	Internal data area	Internal ROM area
μPD784035(A)	0F700H-0FFFFH	00000H-0BFFFFH
μPD784036(A)		00000H-0F6FFFH

Caution The following internal ROM areas, existing at the same addresses as the internal data areas, cannot be used when the LOCATION 0 instruction is executed:

Product name	Unusable area
μPD784035(A)	-
μPD784036(A)	0F700H-0FFFFH (2 304 bytes)

• **External memory**

External memory is accessed in external memory expansion mode.

(2) When the LOCATION 0FH instruction is executed

• **Internal memory**

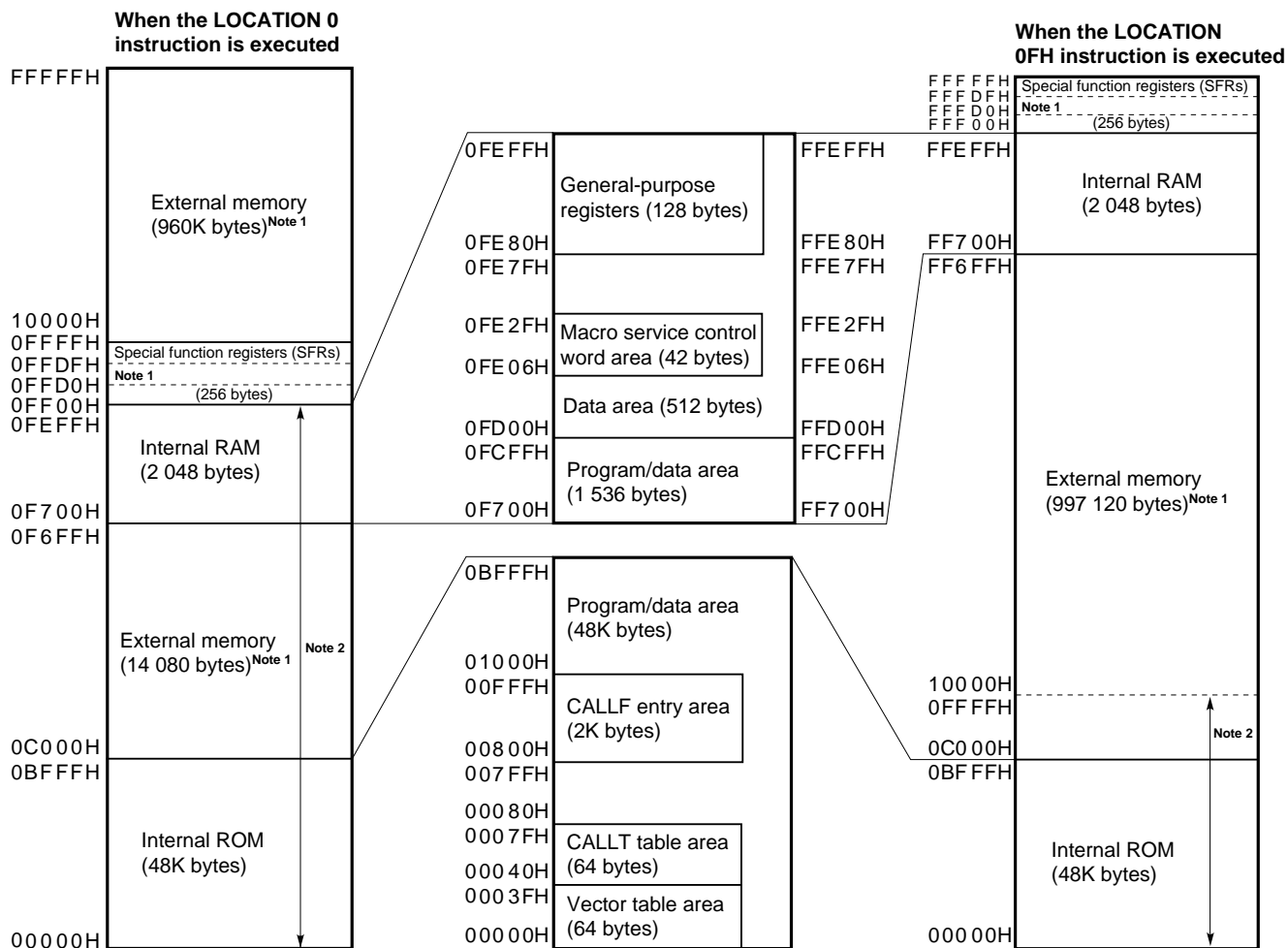
The table below lists the internal data areas and internal ROM areas for each product.

Product name	Internal data area	Internal ROM area
μPD784035(A)	FF700H-FFFFFFH	00000H-0BFFFFH
μPD784036(A)		00000H-0FFFFH

• **External memory**

External memory is accessed in external memory expansion mode.

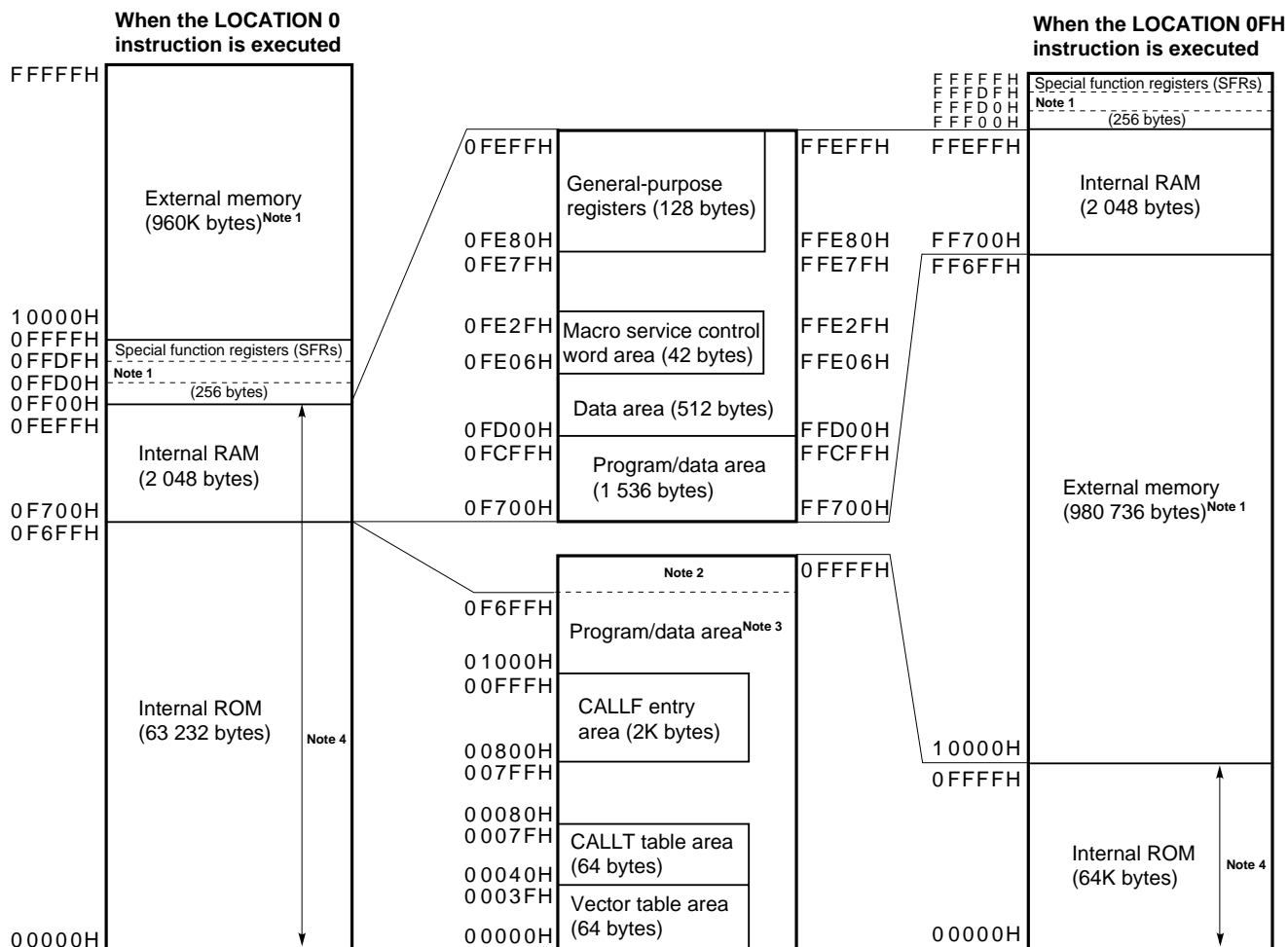
Figure 6-1. μ PD784035(A) Memory Map



Notes 1. Accessed in external memory expansion mode.

2. Base area, or entry area based on a reset or interrupt. Internal RAM is excluded in the case of a reset.

Figure 6-2. μPD784036(A) Memory Map



- Notes**
1. Accessed in external memory expansion mode.
 2. This 2304-byte area can be used as an internal ROM area only when the LOCATION 0FH instruction is executed.
 3. When the LOCATION 0 instruction is executed : 63 232 bytes
When the LOCATION 0FH instruction is executed: 65 536 bytes
 4. Base area, or entry area based on a reset or interrupt. Internal RAM is excluded in the case of a reset.

6.2 CPU Registers

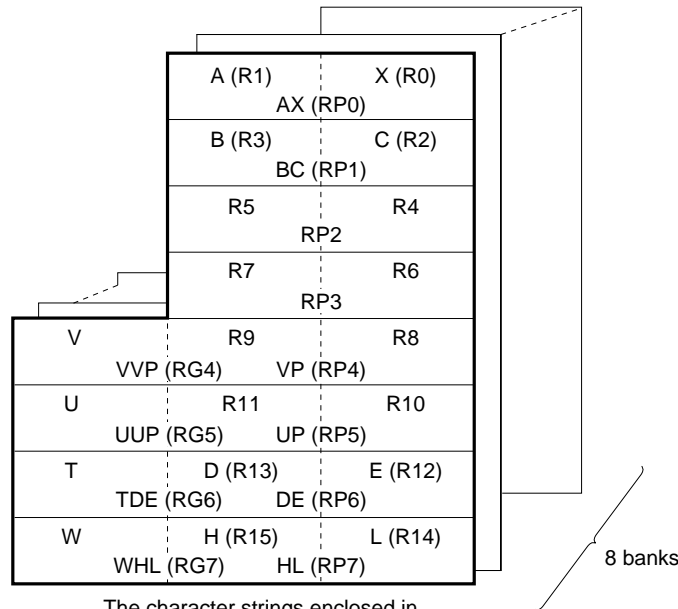
6.2.1 General-purpose registers

A set of general-purpose registers consists of sixteen general-purpose 8-bit registers. Two 8-bit general-purpose registers can be combined to form a 16-bit general-purpose register. Moreover, four 16-bit general-purpose registers, when combined with an 8-bit register for address extension, can be used as 24-bit address specification registers.

Eight banks of this register set are provided. The user can switch between banks by software or the context switching function.

General-purpose registers other than the V, U, T, and W registers used for address extension are mapped onto internal RAM.

Figure 6-3. General-Purpose Register Format



The character strings enclosed in parentheses represent absolute names.

Caution By setting the RSS bit of PSW to 1, R4, R5, R6, R7, RP2, and RP3 can be used as the X, A, C, B, AX, and BC registers, respectively. However, this function must be used only when using programs for the 78K/III series.

6.2.2 Control registers

(1) Program counter (PC)

This register is a 20-bit program counter. The program counter is automatically updated by program execution.

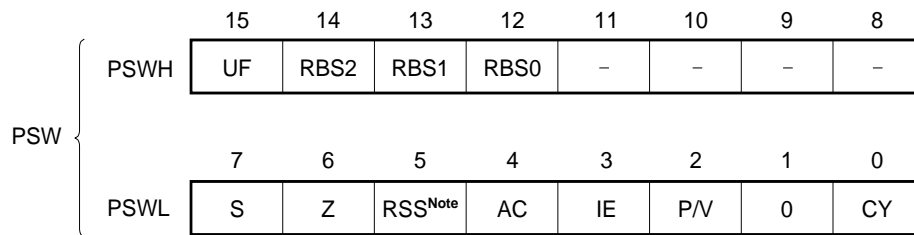
Figure 6-4. Format of Program Counter (PC)



(2) Program status word (PSW)

This register holds the CPU state. The program status word is automatically updated by program execution.

Figure 6-5. Format of Program Status Word (PSW)

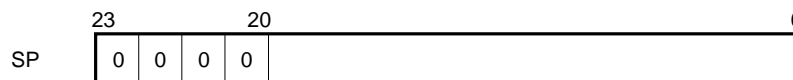


Note This flag is used to maintain compatibility with the 78K/III series. This flag must be set to 0 when programs for the 78K/III series are being used.

(3) Stack pointer (SP)

This register is a 24-bit pointer for holding the start address of the stack. The high-order 4 bits must be set to 0.

Figure 6-6. Format of Stack Pointer (SP)



6.2.3 Special function registers (SFRs)

The special function registers are registers with special functions such as mode registers and control registers for built-in peripheral hardware. The special function registers are mapped onto the 256-byte space between 0FF00H and 0FFFFH^{Note}.

Note Applicable when the LOCATION 0 instruction is executed. FFF00H-FFFFFH when the LOCATION 0FH instruction is executed.

Caution Never attempt to access addresses in this area where no SFR is allocated. Otherwise, the μPD784036(A) may be placed in the deadlock state. The deadlock state can be cleared only by a reset.

Table 6-1 lists the special function registers (SFRs). The titles of the table columns are explained below.

- Abbreviation Symbol used to represent a built-in SFR. The abbreviations listed in the table are reserved words for the NEC assembler (RA78K4). The C compiler (CC78K4) allows the abbreviations to be used as sfr variables with the #pragma sfr command.
- R/W Indicates whether each SFR allows read and/or write operations.
 - R/W : Allows both read and write operations.
 - R : Allows read operations only.
 - W : Allows write operations only.
- Manipulatable bits Indicates the maximum number of bits that can be manipulated whenever an SFR is manipulated. An SFR that supports 16-bit manipulation can be described in the sfrp operand. For address specification, an even-numbered address must be specified.
 - An SFR that supports 1-bit manipulation can be described in a bit manipulation instruction.
- When reset Indicates the state of each register when $\overline{\text{RESET}}$ is applied.

Table 6-1. Special Function Registers (SFRs) (1/4)

Address ^{Note}	Special function register (SFR) name		Abbreviation	R/W	Manipulatable bits			When reset
					1 bit	8 bits	16 bits	
0FF00H	Port 0		P0	R/W	○	○	-	Undefined
0FF01H	Port 1		P1		○	○	-	
0FF02H	Port 2		P2	R	○	○	-	
0FF03H	Port 3		P3	R/W	○	○	-	
0FF04H	Port 4		P4		○	○	-	
0FF05H	Port 5		P5		○	○	-	
0FF06H	Port 6		P6		○	○	-	
0FF07H	Port 7		P7		○	○	-	Undefined
0FF0EH		Port 0 buffer register L	P0L		○	○	-	
0FF0FH	Port 0 buffer register H		P0H		○	○	-	
0FF10H	Compare register (timer/counter 0)		CR00		-	-	○	
0FF12H	Capture/compare register (timer/counter 0)		CR01		-	-	○	
0FF14H	Compare register L (timer/counter 1)		CR10	CR10W	-	○	○	
0FF15H	Compare register H (timer/counter 1)		-		-	-		
0FF16H	Capture/compare register L (timer/counter 1)		CR11	CR11W	-	○	○	
0FF17H	Capture/compare register H (timer/counter 1)		-		-	-		
0FF18H	Compare register L (timer/counter 2)		CR20	CR20W	-	○	○	
0FF19H	Compare register H (timer/counter 2)		-		-	-		
0FF1AH	Capture/compare register L (timer/counter 2)		CR21	CR21W	-	○	○	
0FF1BH	Capture/compare register H (timer/counter 2)		-		-	-		
0FF1CH	Compare register L (timer 3)		CR30	CR30W	-	○	○	
0FF1DH	Compare register H (timer 3)		-		-	-		
0FF20H	Port 0 mode register		PM0		○	○	-	FFH
0FF21H	Port 1 mode register		PM1		○	○	-	
0FF23H	Port 3 mode register		PM3		○	○	-	
0FF24H	Port 4 mode register		PM4		○	○	-	
0FF25H	Port 5 mode register		PM5		○	○	-	
0FF26H	Port 6 mode register		PM6		○	○	-	
0FF27H	Port 7 mode register		PM7		○	○	-	
0FF2EH	Real-time output port control register		RTPC		○	○	-	00H
0FF30H	Capture/compare control register 0		CRC0		-	○	-	10H
0FF31H	Timer output control register		TOC		○	○	-	00H
0FF32H	Capture/compare control register 1		CRC1		-	○	-	
0FF33H	Capture/compare control register 2		CRC2		-	○	-	10H

Note Applicable when the LOCATION 0 instruction is executed. When the LOCATION 0FH instruction is executed, F000H is added to each address.

Table 6-1. Special Function Registers (SFRs) (2/4)

Address ^{Note 1}	Special function register (SFR) name	Abbreviation		R/W	Manipulatable bits			When reset		
					1 bit	8 bits	16 bits			
0FF36H	Capture register (timer/counter 0)	CR02		R	-	-	○	0000H		
0FF38H	Capture register L (timer/counter 1)	CR12	CR12W		-	○	○			
0FF39H	Capture register H (timer/counter 1)	-			-	-				
0FF3AH	Capture register L (timer/counter 2)	CR22	CR22W		-	○	○			
0FF3BH	Capture register H (timer/counter 2)	-			-	-				
0FF41H	Port 1 mode control register	PMC1		R/W	○	○	-	00H		
0FF43H	Port 3 mode control register	PMC3			○	○	-			
0FF4EH	Register for optional pull-up resistor	PUO			○	○	-			
0FF50H	Timer register 0	TM0		R ^{Note 2}	-	-	○	0000H		
0FF51H					-	-				
0FF52H	Timer register 1	TM1	TM1W		-	○	○			
0FF53H		-			-	-				
0FF54H	Timer register 2	TM2	TM2W		-	○	○			
0FF55H		-			-	-				
0FF56H	Timer register 3	TM3	TM3W		-	○	○			
0FF57H		-			-	-				
0FF5CH	Prescaler mode register 0	PRM0			R/W	-	○		-	11H
0FF5DH	Timer control register 0	TMC0				○	○		-	00H
0FF5EH	Prescaler mode register 1	PRM1		-		○	-	11H		
0FF5FH	Timer control register 1	TMC1		○		○	-	00H		
0FF60H	D/A conversion value setting register 0	DACS0		-		○	-			
0FF61H	D/A conversion value setting register 1	DACS1		-		○	-			
0FF62H	D/A converter mode register	DAM		○		○	-	03H		
0FF68H	A/D converter mode register	ADM		○		○	-	00H		
0FF6AH	A/D conversion result register	ADCR		R		-	○	-	Undefined	
0FF70H	PWM control register	PWMC		R/W	○	○	-	05H		
0FF71H	PWM prescaler register	PWPR			-	○	-	00H		
0FF72H	PWM modulo register 0	PWM0			-	-	○	Undefined		
0FF74H	PWM modulo register 1	PWM1			-	-	○			
0FF7DH	One-shot pulse output control register	OSPC			○	○	-	00H		
0FF80H	I ² C bus control register	IICC			○	○	-			
0FF81H	Prescaler mode register for serial clock	SPRM			-	○	-		04H	
0FF82H	Synchronous serial interface mode register	CSIM			○	○	-		00H	

Notes 1. Applicable when the LOCATION 0 instruction is executed. When the LOCATION 0FH instruction is executed, F0000H is added to each address.

2. Some registers cannot read. Refer to the μPD78038, μPD784038Y Sub-Series User's Manual, **Hardware** for details.

Table 6-1. Special Function Registers (SFRs) (3/4)

Address ^{Note 1}	Special function register (SFR) name	Abbreviation	R/W	Manipulatable bits			When reset	
				1 bit	8 bits	16 bits		
0FF84H	Synchronous serial interface mode register 1	CSIM1	R/W	○	○	-	00H	
0FF85H	Synchronous serial interface mode register 2	CSIM2		○	○	-		
0FF86H	Serial shift register	SIO		-	○	-		
0FF88H	Asynchronous serial interface mode register	ASIM		○	○	-		
0FF89H	Asynchronous serial interface mode register 2	ASIM2		○	○	-		
0FF8AH	Asynchronous serial interface status register	ASIS	R	○	○	-	Undefined	
0FF8BH	Asynchronous serial interface status register 2	ASIS2		○	○	-		
0FF8CH	Serial receive buffer: UART0	RXB	W	-	○	-		
	Serial transmission shift register: UART0	TXS		-	○	-		
	Serial shift register: IOE1	SIO1		R/W	-	○		-
0FF8DH	Serial receive buffer: UART2	RXB2	R	-	○	-		
	Serial transmission shift register: UART2	TXS2	W	-	○	-		
	Serial shift register: IOE2	SIO2	R/W	-	○	-		
0FF90H	Baud rate generator control register	BRGC	R	-	○	-		00H
0FF91H	Baud rate generator control register 2	BRGC2		-	○	-		
0FFA0H	External interrupt mode register 0	INTM0		○	○	-		
0FFA1H	External interrupt mode register 1	INTM1		○	○	-		
0FFA4H	Sampling clock selection register	SCS0		-	○	-		
0FFA8H	In-service priority register	ISPR	R	○	○	-	80H	
0FFAAH	Interrupt mode control register	IMC	R/W	○	○	-		
0FFACH	Interrupt mask register 0L	MK0L		MK0	○	○		○
0FFADH	Interrupt mask register 0H	MK0H			○	○		
0FFAEH	Interrupt mask register 1L	MK1L		○	○	-		
0FFC0H	Standby control register	STBC		-	○ ^{Note 2}	-		
0FFC2H	Watchdog timer mode register	WDM		-	○ ^{Note 2}	-		
0FFC4H	Memory expansion mode register	MM		○	○	-		
0FFC5H	Hold mode register	HLDM		○	○	-		
0FFC6H	Clock output mode register	CLOM		○	○	-		
0FFC7H	Programmable wait control register 1	PWC1		-	○	-		
0FFC8H	Programmable wait control register 2	PWC2	-	-	○			

Notes 1. Applicable when the LOCATION 0 instruction is executed. When the LOCATION 0FH instruction is executed, F0000H is added to each address.

2. A write operation can be performed only with special instructions MOV STBC, #byte and MOV WDM,#byte. Other instructions cannot perform a write operation.

Table 6-1. Special Function Registers (SFRs) (4/4)

Address ^{Note}	Special function register (SFR) name	Abbreviation	R/W	Manipulatable bits			When reset
				1 bit	8 bits	16 bits	
0FFCCH	Refresh mode register	RFM	R/W	○	○	-	00H
0FFCDH	Refresh area specification register	RFA		○	○	-	
0FFCFH	Oscillation settling time specification register	OSTS		-	○	-	
0FFD0H- 0FFDFH	External SFR area	-		○	○	-	-
0FFE0H	Interrupt control register (INTP0)	PIC0		○	○	-	43H
0FFE1H	Interrupt control register (INTP1)	PIC1		○	○	-	
0FFE2H	Interrupt control register (INTP2)	PIC2		○	○	-	
0FFE3H	Interrupt control register (INTP3)	PIC3		○	○	-	
0FFE4H	Interrupt control register (INTC00)	CIC00		○	○	-	
0FFE5H	Interrupt control register (INTC01)	CIC01		○	○	-	
0FFE6H	Interrupt control register (INTC10)	CIC10		○	○	-	
0FFE7H	Interrupt control register (INTC11)	CIC11		○	○	-	
0FFE8H	Interrupt control register (INTC20)	CIC20		○	○	-	
0FFE9H	Interrupt control register (INTC21)	CIC21		○	○	-	
0FFEAH	Interrupt control register (INTC30)	CIC30		○	○	-	
0FFEBH	Interrupt control register (INTP4)	PIC4		○	○	-	
0FFECH	Interrupt control register (INTP5)	PIC5		○	○	-	
0FFEDH	Interrupt control register (INTAD)	ADIC		○	○	-	
0FFEEH	Interrupt control register (INTSER)	SERIC		○	○	-	
0FFEFH	Interrupt control register (INTSR)	SRIC		○	○	-	
	Interrupt control register (INTCSI1)	CSIC1		○	○	-	
0FFF0H	Interrupt control register (INTST)	STIC		○	○	-	
0FFF1H	Interrupt control register (INTCSI)	CSIC		○	○	-	
0FFF2H	Interrupt control register (INTSER2)	SERIC2		○	○	-	
0FFF3H	Interrupt control register (INTSR2)	SRIC2		○	○	-	
	Interrupt control register (INTCSI2)	CSIC2		○	○	-	
0FFF4H	Interrupt control register (INTST2)	STIC2		○	○	-	

Note Applicable when the LOCATION 0 instruction is executed. When the LOCATION 0FH instruction is executed, F000H is added to each address.

7.1 Ports

The ports shown in Figure 7-1 are provided to enable the application of wide-ranging control. Table 7-1 lists the functions of the ports. For the inputs to port 0 to port 6, a built-in pull-up resistor can be specified by software.

Figure 7-1. Port Configuration

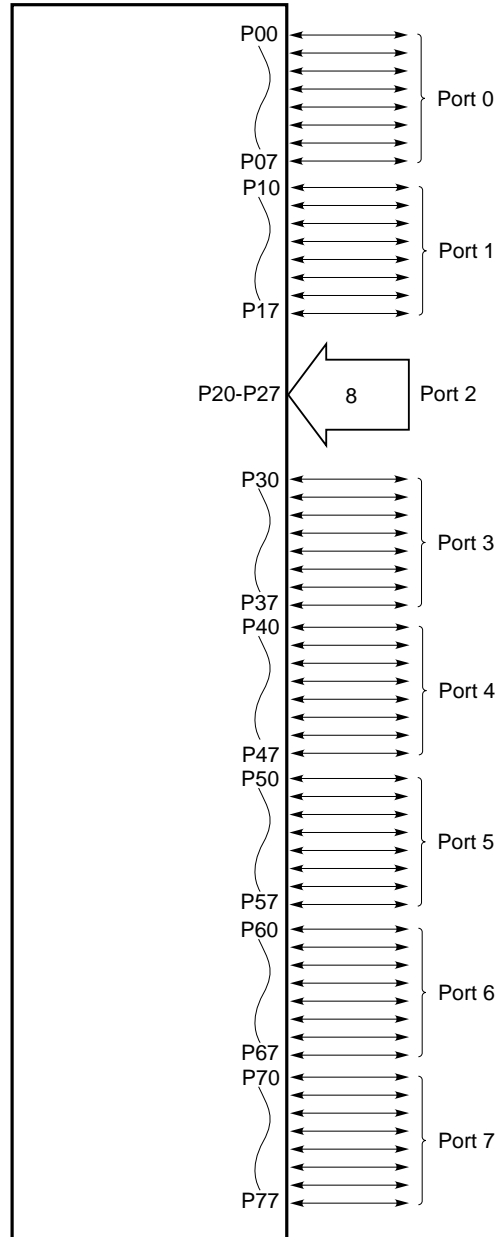


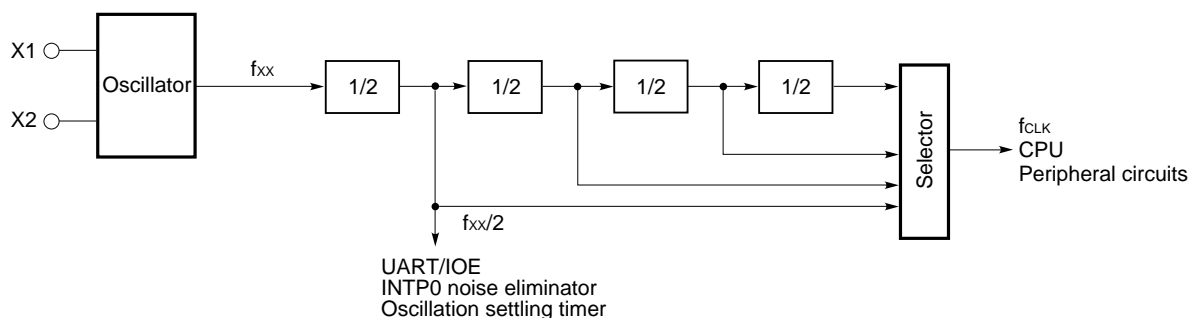
Table 7-1. Port Functions

Port name	Pin	Function	Pull-up specification by software
Port 0	P00-P07	<ul style="list-style-type: none"> • Bit-by-bit input/output setting supported • Operable as 4-bit real-time outputs (P00-P03, P04-P07) • Capable of driving transistors 	Specified as a batch for all pins placed in input mode.
Port 1	P10-P17	<ul style="list-style-type: none"> • Bit-by-bit input/output setting supported • Capable of driving LEDs 	Specified as a batch for all pins placed in input mode.
Port 2	P20-P27	• Input port	Specified for the 6 bits (P22-P27) as a batch.
Port 3	P30-P37	• Bit-by-bit input/output setting supported	Specified as a batch for all pins placed in input mode.
Port 4	P40-P47	<ul style="list-style-type: none"> • Bit-by-bit input/output setting supported • Capable of driving LEDs 	Specified as a batch for all pins placed in input mode.
Port 5	P50-P57	<ul style="list-style-type: none"> • Bit-by-bit input/output setting supported • Capable of driving LEDs 	Specified as a batch for all pins placed in input mode.
Port 6	P60-P67	• Bit-by-bit input/output setting supported	Specified as a batch for all pins placed in input mode.
Port 7	P70-P77	• Bit-by-bit input/output setting supported	-

7.2 Clock Generator

A circuit for generating the clock signal required for operation is provided. The clock generator includes a frequency divider; low current consumption can be achieved by operating at a lower internal frequency when high-speed operation is not necessary.

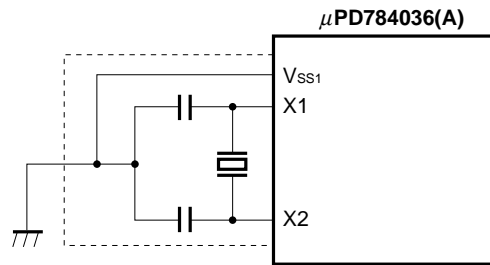
Figure 7-2. Block Diagram of Clock Generator



Remark f_{xx} : Oscillator frequency or external clock input
 f_{CLK} : Internal operating frequency

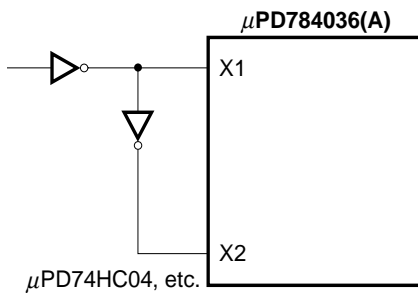
Figure 7-3. Examples of Using Oscillator

(1) Crystal/ceramic oscillation

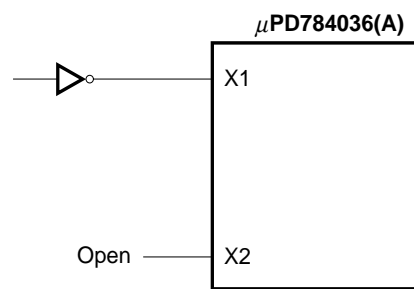


(2) External clock

- When EXTC bit of OSTS = 1



- When EXTC bit of OSTS = 0



Caution When using the clock generator, to avoid problems caused by influences such as stray capacitance, run all wiring within the area indicated by the dotted lines according to the following rules:

- Minimize the wiring length.
- Wires must never cross other signal lines.
- Wires must never run near a line carrying a large varying current.
- The grounding point of the capacitor of the oscillator must always be at the same potential as V_{SS1}. Never connect the capacitor to a ground pattern carrying a large current.
- Never extract a signal from the oscillator.

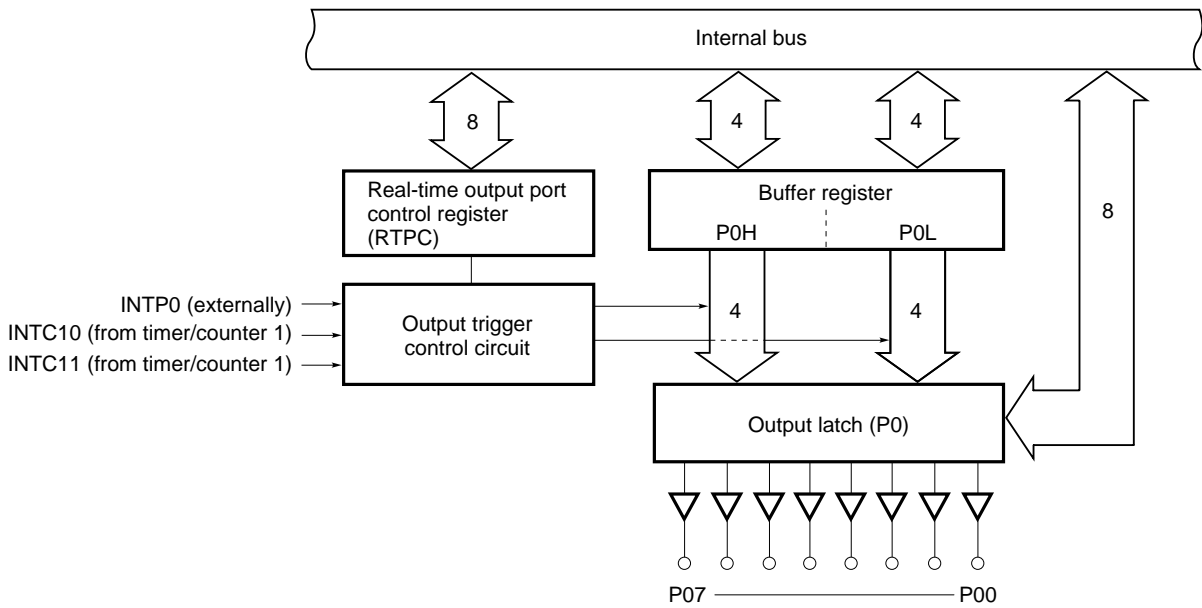
7.3 Real-Time Output Port

The real-time output port outputs data stored in the buffer, synchronized with a timer/counter 1 match interrupt or external interrupt. Thus, pulse output that is free of jitter can be obtained.

Therefore, the real-time output port is best suited to applications (such as open-loop control over stepping motors) where an arbitrary pattern is output at arbitrary intervals.

As shown in Figure 7-4, the real-time output port is built around port 0 and the port 0 buffer register (P0H, P0L).

Figure 7-4. Block Diagram of Real-Time Output Port



7.4 Timers/Counters

Three timer/counter units and one timer unit are incorporated.

Moreover, seven interrupt requests are supported, allowing these units to function as seven timer/counter units.

Table 7-2. Timer/Counter Operation

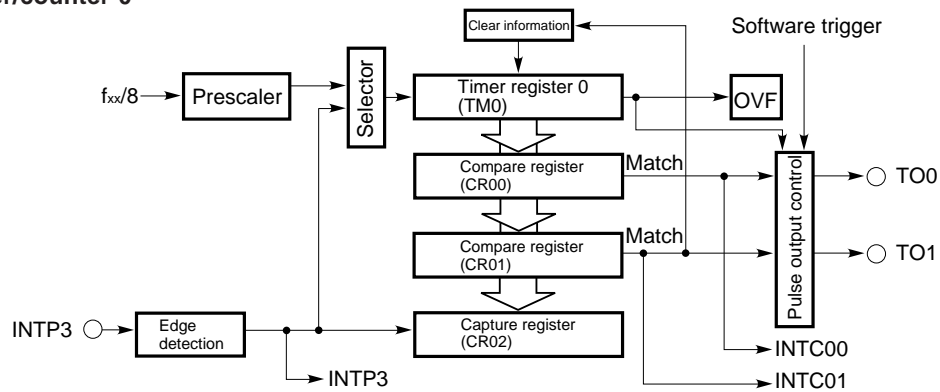
Item		Name		Timer/counter 0	Timer/counter 1	Timer/counter 2	Timer 3
Count pulse width	8 bits			-	○	○	○
	16 bits			○	○	○	○
Operating mode	Interval timer			2ch	2ch	2ch	1ch
	External event counter			○	○	○	-
	One-shot timer			-	-	○	-
Function	Timer output			2ch	-	2ch	-
	Toggle output			○	-	○	-
	PWM/PPG output			○	-	○	-
	One-shot pulse output ^{Note}			○	-	-	-
	Real-time output			-	○	-	-
	Pulse width measurement			1 input	1 input	2 inputs	-
	Number of interrupt requests			2	2	2	1

Note The one-shot pulse output function makes the level of a pulse output active by software, and makes the level of a pulse output inactive by hardware (interrupt request signal).

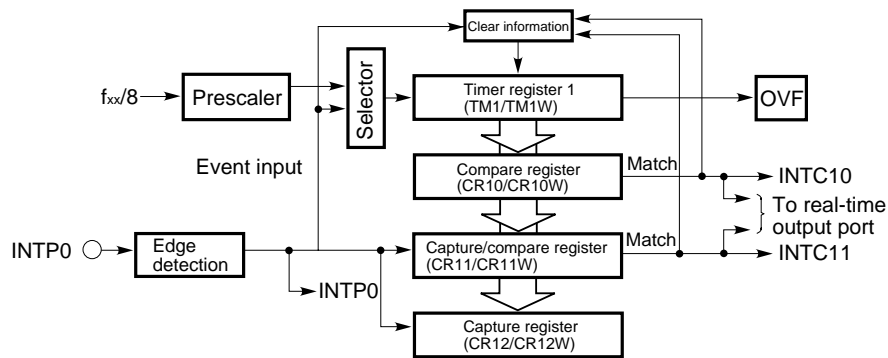
Note that this function differs from the one-shot timer function of timer/counter 2.

Figure 7-5. Timer/Counter Block Diagram

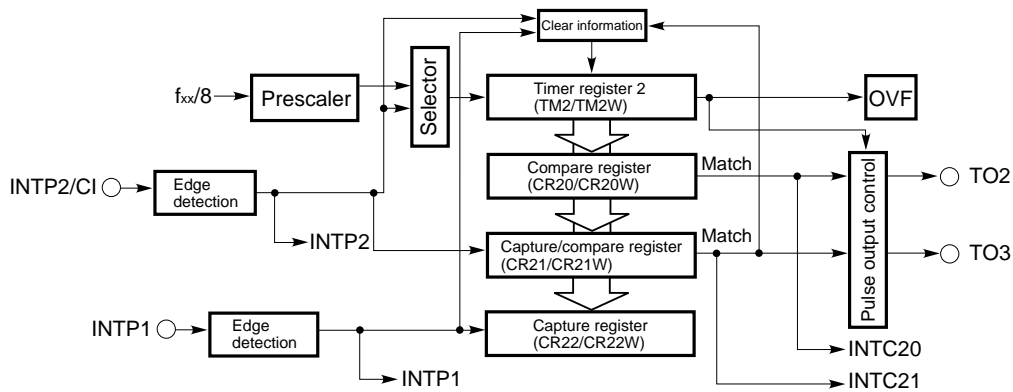
Timer/counter 0



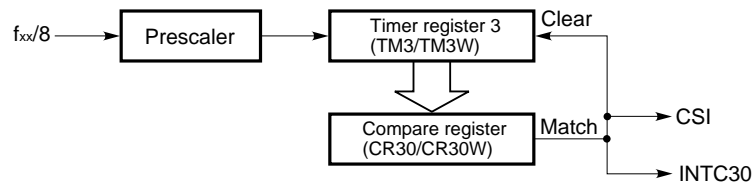
Timer/counter 1



Timer/counter 2



Timer 3

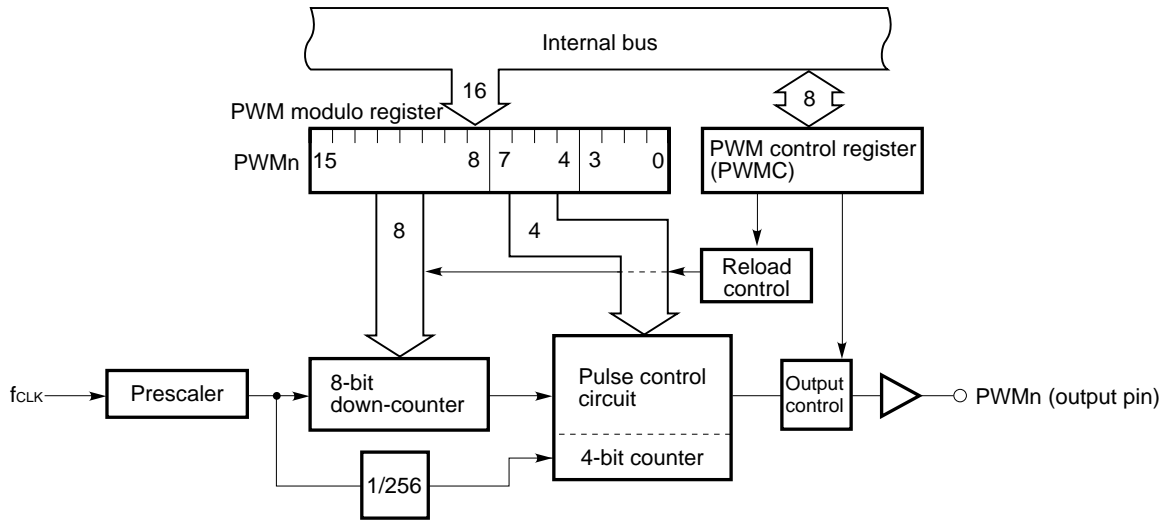


Remark OVF: Overflow flag

7.5 PWM Output (PWM0, PWM1)

Two channels of PWM (pulse width modulation) output circuitry with a resolution of 12 bits and a repetition frequency of 62.5 kHz ($f_{CLK} = 16 \text{ MHz}$) are incorporated. Low or high active level can be selected for the PWM output channels, independently of each other. This output is best suited to DC motor speed control.

Figure 7-6. Block Diagram of PWM Output Unit



Remark n = 0, 1

7.6 A/D Converter

An analog/digital (A/D) converter having 8 multiplexed analog inputs (ANI0-ANI7) is incorporated.

The successive approximation system is used for conversion. The result of conversion is held in the 8-bit A/D conversion result register (ADCR). Thus, speedy high-precision conversion can be achieved. (The conversion time is about 7.5 μs at f_{CLK} = 16 MHz.)

A/D conversion can be started in any of the following modes:

- Hardware start: Conversion is started by means of trigger input (INTP5).
- Software start : Conversion is started by means of bit setting the A/D converter mode register (ADM).

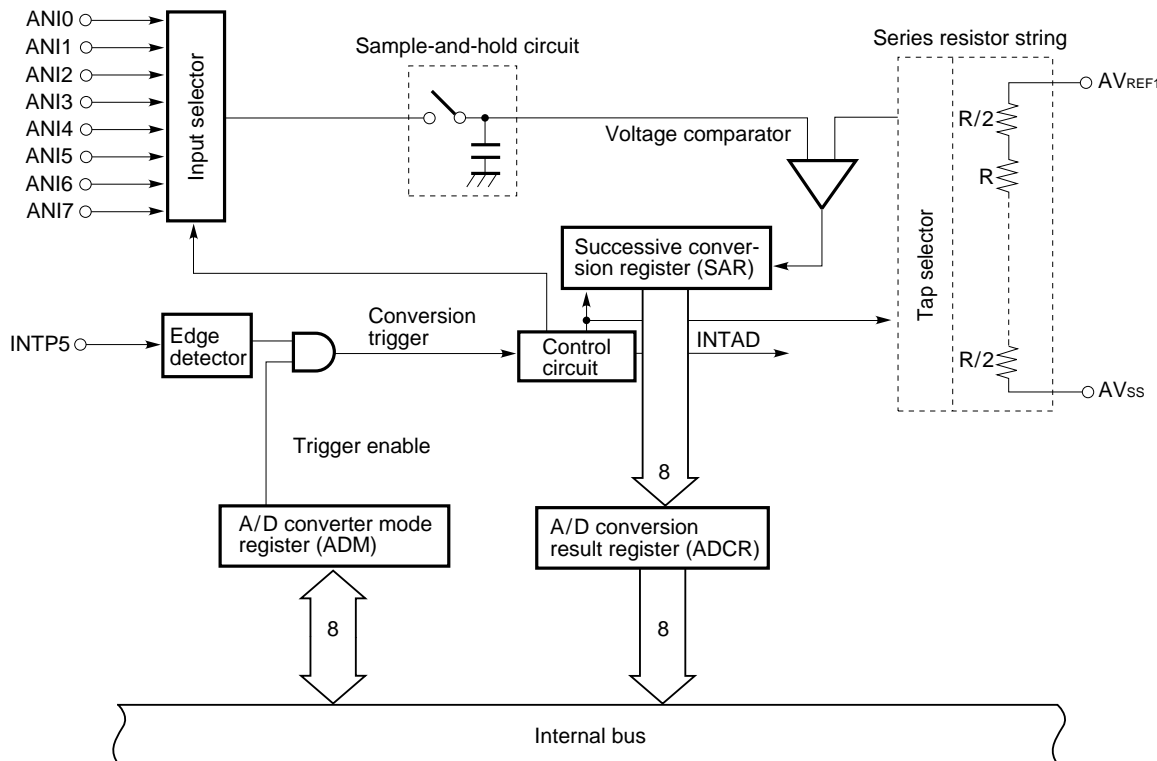
After conversion has started, one of the following modes can be selected:

- Scan mode : Multiple analog inputs are selected sequentially to obtain conversion data from all pins.
- Select mode: A single analog input is selected at all times to enable conversion data to be obtained continuously.

ADM is used to specify the above modes, as well as the termination of conversion.

When the result of conversion is transferred to ADCR, an interrupt request (INTAD) is generated. Using this feature, the results of conversion can be continuously transferred to memory by the macro service.

Figure 7-7. Block Diagram of A/D Converter



7.7 D/A Converter

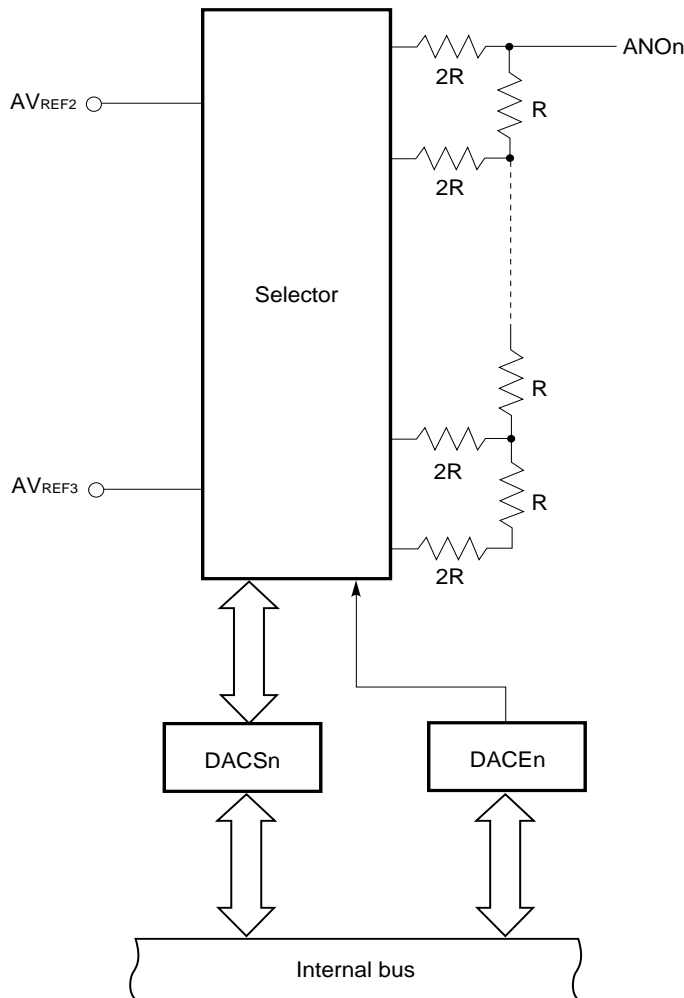
Two digital/analog (D/A) converter channels of voltage output type, having a resolution of 8 bits, are incorporated.

An R-2R resistor ladder system is used for conversion. By writing the value to be subject to D/A conversion in the 8-bit D/A conversion value setting register (DACSn: n = 0, 1), the resulting analog value is output on ANOn (n = 0, 1). The range of the output voltages is determined by the voltages applied to the AVREF2 and AVREF3 pins.

Because of its high output impedance, no current can be obtained from an output pin. When the load impedance is low, insert a buffer amplifier between the load and the converter.

The impedance of the ANOn pin goes high while the $\overline{\text{RESET}}$ signal is low. DACSn is set to 0 after a reset is released.

Figure 7-8. Block Diagram of D/A Converter



Remark n = 0, 1

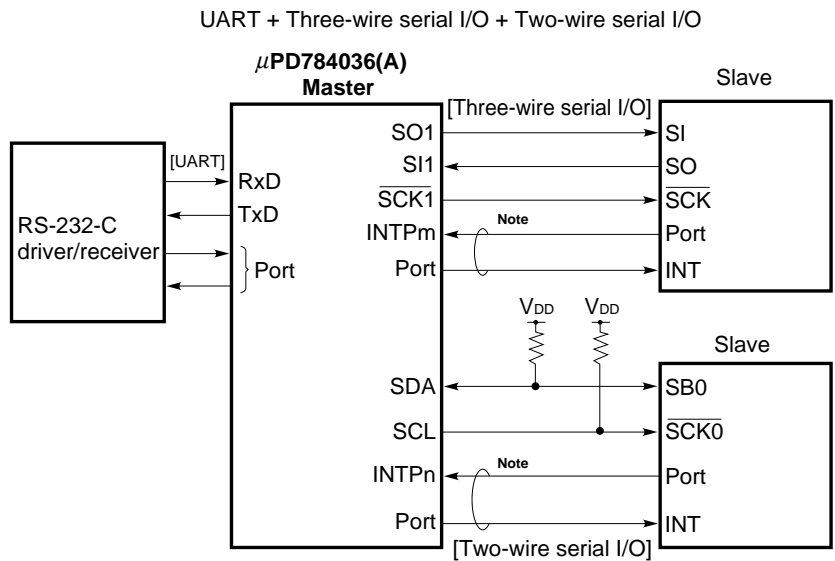
7.8 Serial Interface

Three independent serial interface channels are incorporated.

- Asynchronous serial interface (UART)/three-wire serial I/O (IOE) × 2
- Synchronous serial interface (CSI) × 1
 - Three-wire serial I/O (IOE)
 - Two-wire serial I/O (IOE)

So, communication with points external to the system and local communication within the system can be performed at the same time. (See Figure 7-9.)

Figure 7-9. Example Serial Interfaces



7.8.1 Asynchronous serial interface/three-wire serial I/O (UART/IOE)

Two serial interface channels are available; for each channel, asynchronous serial interface mode or three-wire serial I/O mode can be selected.

(1) Asynchronous serial interface mode

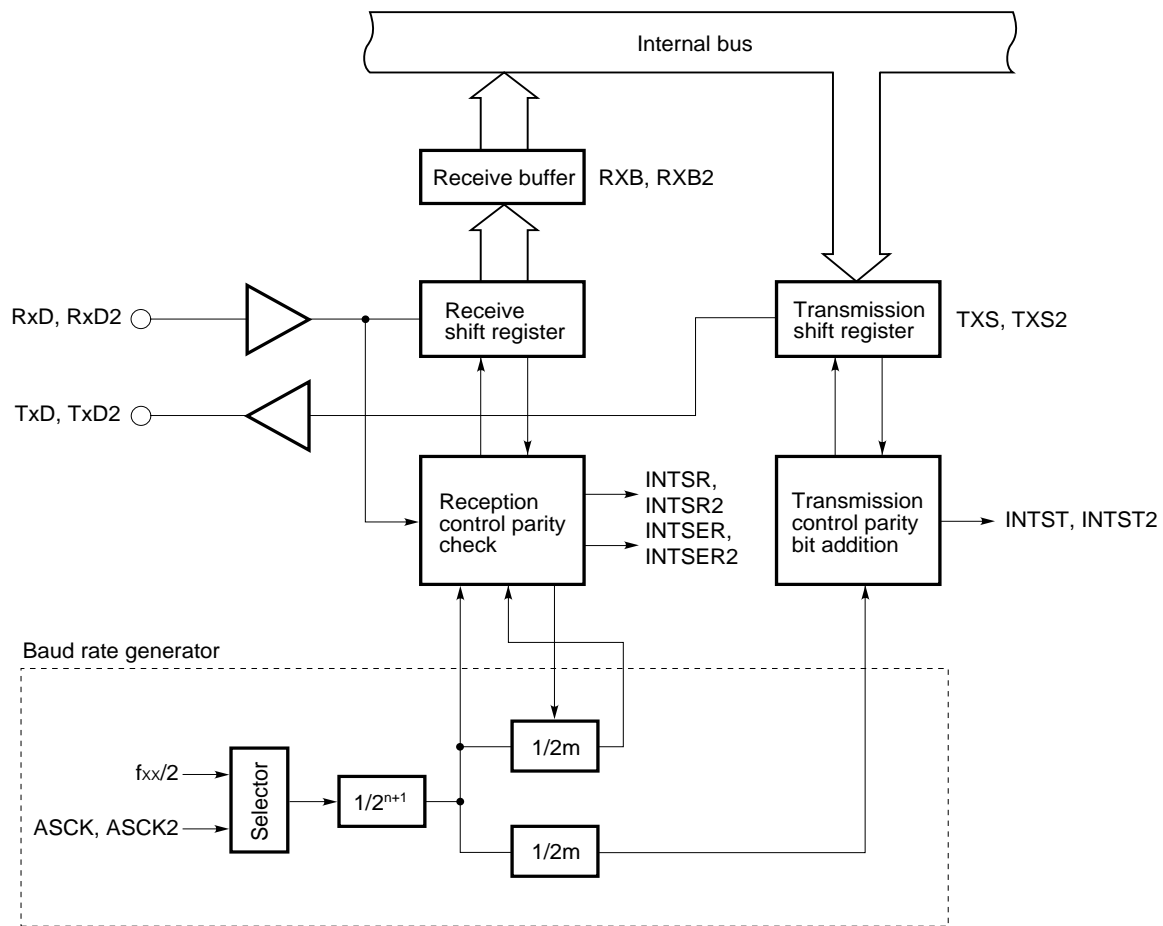
In this mode, 1-byte data is transferred after a start bit.

A baud rate generator is incorporated to enable communication at a wide range of baud rates.

Moreover, the frequency of a clock signal applied to the ASCK pin can be divided to define a baud rate.

With the baud rate generator, the baud rate conforming to the MIDI standard (31.25 kbps) can be obtained.

Figure 7-10. Block Diagram of Asynchronous Serial Interface Mode



Remark f_{xx} : Oscillator frequency or external clock input
 $n = 0$ to 11
 $m = 16$ to 30

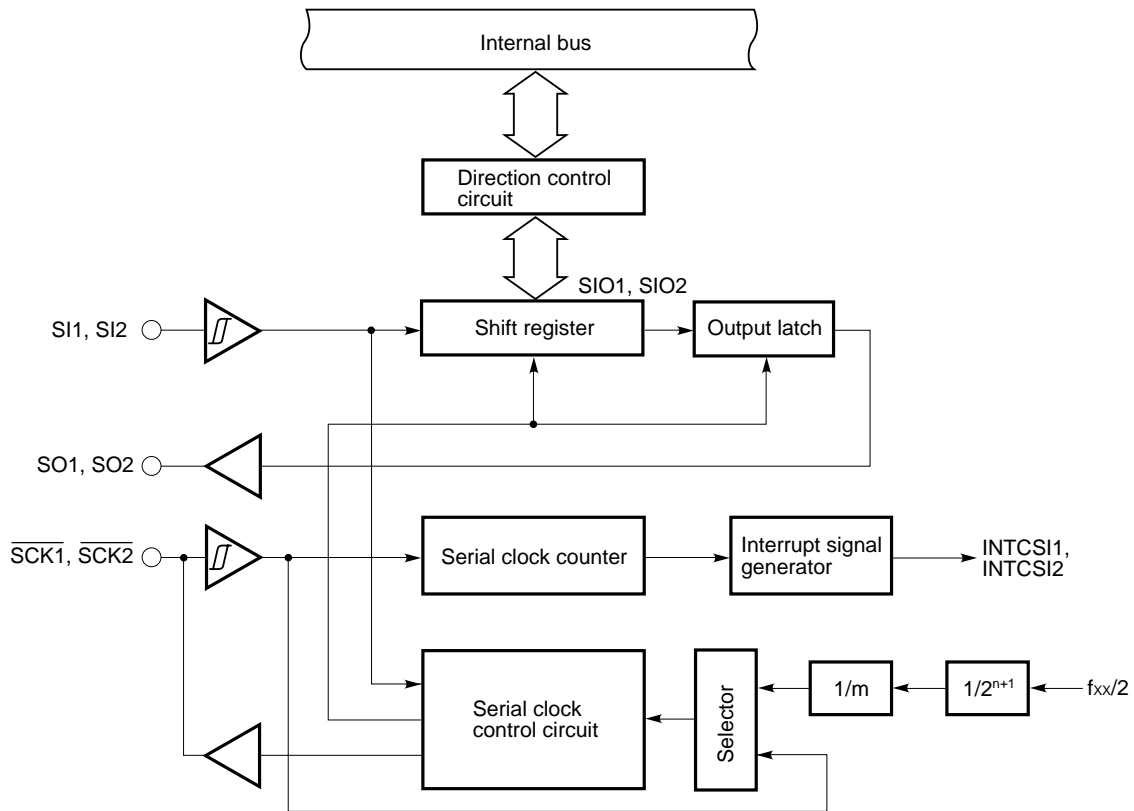
(2) Three-wire serial I/O mode

In this mode, the master device makes the serial clock active to start transmission, then transfers 1-byte data in phase with the clock.

This mode is designed for communication with a device incorporating a conventional synchronous serial interface. Basically, three lines are used for communication: the serial clock line (\overline{SCK}) and the two serial data lines (SI and SO).

In general, a handshake line is required to check the state of communication.

Figure 7-11. Block Diagram of Three-Wire Serial I/O Mode



Remark f_{xx} : Oscillator frequency or external clock input

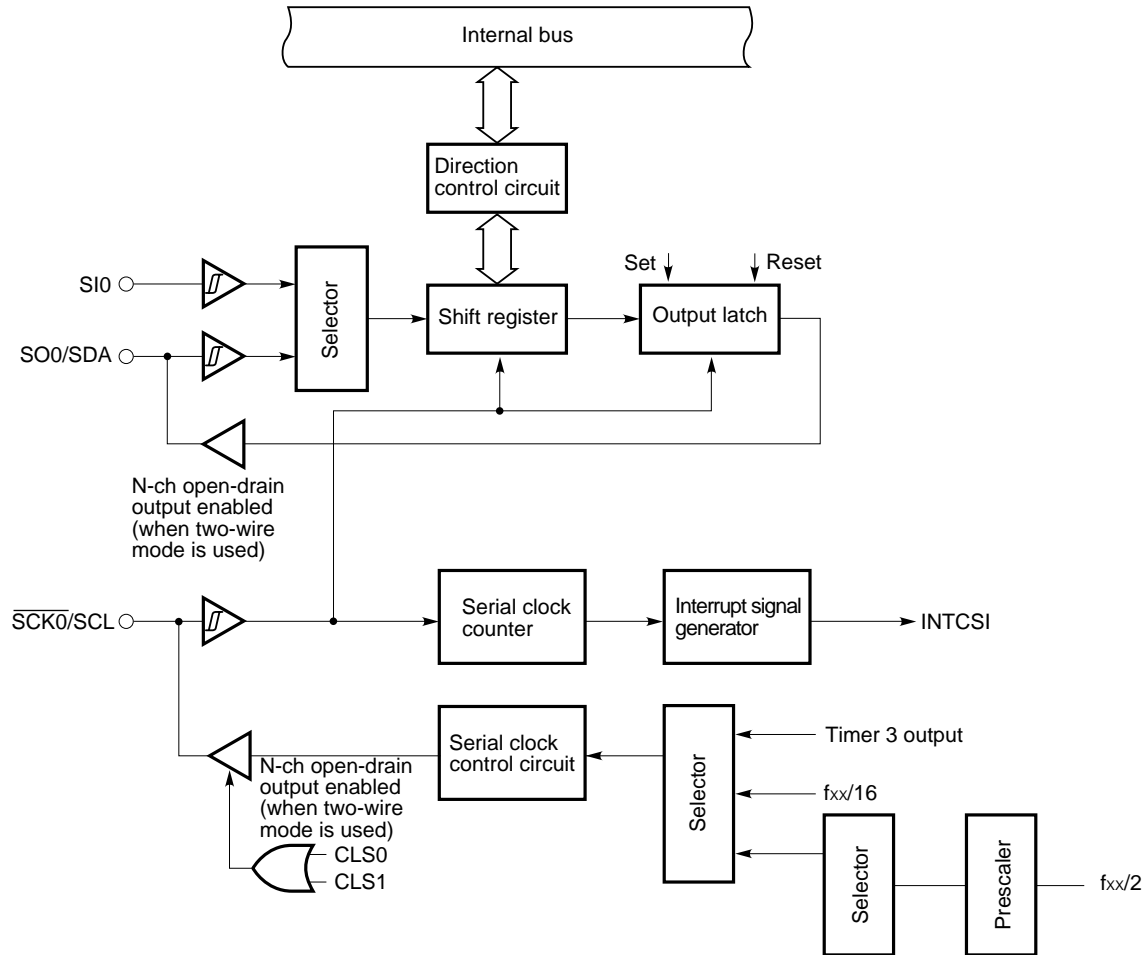
$n = 0$ to 11

$m = 1, 16$ to 30

7.8.2 Synchronous serial interface (CSI)

With this interface, the master device makes the serial clock active to start transmission, then transfers 1-byte data in phase with the clock.

Figure 7-12. Block Diagram of Synchronous Serial Interface



Remark f_{xx}: Oscillator frequency or external clock input

(1) Three-wire serial I/O mode

This mode is designed for communication with a device incorporating a conventional synchronous serial interface. Basically, three lines are used for communication: the serial clock line ($\overline{\text{SCK0}}$) and serial data lines (SI0 and SO0). In general, a handshake line is required to check the state of communication.

(2) Two-wire serial I/O mode

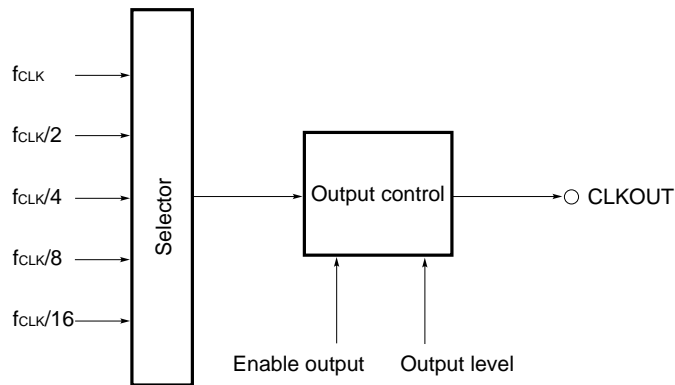
In this mode, 8-bit data is transferred using two lines: the serial clock line (SCL) and serial data bus (SDA). In general, a handshake line is required to check the communication state.

7.9 Clock Output Function

The frequency of the CPU clock signal can be divided for output to a point external to the system. Moreover, the port can be used as a 1-bit port.

The ASTB pin is also used for the CLKOUT pin, so that when this function is used, the local bus interface cannot be used.

Figure 7-13. Block Diagram of Clock Output Function



7.10 Edge Detection Function

The interrupt input pins (NMI, INTP0-INTP5) are used to apply not only interrupt requests but also trigger signals for the built-in circuits. As these pins are triggered by an edge (rising or falling) of an input signal, a function for edge detection is incorporated. Moreover, a noise suppression function is provided to prevent erroneous edge detection caused by noise.

Table 7-3. Noise Suppression Method for Interrupt Input Pins

Pin	Detectable edge	Noise suppression method
NMI	Rising edge or falling edge	Analog delay
INTP0-INTP3	Rising edge or falling edge, or both edges	Clock sampling ^{Note}
INTP4, INTP5		Analog delay

Note INTP0 is used for sampling clock selection.

7.11 Watchdog Timer

A watchdog timer is incorporated for CPU runaway detection. The watchdog timer, if not cleared by software within a specified interval, generates a nonmaskable interrupt. Furthermore, once watchdog timer operation is enabled, it cannot be disabled by software. The user can specify whether priority is placed on an interrupt based on the watchdog timer or on an interrupt based on the NMI pin.

Figure 7-14. Block Diagram of Watchdog Timer

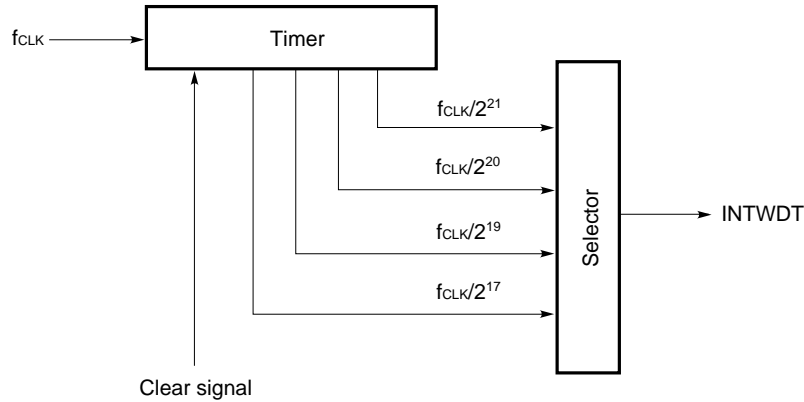


Table 8-1 lists the interrupt request handling modes. These modes are selected by software.

Table 8-1. Interrupt Request Handling Modes

Handling mode	Handled by	Handling	PC and PSW contents
Vectored interrupt	Software	Branches to a handling routine for execution (arbitrary handling).	The PC and PSW contents are pushed to and popped from the stack.
Context switching		Automatically selects a register bank, and branches to a handling routine for execution (arbitrary handling).	The PC and PSW contents are saved to and read from a fixed area in the register bank.
Macro service	Firmware	Performs operations such as memory-to-I/O-device data transfer (fixed handling).	Maintained

8.1 Interrupt Source

An interrupt can be issued from any one of the interrupt sources listed in Table 8-2: execution of BRK and BRKCS instructions, an operand error, or any of the 23 other interrupt sources.

Four levels of interrupt handling priority can be set. Priority levels can be set to nest control during interrupt handling or to concurrently generate interrupt requests. Nested macro services, however, are performed without suspension.

When interrupt requests having the same priority level are generated, they are handled according to the default priority (fixed). (See **Table 8-2**.)

Table 8-2. Interrupt Sources

Type	Default priority	Source		Internal/external	Macro service		
		Name	Trigger				
Software	-	BRK instruction	Instruction execution	-	-		
		BRKCS instruction					
		Operand error	When the MOV STBC,#byte, MOV WDM,#byte, or LOCATION instruction is executed, exclusive OR of the byte operand and byte does not produce FFH.				
Nonmaskable	-	NMI	Detection of edge input on the pin	External	-		
		WDT	Watchdog timer overflow	Internal			
Maskable	0 (highest)	INTP0	Detection of edge input on the pin (TM1/TM1W capture trigger, TM1/TM1W event counter input)	External	Enabled		
	1	INTP1	Detection of edge input on the pin (TM2/TM2W capture trigger, TM2/TM2W event counter input)				
	2	INTP2	Detection of edge input on the pin (TM2/TM2W capture trigger, TM2/TM2W event counter input)			Internal	Enabled
	3	INTP3	Detection of edge input on the pin (TM0 capture trigger, TM0 event counter input)				
	4	INTC00	TM0-CR00 match signal issued				
	5	INTC01	TM0-CR01 match signal issued				
	6	INTC10	TM1-CR10 match signal issued (in 8-bit operation mode) TM1W-CR10W match signal issued (in 16-bit operation mode)				
	7	INTC11	TM1-CR11 match signal issued (in 8-bit operation mode) TM1W-CR11W match signal issued (in 16-bit operation mode)				
	8	INTC20	TM2-CR20 match signal issued (in 8-bit operation mode) TM2W-CR20W match signal issued (in 16-bit operation mode)				
	9	INTC21	TM2-CR21 match signal issued (in 8-bit operation mode) TM2W-CR21W match signal issued (in 16-bit operation mode)				
	10	INTC30	TM3-CR30 match signal issued (in 8-bit operation mode) TM3W-CR30W match signal issued (in 16-bit operation mode)				
	11	INTP4	Detection of edge input on the pin	External	Enabled		
	12	INTP5	Detection of edge input on the pin				
	13	INTAD	A/D converter processing completed (ADCR transfer)	Internal	Enabled		
	14	INTSER	ASI0 reception error		-		
	15	INTSR	ASI0 reception completed or CSI1 transfer completed		Enabled		
		INTCSI1					
	16	INTST	ASI0 transmission completed		Enabled		
	17	INTCSI	CSI0 transfer completed				
	18	INTSER2	ASI2 reception error		-		
19	INTSR2	ASI2 reception completed or CSI2 transfer completed	Enabled				
	INTCSI2						
20 (lowest)	INTST2	ASI2 transmission completed					

Remark ASI: Asynchronous serial interface
 CSI: Synchronous serial interface

8.2 Vectored Interrupt

When a branch to an interrupt handling routine occurs, the vector table address corresponding to the interrupt source is used as the branch address.

Interrupt handling by the CPU consists of the following operations:

- When a branch occurs : Push the CPU status (PC and PSW contents) to the stack.
- When control is returned: Pop the CPU status (PC and PSW contents) from the stack.

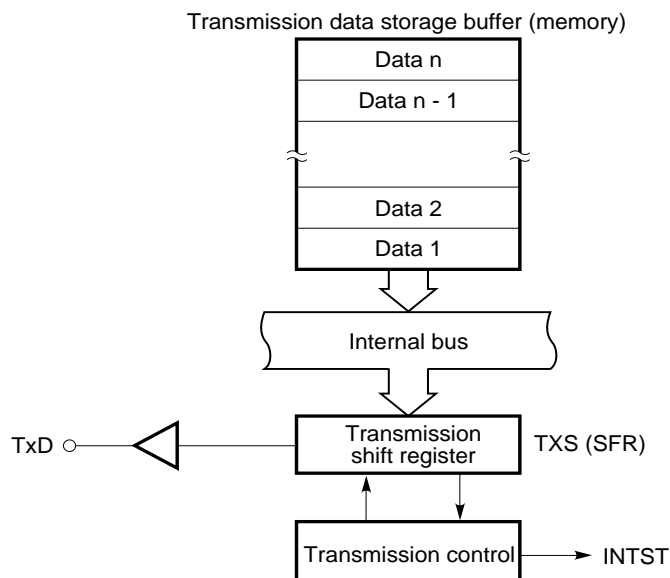
To return control from the handling routine to the main routine, use the RETI instruction. The branch destination addresses must be within the range of 0 to FFFFH.

Table 8-3. Vector Table Address

Interrupt source	Vector table address
BRK instruction	003EH
Operand error	003CH
NMI	0002H
WDT	0004H
INTP0	0006H
INTP1	0008H
INTP2	000AH
INTP3	000CH
INTC00	000EH
INTC01	0010H
INTC10	0012H
INTC11	0014H
INTC20	0016H
INTC21	0018H
INTC30	001AH
INTP4	001CH
INTP5	001EH
INTAD	0020H
INTSER	0022H
INTSR	0024H
INTCS11	
INTST	0026H
INTCSI	0028H
INTSER2	002AH
INTSR2	002CH
INTCSI2	
INTST2	002EH

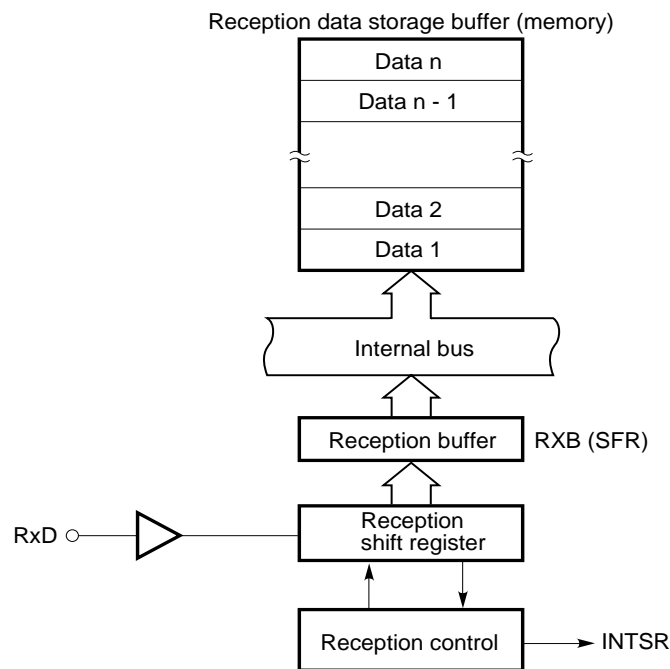
8.5 Examples of Macro Service Applications

(1) Serial interface transmission



Each time a macro service request (INTST) is generated, the next transmission data is transferred from memory to TXS. When data n (last byte) has been transferred to TXS (that is, once the transmission data storage buffer becomes empty), a vectored interrupt request (INTST) is generated.

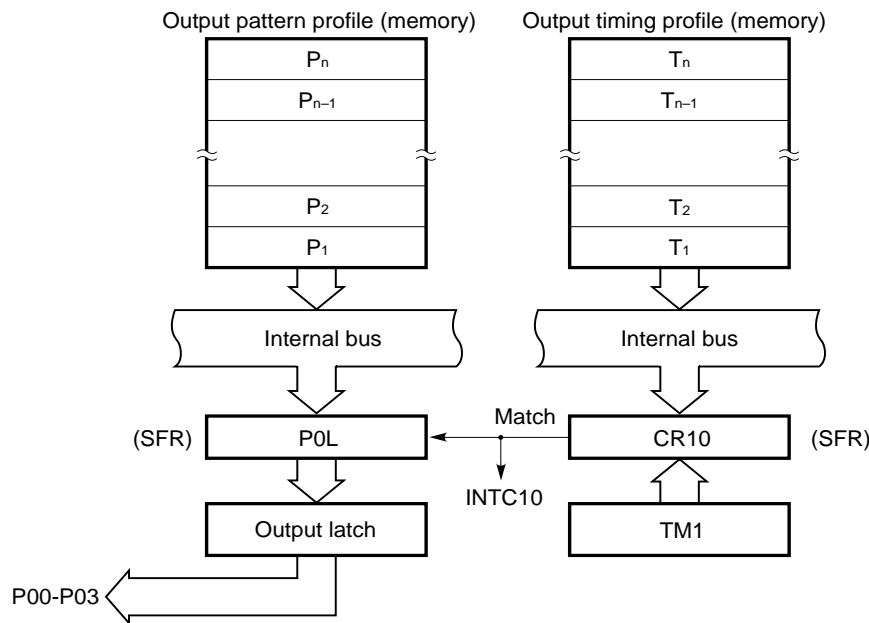
(2) Serial interface reception



Each time a macro service request (INTSR) is generated, reception data is transferred from RXB to memory. When data n (last byte) has been transferred to memory (that is, once the reception data storage buffer becomes full), a vectored interrupt request (INTSR) is generated.

(3) Real-time output port

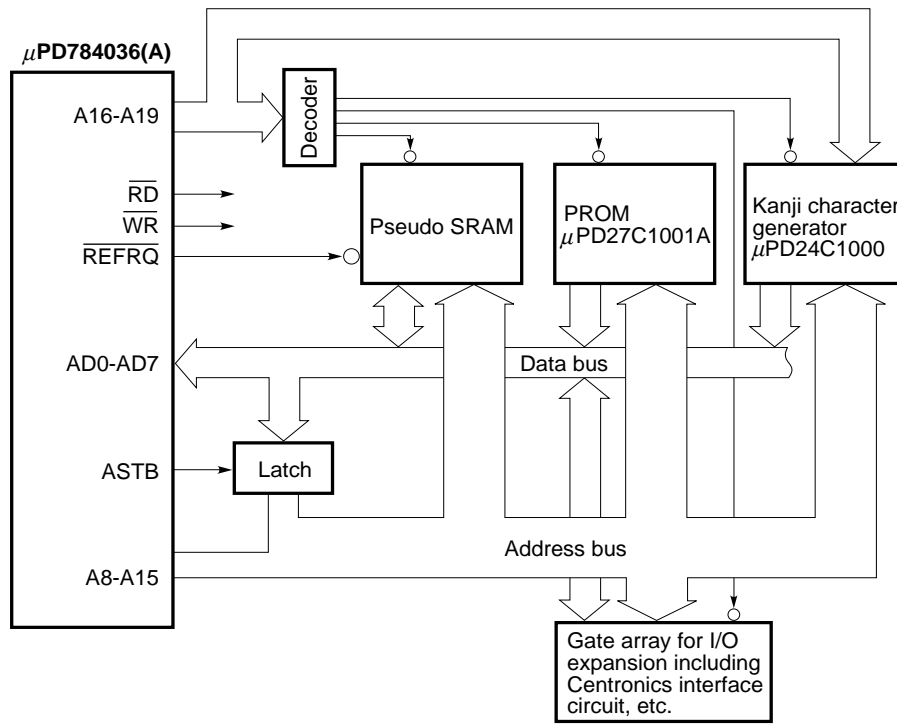
INTC10 and INTC11 function as the output triggers for the real-time output ports. For these triggers, the macro service can simultaneously set the next output pattern and interval. Therefore, INTC10 and INTC11 can be used to independently control two stepping motors. They can also be applied to PWM and DC motor control.



Each time a macro service request (INTC10) is generated, a pattern and timing data are transferred to the buffer register (P0L) and compare register (CR10), respectively. When the contents of timer register 1 (TM1) and CR10 match, another INTC10 is generated, and the P0L contents are transferred to the output latch. When T_n (last byte) is transferred to CR10, a vectored interrupt request (INTC10) is generated. For INTC11, the same operation as that performed for INTC10 is performed.

The local bus interface enables the connection of external memory and I/O devices (memory-mapped I/O). It supports a 1M-byte memory space. (See Figure 9-1.)

Figure 9-1. Example of Local Bus Interface



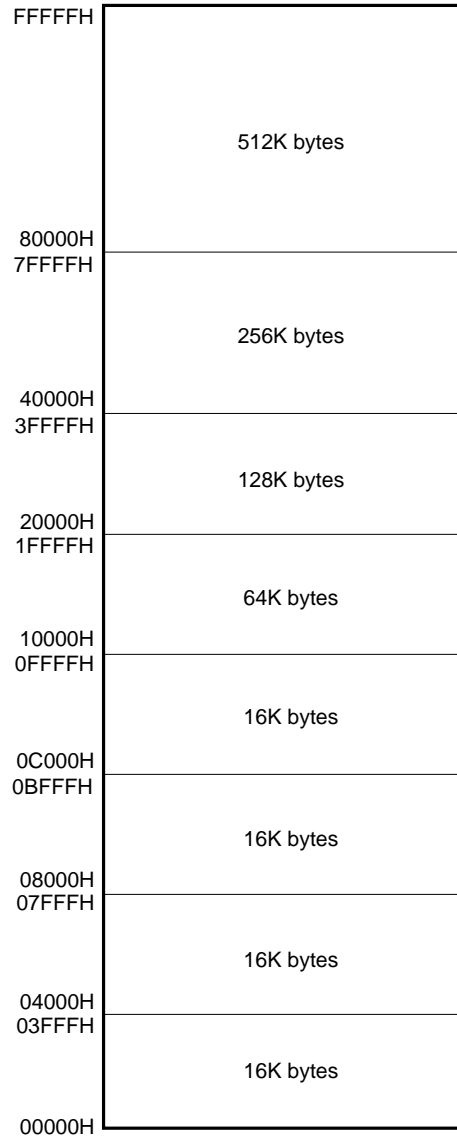
9.1 Memory Expansion

By adding external memory, program memory or data memory can be expanded to one of seven sizes between 256 bytes and approximately 1M byte.

9.2 Memory Space

The 1M-byte memory space is divided into eight spaces, each having a logical address. Each of these spaces can be controlled using the programmable wait and pseudo-static RAM refresh functions.

Figure 9-2. Memory Space



9.3 Programmable Wait

When the memory space is divided into eight spaces, a wait state can be separately inserted for each memory space while the \overline{RD} or \overline{WR} signal is active. This prevents the overall system efficiency from being degraded even when memory devices having different access times are connected.

In addition, an address wait function that extends the ASTB signal active period is provided to assure a longer address decode time. (This function is set for the entire space.)

9.4 Pseudo-Static RAM Refresh Function

Refresh is performed as follows:

- Pulse refresh

A bus cycle is inserted where a refresh pulse is output on the \overline{REFRQ} pin at regular intervals. When the memory space is divided into eight, and a specified area is being accessed, refresh pulses can also be output on the \overline{REFRQ} pin as the memory is being accessed. This can prevent the refresh cycle from suspending normal memory access.

- Power-down self-refresh

In standby mode, a low-level signal is output on the \overline{REFRQ} pin to maintain the contents of pseudo-static RAM.

9.5 Bus Hold Function

A bus hold function is provided to facilitate connection to devices such as a DMA controller. Suppose that a bus hold request signal (HLDRQ) is received from an external bus master. In this case, upon the completion of the bus cycle being performed at the reception, the address bus, address/data bus, ASTB, \overline{RD} , and \overline{WR} pins are placed in the high-impedance state, and the bus hold acknowledge signal (HLDAK) is made active to release the bus for the external bus master.

While the bus hold function is being used, the external wait and pseudo-static RAM refresh functions are disabled.

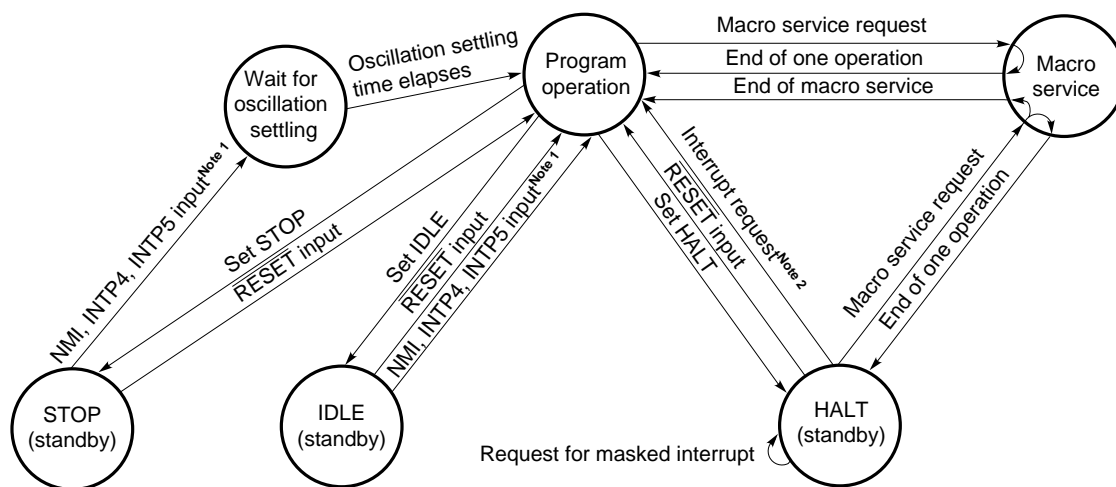
The standby function allows the power consumption of the chip to be reduced. The following standby modes are supported:

- HALT mode : The CPU operation clock is stopped. By occasionally inserting the HALT mode during normal operation, the overall average power consumption can be reduced.
- IDLE mode : The entire system is stopped, with the exception of the oscillator. This mode consumes only very little more power than STOP mode, but normal program operation can be restored in almost as little time as that required to restore normal program operation from HALT mode.
- STOP mode : The oscillator is stopped. All operations in the chip stop, such that only leakage current flows.

These modes can be selected by software.

A macro service can be initiated in HALT mode.

Figure 10-1. Standby Mode Status Transition



- Notes**
1. INTP4 and INTP5 are applied when not masked.
 2. Only when the interrupt request is not masked

Remark NMI is enabled only by external input. The watchdog timer cannot be used to release one of the standby modes (STOP, HALT, or IDLE mode).

Applying a low-level signal to the $\overline{\text{RESET}}$ pin initializes the internal hardware (reset status).

When the $\overline{\text{RESET}}$ input makes a low-to-high transition, the following data is loaded into the program counter (PC):

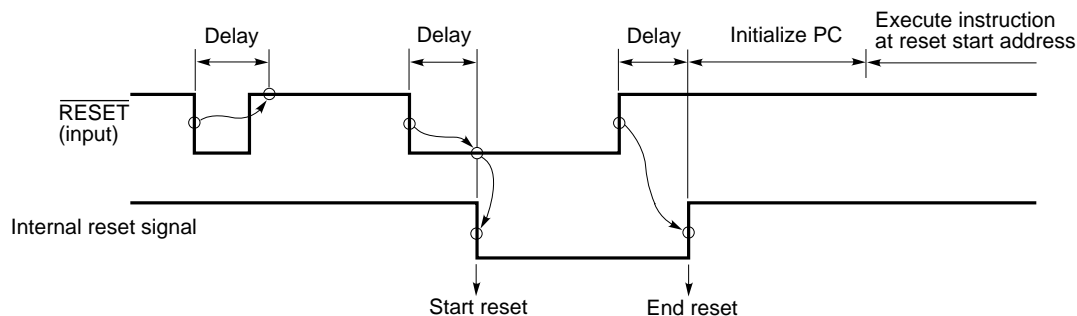
- Eight low-order bits of the PC : Contents of location at address 0000H
- Intermediate eight bits of the PC : Contents of location at address 0001H
- Four high-order bits of the PC : 0

The PC contents are used as a branch destination address. Program execution starts from that address. Therefore, a reset start can be performed from an arbitrary address.

The contents of each register can be set by software, as required.

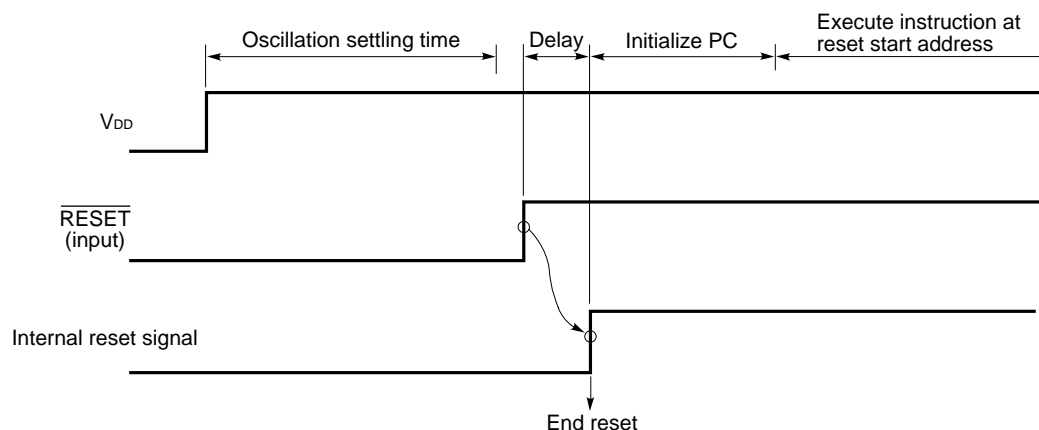
The $\overline{\text{RESET}}$ input circuit contains a noise eliminator to prevent malfunctions caused by noise. This noise eliminator is an analog delay sampling circuit.

Figure 11-1. Accepting a Reset



For power-on reset, the $\overline{\text{RESET}}$ signal must be held active until the oscillation settling time (approximately 40 ms) has elapsed.

Figure 11-2. Power-On Reset



(1) 8-bit instructions (The instructions enclosed in parentheses are implemented by a combination of operands, where A is described as r.)

MOV, XCH, ADD, ADDC, SUB, SUBC, AND, OR, XOR, CMP, MULU, DIVUW, INC, DEC, ROR, ROL, RORC, ROLC, SHR, SHL, ROR4, ROL4, DBNZ, PUSH, POP, MOVW, XCHM, CMPME, CMPMNE, CMPMNC, CMPMC, MOVBK, XCHBK, CMPBKE, CMPBKNE, CMPBKNC, CMPBKC, CHKL, CHKLA

Table 12-1. Instructions Implemented by 8-Bit Addressing

2nd operand 1st operand	#byte	A	r r'	saddr saddr'	sfr	!addr16 !!addr24	mem [saddrp] [%saddrg]	r3 PSWL PSWH	[WHL+] [WHL-]	n	NoneNote 2
A	(MOV) ADDNote 1	(MOV) (XCH) (ADD)Note 1	MOV XCH (ADD)Note 1	(MOV)Note 6 (XCH)Note 6 (ADD)Notes 1, 6	MOV (XCH) (ADD)Note 1	(MOV) (XCH) ADDNote 1	MOV XCH ADDNote 1	MOV	(MOV) (XCH) (ADD)Note 1		
r	MOV ADDNote 1	(MOV) (XCH) (ADD)Note 1	MOV XCH ADDNote 1	MOV XCH ADDNote 1	MOV XCH ADDNote 1	MOV XCH				RORNote 3	MULU DIVUW INC DEC
saddr	MOV ADDNote 1	(MOV)Note 6 (ADD)Note 1	MOV ADDNote 1	MOV XCH ADDNote 1							INC DEC DBNZ
sfr	MOV ADDNote 1	MOV (ADD)Note 1	MOV ADDNote 1								PUSH POP CHKL CHKLA
!addr16 !!addr24	MOV	(MOV) ADDNote 1	MOV								
mem [saddrp] [%saddrg]		MOV ADDNote 1									
mem3											ROR4 ROL4
r3 PSWL PSWH	MOV	MOV									
B, C											DBNZ
STBC, WDM	MOV										
[TDE+] [TDE-]		(MOV) (ADD)Note 1 MOVWNote 4							MOVBKNote 5		

- Notes**
1. ADDC, SUB, SUBC, AND, OR, XOR, and CMP are the same as ADD.
 2. There is no second operand, or the second operand is not an operand address.
 3. ROL, RORC, ROLC, SHR, and SHL are the same as ROR.
 4. XCHM, CMPME, CMPMNE, CMPMNC, and CMPMC are the same as MOVW.
 5. XCHBK, CMPBKE, CMPBKNE, CMPBKNC, and CMPBKC are the same as MOVBK.
 6. When saddr is saddr2 with this combination, an instruction with a short code exists.

(2) 16-bit instructions (The instructions enclosed in parentheses are implemented by a combination of operands, where AX is described as rp.)

MOVW, XCHW, ADDW, SUBW, CMPW, MULW, MULW, DIVUX, INCW, DECW, SHRW, SHLW, PUSH, POP, ADDWG, SUBWG, PUSHU, POPU, MOVTBLW, MACW, MACSW, SACW

Table 12-2. Instructions Implemented by 16-Bit Addressing

2nd operand 1st operand	#word	AX	rp rp'	saddrp saddrp'	strp	!addr16 !!addr24	mem [saddrp] [%saddrg]	[WHL+]	byte	n	None ^{Note 2}
AX	(MOVW) ADDW ^{Note 1}	(MOVW) (XCHW) (ADD) ^{Note 1}	(MOVW) (XCHW) (ADDW) ^{Note 1}	(MOVW) ^{Note 3} (XCHW) ^{Note 3} (ADDW) ^{Notes 1,3}	MOVW (XCHW) (ADDW) ^{Note 1}	(MOVW) XCHW	MOVW XCHW	(MOVW) (XCHW)			
rp	MOVW ADDW ^{Note 1}	(MOVW) (XCHW) (ADDW) ^{Note 1}	MOVW XCHW ADDW ^{Note 1}	MOVW XCHW ADDW ^{Note 1}	MOVW XCHW ADDW ^{Note 1}	MOVW				SHRW SHLW	MULW ^{Note 4} INCW DECW
saddrp	MOVW ADDW ^{Note 1}	(MOVW) ^{Note 3} (ADDW) ^{Note 1}	MOVW ADDW ^{Note 1}	MOVW XCHW ADDW ^{Note 1}							INCW DECW
sfrp	MOVW ADDW ^{Note 1}	MOVW (ADDW) ^{Note 1}	MOVW ADDW ^{Note 1}								PUSH POP
!addr16 !!addr24	MOVW	(MOVW)	MOVW						MOVTBLW		
mem [saddrp] [%saddrg]		MOVW									
PSW											PUSH POP
SP	ADDWG SUBWG										
post											PUSH POP PUSHU POPU
[TDE+]		(MOVW)						SACW			
byte											MACW MACSW

- Notes**
1. SUBW and CMPW are the same as ADDW.
 2. There is no second operand, or the second operand is not an operand address.
 3. When saddrp is saddrp2 with this combination, an instruction with a short code exists.
 4. MULW and DIVUX are the same as MULW.

(3) 24-bit instructions (The instructions enclosed in parentheses are implemented by a combination of operands, where WHL is described as rg.)

MOVG, ADDG, SUBG, INCG, DECG, PUSH, POP

Table 12-3. Instructions Implemented by 24-Bit Addressing

2nd operand 1st operand	#imm24	WHL	rg rg'	saddrg	!!addr24	mem1	[%saddrg]	SP	NoneNote
WHL	(MOVG) (ADDG) (SUBG)	(MOVG) (ADDG) (SUBG)	(MOVG) (ADDG) (SUBG)	(MOVG) ADDG SUBG	(MOVG)	MOVG	MOVG	MOVG	
rg	MOVG ADDG SUBG	(MOVG) (ADDG) (SUBG)	MOVG ADDG SUBG	MOVG	MOVG				INCG DECG PUSH POP
saddrg		(MOVG)	MOVG						
!!addr24		(MOVG)	MOVG						
mem1		MOVG							
[%saddrg]		MOVG							
SP	MOVG	MOVG							INCG DECG

Note There is no second operand, or the second operand is not an operand address.

(4) Bit manipulation instructions

MOV1, AND1, OR1, XOR1, SET1, CLR1, NOT1, BT, BF, BTCLR, BFSET

Table 12-4. Bit Manipulation Instructions Implemented by Addressing

2nd operand \ 1st operand	CY	saddr.bit sfr.bit A.bit X.bit PSWL.bit PSWH.bit mem2.bit !addr16.bit !!addr24.bit	/saddr.bit /sfr.bit /A.bit /X.bit /PSWL.bit /PSWH.bit /mem2.bit /!addr16.bit /!!addr24.bit	None ^{Note}
CY		MOV1 AND1 OR1 XOR1	AND1 OR1	NOT1 SET1 CLR1
saddr.bit sfr.bit A.bit X.bit PSWL.bit PSWH.bit mem2.bit !addr16.bit !!addr24.bit	MOV1			NOT1 SET1 CLR1 BF BT BTCLR BFSET

Note There is no second operand, or the second operand is not an operand address.

(5) Call/return instructions and branch instructions

CALL, CALLF, CALLT, BRK, RET, RETI, RETB, RETCS, RETCSB, BRKCS, BR, BNZ, BNE, BZ, BE, BNC, BNL, BC, BL, BNV, BPO, BV, BPE, BP, BN, BLT, BGE, BLE, BGT, BNH, BH, BF, BT, BTCLR, BFSET, DBNZ

Table 12-5. Call/Return and Branch Instructions Implemented by Addressing

Instruction address operand	\$addr20	!addr20	!addr16	!!addr20	rp	rg	[rp]	[rg]	!addr11	[addr5]	RBn	None
Basic instruction	BC ^{Note} BR	CALL BR	CALL BR RETCS RETCSB	CALL BR	CALL BR	CALL BR	CALL BR	CALL BR	CALLF	CALLF	BRKCS	BRK RET RETI RETB
Composite instruction	BF BT BTCLR BFSET DBNZ											

Note BNZ, BNE, BZ, BE, BNC, BNL, BL, BNV, BPO, BV, BPE, BP, BN, BLT, BGE, BLE, BGT, BNH, and BH are the same as BC.

(6) Other instructions

ADJBA, ADJSB, CVTBW, LOCATION, SEL, NOT EI, DI, SWRS

ABSOLUTE MAXIMUM RATINGS ($T_A = 25\text{ }^\circ\text{C}$)

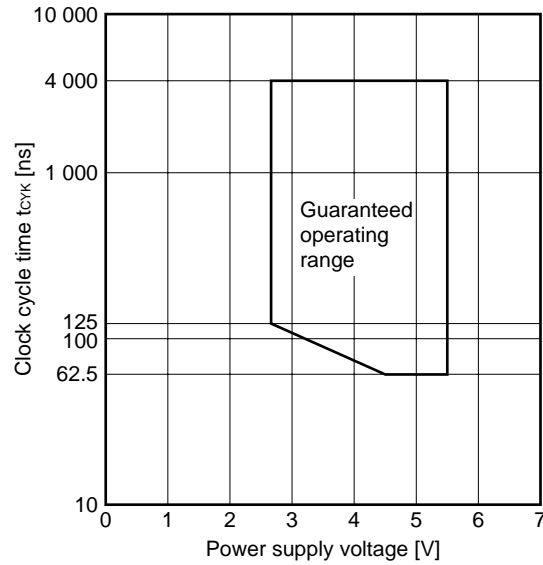
Parameter	Symbol	Conditions	Rating	Unit
Supply voltage	V_{DD}		-0.5 to +7.0	V
	AV_{DD}		AV_{SS} to $V_{DD} + 0.5$	V
	AV_{SS}		-0.5 to +0.5	V
Input voltage	V_I		-0.5 to $V_{DD} + 0.5$	V
Output voltage	V_O		-0.5 to $V_{DD} + 0.5$	V
Output low current	I_{OL}	At one pin	15	mA
		Total of all output pins	100	mA
Output high current	I_{OH}	At one pin	-10	mA
		Total of all output pins	-100	mA
A/D converter reference input voltage	AV_{REF1}		-0.5 to $V_{DD} + 0.3$	V
D/A converter reference input voltage	AV_{REF2}		-0.5 to $V_{DD} + 0.3$	V
	AV_{REF3}		-0.5 to $V_{DD} + 0.3$	V
Operating ambient temperature	T_A		-40 to +85	$^\circ\text{C}$
Storage temperature	T_{stg}		-65 to +150	$^\circ\text{C}$

Caution Absolute maximum ratings are rated values beyond which physical damage will be caused to the product; if the rated value of any of the parameters in the above table is exceeded, even momentarily, the quality of the product may deteriorate. Always use the product within its rated values.

OPERATING CONDITIONS

- Operating ambient temperature (T_A) : -40 to +85 °C
- Rise time and fall time (t_r, t_f) (at pins which are not specified) : 0 to 200 μ s
- Power supply voltage and clock cycle time : See **Figure 13-1**.

Figure 13-1. Power Supply Voltage and Clock Cycle Time



CAPACITANCE ($T_A = 25\text{ °C}, V_{DD} = V_{SS} = 0\text{ V}$)

Parameter	Symbol	Conditions	MIN.	TYP.	MAX.	Unit
Input capacitance	C_i	$f = 1\text{ MHz}$			10	pF
Output capacitance	C_o	0 V on pins other than measured pins			10	pF
I/O capacitance	$C_{i/o}$				10	pF

OSCILLATOR CHARACTERISTICS (T_A = -40 to +85 °C, V_{DD} = +4.5 to 5.5 V, V_{SS} = 0 V)

Resonator	Recommended circuit	Parameter	MIN.	MAX.	Unit
Ceramic resonator or crystal		Oscillator frequency (f _{xx})	4	32	MHz
External clock		X1 input frequency (f _x)	4	32	MHz
		X1 input rise and fall times (t _{xR} , t _{xF})	0	10	ns
		X1 input high-level and low-level widths (t _{wXH} , t _{wXL})	10	125	ns

Caution When using the system clock generator, run wires in the portion surrounded by broken lines according to the following rules to avoid effects such as stray capacitance:

- Minimize the wiring.
- Never cause the wires to cross other signal lines.
- Never cause the wires to run near a line carrying a large varying current.
- Cause the grounding point of the capacitor of the oscillator to have the same potential as V_{SS1}.
Never connect the capacitor to a ground pattern carrying a large current.
- Never extract a signal from the oscillator.

OSCILLATOR CHARACTERISTICS (T_A = -40 to +85 °C, V_{DD} = +2.7 to 5.5 V, V_{SS} = 0 V)

Resonator	Recommended circuit	Parameter	MIN.	MAX.	Unit
Ceramic resonator or crystal		Oscillator frequency (f _{xx})	4	16	MHz
External clock		X1 input frequency (f _x)	4	16	MHz
		X1 input rise and fall times (t _{xR} , t _{xF})	0	10	ns
		X1 input high-level and low-level widths (t _{wXH} , t _{wXL})	10	125	ns

Caution When using the system clock generator, run wires in the portion surrounded by broken lines according to the following rules to avoid effects such as stray capacitance:

- Minimize the wiring.
- Never cause the wires to cross other signal lines.
- Never cause the wires to run near a line carrying a large varying current.
- Cause the grounding point of the capacitor of the oscillator to have the same potential as V_{SS1}. Never connect the capacitor to a ground pattern carrying a large current.
- Never extract a signal from the oscillator.

DC CHARACTERISTICS (T_A = -40 to +85 °C, V_{DD} = AV_{DD} = +2.7 to 5.5 V, V_{SS} = AV_{SS} = 0 V) (1/2)

Parameter	Symbol	Conditions	MIN.	TYP.	MAX.	Unit
Input low voltage	V _{IL1}	For pins other than those described in Notes 1, 2, 3, and 4	-0.3		0.3V _{DD}	V
	V _{IL2}	For pins described in Notes 1, 2, 3, and 4	-0.3		0.2V _{DD}	V
	V _{IL3}	V _{DD} = +5.0 V ± 10 % For pins described in Notes 2, 3, and 4	-0.3		+0.8	V
Input high voltage	V _{IH1}	For pins other than those described in Note 1	0.7V _{DD}		V _{DD} + 0.3	V
	V _{IH2}	For pins described in Note 1	0.8V _{DD}		V _{DD} + 0.3	V
	V _{IH3}	V _{DD} = +5.0 V ± 10 % For pins described in Notes 2, 3, and 4	2.2		V _{DD} + 0.3	V
Output low voltage	V _{OL1}	I _{OL} = 2 mA			0.4	V
	V _{OL2}	V _{DD} = +5.0 V ± 10 % I _{OL} = 8 mA For pins described in Notes 2 and 5			1.0	V
Output high voltage	V _{OH1}	I _{OH} = -2 mA	V _{DD} - 1.0			V
	V _{OH2}	V _{DD} = +5.0 V ± 10 % I _{OH} = -5 mA For pins described in Note 4	V _{DD} - 1.4			V
X1 input low current	I _{IL}	EXTC = 0 0 V ≤ V _I ≤ V _{IL2}			-30	μA
X1 input high current	I _{IH}	EXTC = 0 V _{IH2} ≤ V _I ≤ V _{DD}			+30	μA

- Notes**
1. X1, X2, $\overline{\text{RESET}}$, P12/ $\overline{\text{ASCK2/SCK2}}$, P20/NMI, P21/INTP0, P22/INTP1, P23/INTP2/CI, P24/INTP3, P25/INTP4/ $\overline{\text{ASCK/SCK1}}$, P26/INTP5, P27/SI0, P32/ $\overline{\text{SCK0/SCL}}$, P33/SO0/SDA, TEST
 2. P40/AD0-P47/AD7, P50/A8-P57/A15
 3. P60/A16-P63/A19, P64/ $\overline{\text{RD}}$, P65/ $\overline{\text{WR}}$, P66/ $\overline{\text{WAIT/HLDRQ}}$, P67/ $\overline{\text{REFRQ/HLDAK}}$
 4. P00-P07
 5. P10-P17

DC CHARACTERISTICS (T_A = -40 to +85 °C, V_{DD} = AV_{DD} = +2.7 to 5.5 V, V_{SS} = AV_{SS} = 0 V) (2/2)

Parameter	Symbol	Conditions	MIN.	TYP.	MAX.	Unit
Input leakage current	I _{LI}	0 V ≤ V _I ≤ V _{DD} For pins other than X1 when EXTC = 0			±10	μA
Output leakage current	I _{LO}	0 V ≤ V _O ≤ V _{DD}			±10	μA
V _{DD} supply current	I _{DD1}	Operation mode f _{XX} = 32 MHz V _{DD} = +5.0 V ± 10 %		25	45	mA
				12	25	mA
	I _{DD2}	HALT mode f _{XX} = 32 MHz V _{DD} = +5.0 V ± 10 %		13	26	mA
				8	12	mA
	I _{DD3}	IDLE mode (EXTC = 0) f _{XX} = 32 MHz V _{DD} = +5.0 V ± 10 %			12	mA
					8	mA
Pull-up resistor	R _L	V _I = 0 V	15		80	kΩ

AC CHARACTERISTICS (T_A = -40 to +85 °C, V_{DD} = AV_{DD} = +2.7 to 5.5 V, V_{SS} = AV_{SS} = 0 V)

(1) Read/write operation (1/2)

Parameter	Symbol	Conditions	MIN.	MAX.	Unit
Address setup time	tsAST	V _{DD} = +5.0 V ± 10 %	(0.5 + a) T - 15		ns
			(0.5 + a) T - 31		ns
ASTB high-level width	twSTH	V _{DD} = +5.0 V ± 10 %	(0.5 + a) T - 17		ns
			(0.5 + a) T - 40		ns
Address hold time (to ASTB↓)	thSTLA	V _{DD} = +5.0 V ± 10 %	0.5T - 24		ns
			0.5T - 34		ns
Address hold time (to $\overline{RD}\uparrow$)	thRA		0.5T - 14		ns
Delay from address to $\overline{RD}\downarrow$	tdAR	V _{DD} = +5.0 V ± 10 %	(1 + a) T - 9		ns
			(1 + a) T - 15		ns
Address float time (to $\overline{RD}\downarrow$)	tfRA			0	ns
Delay from address to data input	tdAID	V _{DD} = +5.0 V ± 10 %		(2.5 + a + n) T - 37	ns
				(2.5 + a + n) T - 52	ns
Delay from ASTB↓ to data input	tdSTID	V _{DD} = +5.0 V ± 10 %		(2 + n) T - 40	ns
				(2 + n) T - 60	ns
Delay from $\overline{RD}\downarrow$ to data input	tdRID	V _{DD} = +5.0 V ± 10 %		(1.5 + n) T - 50	ns
				(1.5 + n) T - 70	ns
Delay from ASTB↓ to $\overline{RD}\downarrow$	tdSTR		0.5T - 9		ns
Data hold time (to $\overline{RD}\uparrow$)	thRID		0		ns
Delay from $\overline{RD}\uparrow$ to address active	tdRA	After program is read	V _{DD} = +5.0 V ± 10 %	0.5T - 8	ns
				0.5T - 12	ns
		After data is read	V _{DD} = +5.0 V ± 10 %	1.5T - 8	ns
				1.5T - 12	ns
Delay from $\overline{RD}\uparrow$ to ASTB↑	tdRST		0.5T - 17		ns
\overline{RD} low-level width	twRL	V _{DD} = +5.0 V ± 10 %	(1.5 + n) T - 30		ns
			(1.5 + n) T - 40		ns
Address hold time (to $\overline{WR}\uparrow$)	thWA		0.5T - 14		ns
Delay from address to $\overline{WR}\downarrow$	tdAW	V _{DD} = +5.0 V ± 10 %	(1 + a) T - 5		ns
			(1 + a) T - 15		ns
Delay from ASTB↓ to data output	tdSTOD	V _{DD} = +5.0 V ± 10 %		0.5T + 19	ns
				0.5T + 35	ns
Delay from $\overline{WR}\downarrow$ to data output	tdWOD			0.5T - 11	ns
Delay from ASTB↓ to $\overline{WR}\downarrow$	tdSTW		0.5T - 9		ns

Remarks T: T_{CYK} (system clock cycle time)
a: 1 (during address wait), otherwise, 0
n: Number of wait states (n ≥ 0)

(1) Read/write operation (2/2)

Parameter	Symbol	Conditions	MIN.	MAX.	Unit
Data setup time (to $\overline{WR}\uparrow$)	t _{SODW}	V _{DD} = +5.0 V ± 10 %	(1.5 + n) T - 30		ns
			(1.5 + n) T - 40		ns
Data hold time (to $\overline{WR}\uparrow$) ^{Note}	t _{HWOD}	V _{DD} = +5.0 V ± 10 %	0.5T - 5		ns
			0.5T - 25		ns
Delay from $\overline{WR}\uparrow$ to $\overline{ASTB}\uparrow$	t _{DWST}		0.5T - 12		ns
\overline{WR} low-level width	t _{WWL}	V _{DD} = +5.0 V ± 10 %	(1.5 + n) T - 30		ns
			(1.5 + n) T - 40		ns

Note The hold time includes the time during which V_{OH1} and V_{OL1} are held under the load conditions of C_L = 50 pF and R_L = 4.7 kΩ.

Remarks T: T_{CYK} (system clock cycle time)
 n: Number of wait states (n ≥ 0)

(2) Bus hold timing

Parameter	Symbol	Conditions	MIN.	MAX.	Unit
Delay from HLDRQ \uparrow to float	t _{FHQC}			(6 + a + n) T + 50	ns
Delay from HLDRQ \uparrow to HLDAK \uparrow	t _{DHQHHAH}	V _{DD} = +5.0 V ± 10 %		(7 + a + n) T + 30	ns
				(7 + a + n) T + 40	ns
Delay from float to HLDAK \uparrow	t _{DCFHA}			1T + 30	ns
Delay from HLDRQ \downarrow to HLDAK \downarrow	t _{DHQLHAL}	V _{DD} = +5.0 V ± 10 %		2T + 40	ns
				2T + 60	ns
Delay from HLDAK \downarrow to active	t _{DHAC}	V _{DD} = +5.0 V ± 10 %	1T - 20		ns
			1T - 30		ns

Remarks T: T_{CYK} (system clock cycle time)
 a: 1 (during address wait), otherwise, 0
 n: Number of wait states (n ≥ 0)

(3) External wait timing

Parameter	Symbol	Conditions	MIN.	MAX.	Unit
Delay from address to $\overline{\text{WAIT}}\downarrow$ input	t _{DAWT}	V _{DD} = +5.0 V ± 10 %		(2 + a) T - 40	ns
				(2 + a) T - 60	ns
Delay from ASTB \downarrow to $\overline{\text{WAIT}}\downarrow$ input	t _{DSTWT}	V _{DD} = +5.0 V ± 10 %		1.5T - 40	ns
				1.5T - 60	ns
Hold time from ASTB \downarrow to $\overline{\text{WAIT}}$	t _{HSTWTH}	V _{DD} = +5.0 V ± 10 %	(0.5 + n) T + 5		ns
			(0.5 + n) T + 10		ns
Delay from ASTB \downarrow to $\overline{\text{WAIT}}\uparrow$	t _{DSTWTH}	V _{DD} = +5.0 V ± 10 %		(1.5 + n) T - 40	ns
				(1.5 + n) T - 60	ns
Delay from $\overline{\text{RD}}\downarrow$ to $\overline{\text{WAIT}}\downarrow$ input	t _{DRWTL}	V _{DD} = +5.0 V ± 10 %		T - 50	ns
				T - 70	ns
Hold time from $\overline{\text{RD}}\downarrow$ to $\overline{\text{WAIT}}\downarrow$	t _{HRWT}	V _{DD} = +5.0 V ± 10 %	nT + 5		ns
			nT + 10		ns
Delay from $\overline{\text{RD}}\downarrow$ to $\overline{\text{WAIT}}\uparrow$	t _{DRWTH}	V _{DD} = +5.0 V ± 10 %		(1 + n) T - 40	ns
				(1 + n) T - 60	ns
Delay from $\overline{\text{WAIT}}\uparrow$ to data input	t _{DWTID}	V _{DD} = +5.0 V ± 10 %		0.5T - 5	ns
				0.5T - 10	ns
Delay from $\overline{\text{WAIT}}\uparrow$ to $\overline{\text{WR}}\uparrow$	t _{DWTW}		0.5T		ns
Delay from $\overline{\text{WAIT}}\uparrow$ to $\overline{\text{RD}}\uparrow$	t _{DWTR}		0.5T		ns
Delay from $\overline{\text{WR}}\downarrow$ to $\overline{\text{WAIT}}\downarrow$ input	t _{DWWTL}	V _{DD} = +5.0 V ± 10 %		T - 50	ns
				T - 75	ns
Hold time from $\overline{\text{WR}}\downarrow$ to $\overline{\text{WAIT}}$	t _{HWWT}	V _{DD} = +5.0 V ± 10 %	nT + 5		ns
			nT + 10		ns
Delay from $\overline{\text{WR}}\downarrow$ to $\overline{\text{WAIT}}\uparrow$	t _{DWWTH}	V _{DD} = +5.0 V ± 10 %		(1 + n) T - 40	ns
				(1 + n) T - 70	ns

Remarks T: T_{CYK} (system clock cycle time)
a: 1 (during address wait), otherwise, 0
n: Number of wait states (n ≥ 0)

(4) Refresh timing

Parameter	Symbol	Conditions	MIN.	MAX.	Unit
Random read/write cycle time	t _{RC}		3T		ns
$\overline{\text{REFRQ}}$ low-level pulse width	t _{WRFQL}	V _{DD} = +5.0 V ± 10 %	1.5T - 25		ns
			1.5T - 30		ns
Delay from ASTB \downarrow to $\overline{\text{REFRQ}}$	t _{DSTRFQ}		0.5T - 9		ns
Delay from $\overline{\text{RD}}\uparrow$ to $\overline{\text{REFRQ}}$	t _{DRRFQ}		1.5T - 9		ns
Delay from $\overline{\text{WR}}\uparrow$ to $\overline{\text{REFRQ}}$	t _{DWRFQ}		1.5T - 9		ns
Delay from $\overline{\text{REFRQ}}\uparrow$ to ASTB	t _{DRFQST}		0.5T - 15		ns
$\overline{\text{REFRQ}}$ high-level pulse width	t _{WRFQH}	V _{DD} = +5.0 V ± 10 %	1.5T - 25		ns
			1.5T - 30		ns

Remark T: T_{CYK} (system clock cycle time)

SERIAL OPERATION (T_A = -40 to +85 °C, V_{BD} = +2.7 to 5.5 V, AV_{SS} = V_{SS} = 0 V)

(1) CSI

Parameter	Symbol	Conditions		MIN.	MAX.	Unit
Serial clock cycle time ($\overline{\text{SCK0}}$)	t _{CYSK0}	Input	External clock When $\overline{\text{SCK0}}$ and S00 are CMOS I/O	10/f _{xx} + 380		ns
		Output		T		μs
Serial clock low-level width ($\overline{\text{SCK0}}$)	t _{WSKL0}	Input	External clock When $\overline{\text{SCK0}}$ and S00 are CMOS I/O	5/f _{xx} + 150		ns
		Output		0.5T - 40		μs
Serial clock high-level width ($\overline{\text{SCK0}}$)	t _{WSKH0}	Input	External clock When $\overline{\text{SCK0}}$ and S00 are CMOS I/O	5/f _{xx} + 150		ns
		Output		0.5T - 40		μs
SIO setup time (to $\overline{\text{SCK0}}\uparrow$)	t _{SSSK0}			40		ns
SIO hold time (to $\overline{\text{SCK0}}\uparrow$)	t _{HSSK0}			5/f _{xx} + 40		ns
S00 output delay time (to $\overline{\text{SCK0}}\downarrow$)	t _{DSBSK1}	CMOS push-pull output (3-wire serial I/O mode)		0	5/f _{xx} + 150	ns
	t _{DSBSK2}	Open-drain output (2-wire serial I/O mode), R _L = 1 kΩ		0	5/f _{xx} + 400	ns

- Remarks**
1. The values in this table are those when C_L is 100 pF.
 2. T : Serial clock cycle set by software. The minimum value is 16/f_{xx}.
 3. f_{xx} : Oscillator frequency

(2) IOE1, IOE2

Parameter	Symbol	Conditions		MIN.	MAX.	Unit
Serial clock cycle time ($\overline{\text{SCK1}}$, $\overline{\text{SCK2}}$)	tcYSK1	Input	V _{DD} = +5.0 V ± 10 %	250		ns
				500		ns
	Output	Internal, divided by 16	T		ns	
Serial clock low-level width ($\overline{\text{SCK1}}$, $\overline{\text{SCK2}}$)	twSKL1	Input	V _{DD} = +5.0 V ± 10 %	85		ns
				210		ns
	Output	Internal, divided by 16	0.5T - 40		ns	
Serial clock high-level width ($\overline{\text{SCK1}}$, $\overline{\text{SCK2}}$)	twSKH1	Input	V _{DD} = +5.0 V ± 10 %	85		ns
				210		ns
	Output	Internal, divided by 16	0.5T - 40		ns	
Setup time for SI1 and SI2 (to $\overline{\text{SCK1}}$, $\overline{\text{SCK2}}\uparrow$)	tSSK1			40		ns
Hold time for SI1 and SI2 (to $\overline{\text{SCK1}}$, $\overline{\text{SCK2}}\uparrow$)	tHSSK1			40		ns
Output delay time for SO1 and SO2 (to $\overline{\text{SCK1}}$, $\overline{\text{SCK2}}\downarrow$)	tDSOSK			0	50	ns
Output hold time for SO1 and SO2 (to $\overline{\text{SCK1}}$, $\overline{\text{SCK2}}\uparrow$)	tHSOSK	When data is transferred		0.5tcYSK1 - 40		ns

Remarks 1. The values in this table are those when C_L is 100 pF.

2. T: Serial clock cycle set by software. The minimum value is 16/f_{xx}.

(3) UART, UART2

Parameter	Symbol	Conditions	MIN.	MAX.	Unit
ASCK clock input cycle time	tcYASK	V _{DD} = +5.0 V ± 10 %	125		ns
			250		ns
ASCK clock low-level width	twASKL	V _{DD} = +5.0 V ± 10 %	52.5		ns
			85		ns
ASCK clock high-level width	twASKH	V _{DD} = +5.0 V ± 10 %	52.5		ns
			85		ns

CLOCK OUTPUT OPERATION

Parameter	Symbol	Conditions	MIN.	MAX.	Unit
CLKOUT cycle time	t _{CYCL}		nT		ns
CLKOUT low-level width	t _{CLL}	V _{DD} = +5.0 V ± 10 %	0.5t _{CYCL} - 10		ns
			0.5t _{CYCL} - 20		ns
CLKOUT high-level width	t _{CLH}	V _{DD} = +5.0 V ± 10 %	0.5t _{CYCL} - 10		ns
			0.5t _{CYCL} - 20		ns
CLKOUT rise time	t _{CLR}	V _{DD} = +5.0 V ± 10 %		10	ns
				20	ns
CLKOUT fall time	t _{CLF}	V _{DD} = +5.0 V ± 10 %		10	ns
				20	ns

Remarks n: Divided frequency ratio set by software in the CPU (n = 1, 2, 4, 8, 16)
 T: t_{CYK} (system clock cycle time)

OTHER OPERATIONS

Parameter	Symbol	Conditions	MIN.	MAX.	Unit
NMI low-level width	t _{WNIL}		10		μs
NMI high-level width	t _{WNIH}		10		μs
INTP0 low-level width	t _{WIT0L}		4t _{CYSMP}		ns
INTP0 high-level width	t _{WIT0H}		4t _{CYSMP}		ns
Low-level width for INTP1-INTP3 and CI	t _{WIT1L}		4t _{CYCPU}		ns
High-level width for INTP1-INTP3 and CI	t _{WIT1H}		4t _{CYCPU}		ns
Low-level width for INTP4 and INTP5	t _{WIT2L}		10		μs
High-level width for INTP4 and INTP5	t _{WIT2H}		10		μs
RESET low-level width	t _{WRSL}		10		μs
RESET high-level width	t _{WRSH}		10		μs

Remarks t_{CYSMP}: Sampling clock set by software
 t_{CYCPU}: CPU operation clock set by software in the CPU

A/D CONVERTER CHARACTERISTICS(T_A = -40 to +85 °C, V_{DD} = AV_{DD} = AV_{REF1} = +2.7 to 5.5 V, V_{SS} = AV_{SS} = 0 V)

Parameter	Symbol	Conditions	MIN.	TYP.	MAX.	Unit
Resolution			8			bit
Total error ^{Note}					1.0	%
Linearity calibration ^{Note}					0.8	%
Quantization error					±1/2	LSB
Conversion time	t _{CONV}	FR = 1	120			t _{CYK}
		FR = 0	180			t _{CYK}
Sampling time	t _{SAMP}	FR = 1	24			t _{CYK}
		FR = 0	36			t _{CYK}
Analog input voltage	V _{IAN}		-0.3		AV _{REF1} + 0.3	V
Analog input impedance	R _{AN}			1 000		MΩ
AV _{REF1} current	AI _{REF1}			0.5	1.5	mA
AV _{DD} supply current	AI _{DD1}	f _{XX} = 32 MHz, CS = 1		2.0	5.0	mA
	AI _{DD2}	STOP mode, CS = 0		1.0	20	μA

Note Quantization error is not included. This parameter is indicated as the ratio to the full-scale value.

Remark t_{CYK}: System clock cycle time

D/A CONVERTER CHARACTERISTICS (T_A = -40 to +85 °C, V_{DD} = AV_{DD} = +2.7 to 5.5 V, V_{SS} = AV_{SS} = 0 V)

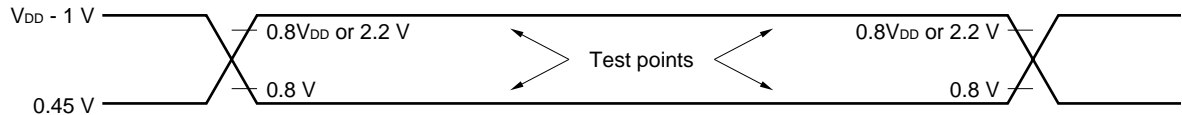
Parameter	Symbol	Conditions	MIN.	TYP.	MAX.	Unit	
Resolution			8			bit	
Total error		Load conditions: 4 MΩ, 30 pF	V _{DD} = AV _{DD} = AV _{REF2} = +2.7 to 5.5 V AV _{REF3} = 0 V			0.6	%
			V _{DD} = AV _{DD} = +2.7 to 5.5 V AV _{REF2} = 0.75V _{DD} AV _{REF3} = 0.25V _{DD}			0.8	%
		Load conditions: 2 MΩ, 30 pF	V _{DD} = AV _{DD} = AV _{REF2} = +2.7 to 5.5 V AV _{REF3} = 0 V			0.8	%
			V _{DD} = AV _{DD} = +2.7 to 5.5 V AV _{REF2} = 0.75V _{DD} AV _{REF3} = 0.25V _{DD}			1.0	%
Settling time		Load conditions: 2 MΩ, 30 pF			10	μs	
Output resistance	R _o	DACS0, 1 = 55 H		10		kΩ	
Analog reference voltage	AV _{REF2}		0.75V _{DD}		V _{DD}	V	
	AV _{REF3}		0		0.25V _{DD}	V	
Resistance of AV _{REF2} and AV _{REF3}	R _{AIREF}	DACS0, 1 = 55 H	4	8		kΩ	
Reference power supply input current	AI _{REF2}		0		5	mA	
	AI _{REF3}		-5		0	mA	

DATA RETENTION CHARACTERISTICS (T_A = -40 to +85 °C)

Parameter	Symbol	Conditions	MIN.	TYP.	MAX.	Unit
Data retention voltage	V _{DDDR}	STOP mode	2.5		5.5	V
Data retention current	I _{DDDR}	V _{DDDR} = +2.7 to 5.5 V		10	50	μA
		V _{DDDR} = +2.5 V		2	10	μA
V _{DD} rise time	t _{rVD}		200			μs
V _{DD} fall time	t _{fVD}		200			μs
V _{DD} hold time (to STOP mode setting)	t _{HVD}		0			ms
STOP clear signal input time	t _{DREL}		0			ms
Oscillation settling time	t _{WAIT}	Crystal	30			ms
		Ceramic resonator	5			ms
Input low voltage	V _{IL}	Specific pins ^{Note}	0		0.1V _{DDDR}	V
Input high voltage	V _{IH}		0.9V _{DDDR}		V _{DDDR}	V

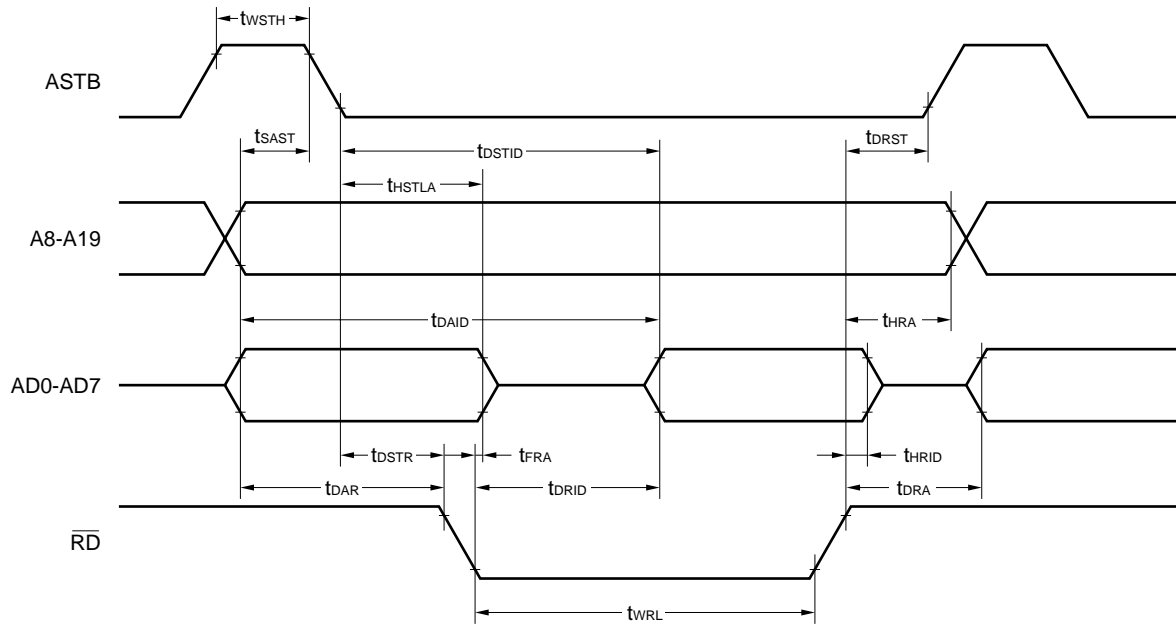
Note $\overline{\text{RESET}}$, P20/NMI, P21/INTP0, P22/INTP1, P23/INTP2/CI, P24/INTP3, P25/INTP4/ASCK/SCK1, P26/INTP5, P27/SI0, P32/SCK0/SCL, and P33/SO0/SDA pins

AC TIMING TEST POINTS

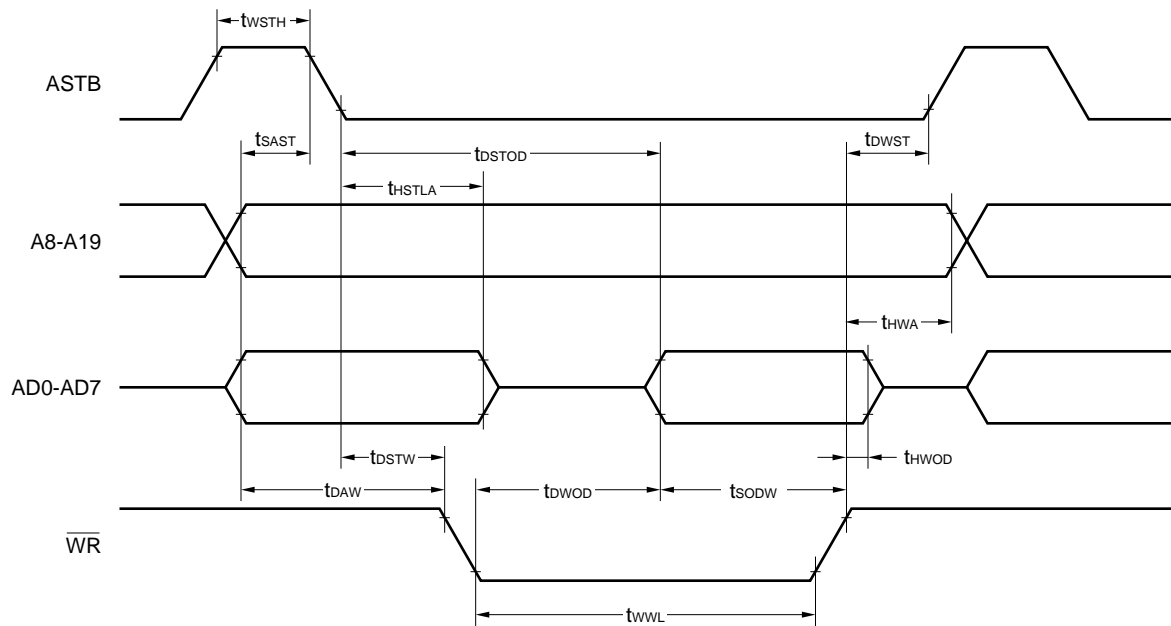


TIMING WAVEFORM

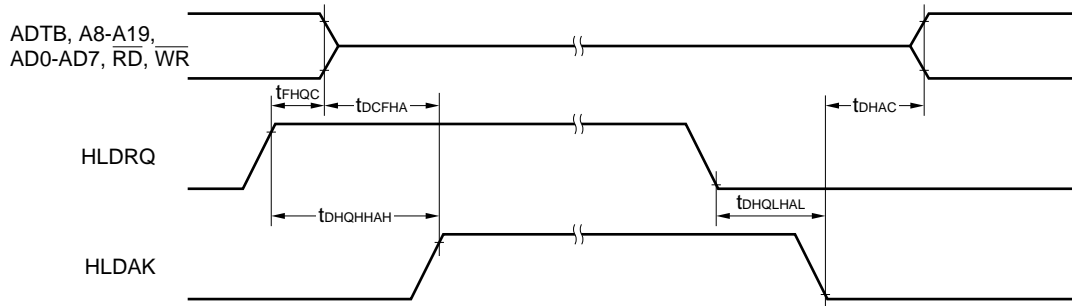
(1) Read operation



(2) Write operation

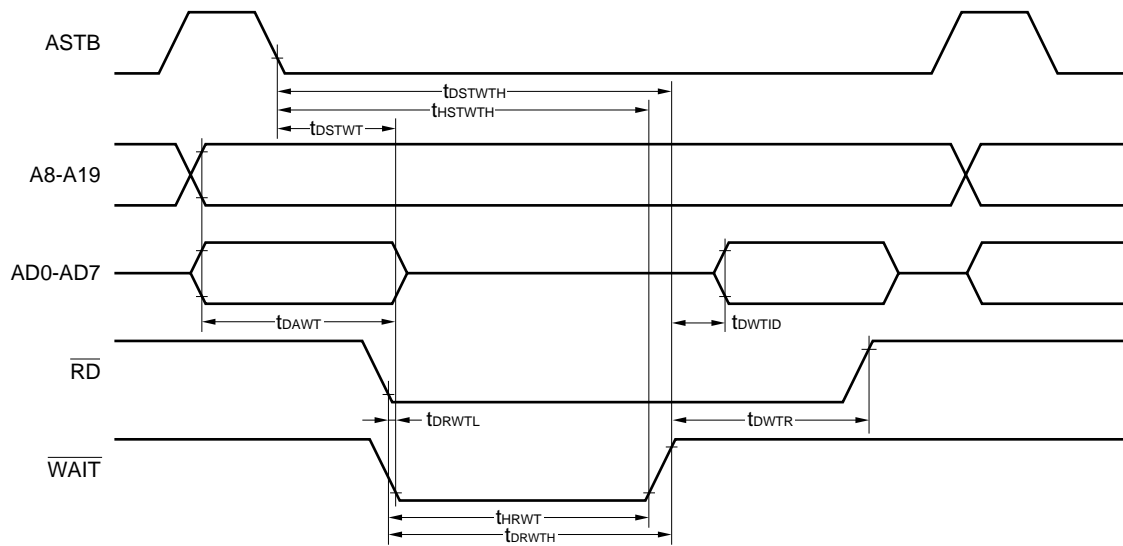


HOLD TIMING

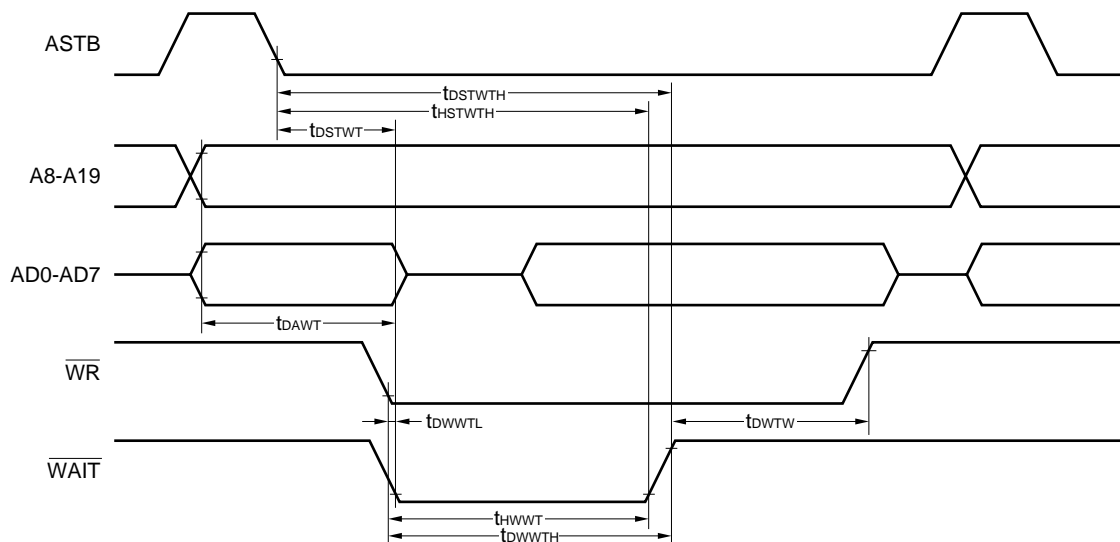


EXTERNAL WAIT SIGNAL INPUT TIMING

(1) Read operation

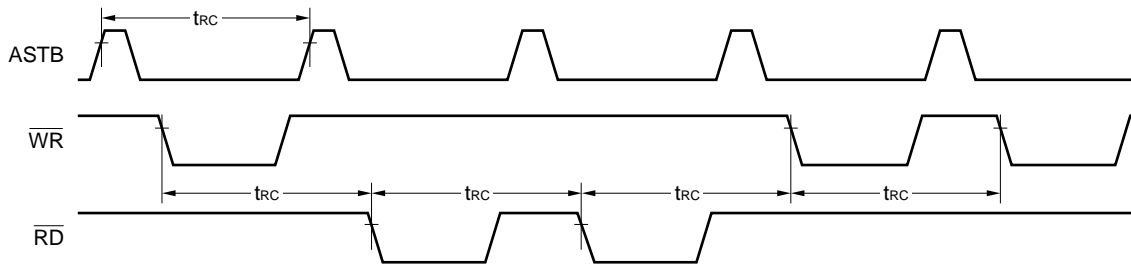


(2) Write operation

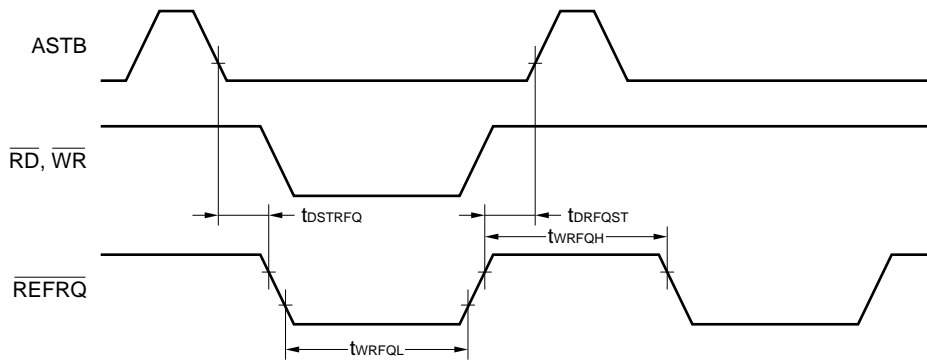


REFRESH TIMING WAVEFORM

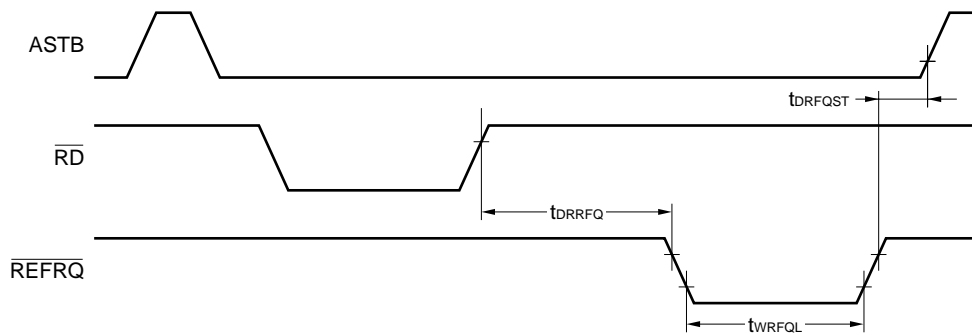
(1) Random read/write cycle



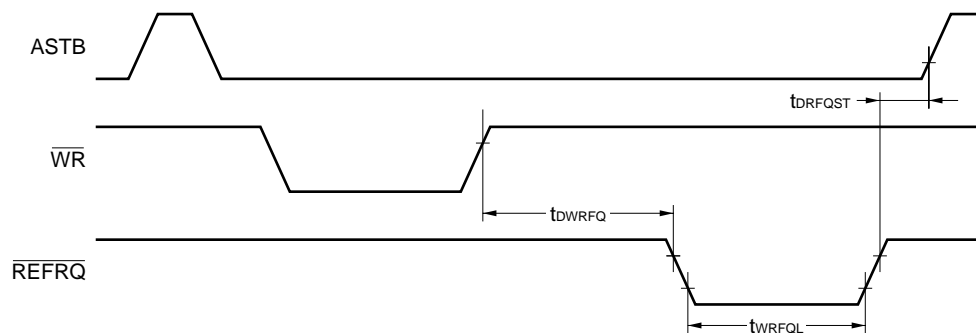
(2) When refresh memory is accessed for a read and write at the same time



(3) Refresh after a read

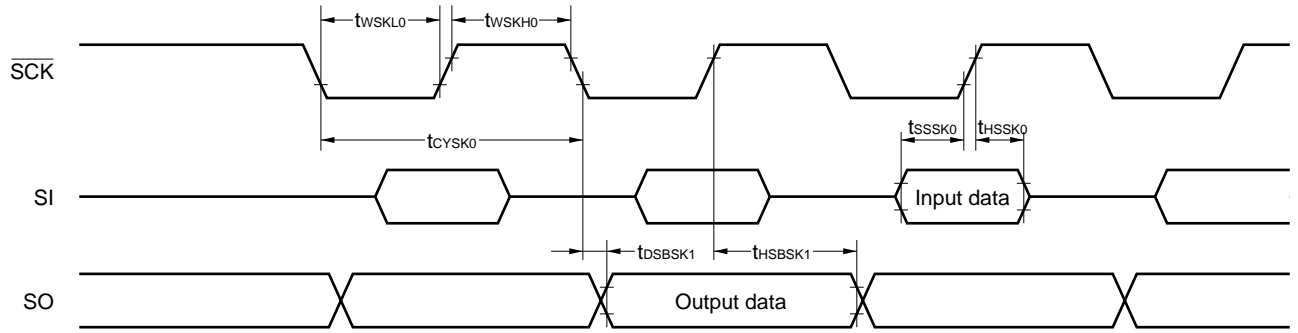


(4) Refresh after a write

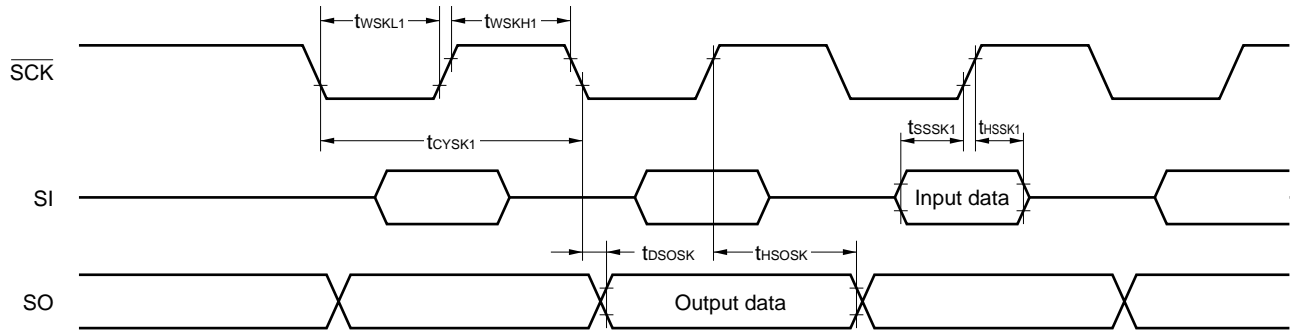


SERIAL OPERATION

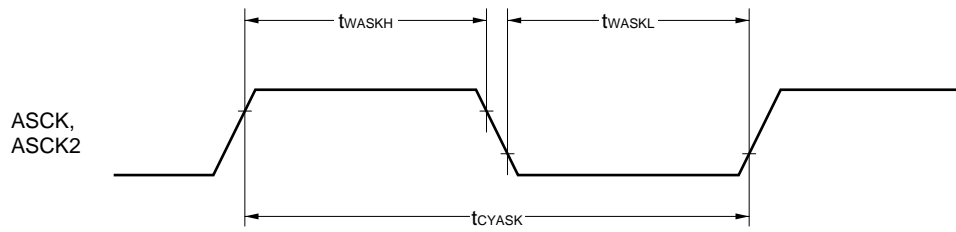
(1) CSI



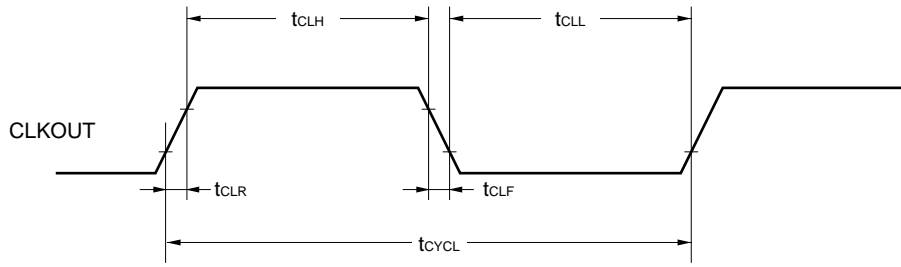
(2) IOE1, IOE2



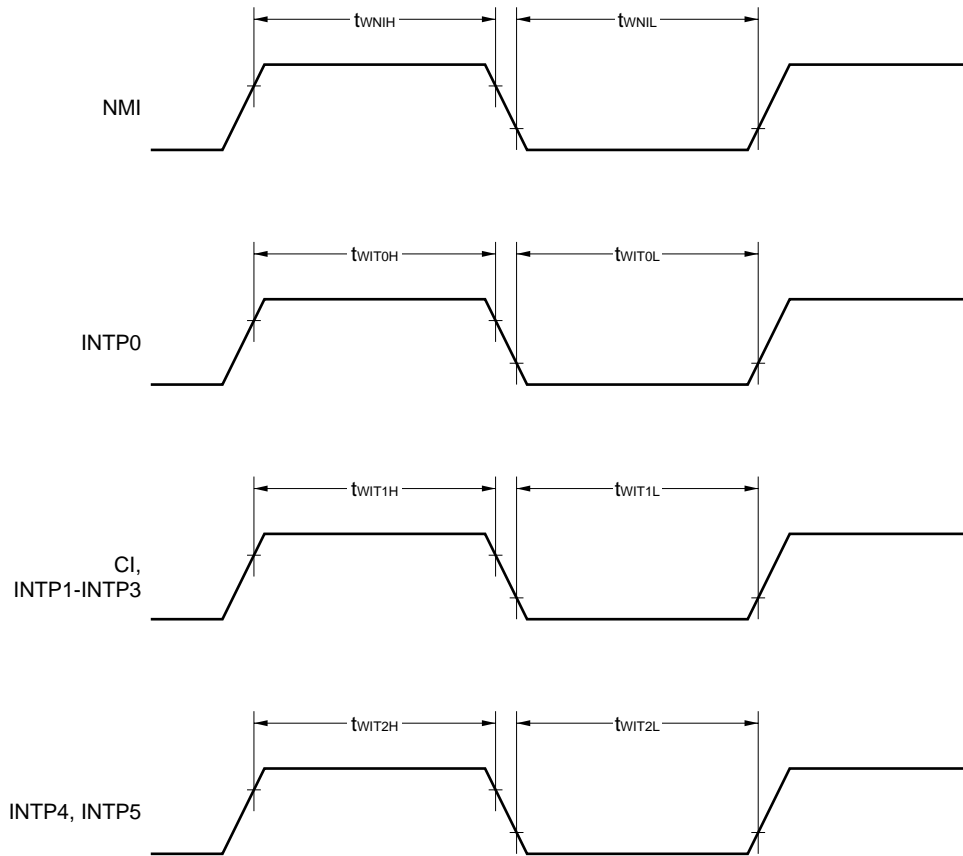
(3) UART, UART2



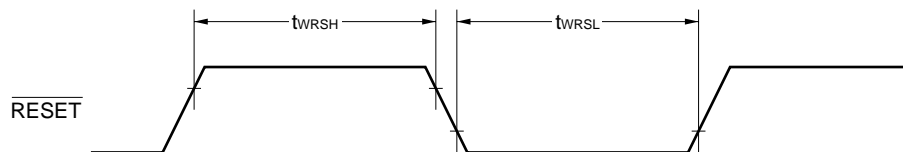
CLOCK OUTPUT TIMING



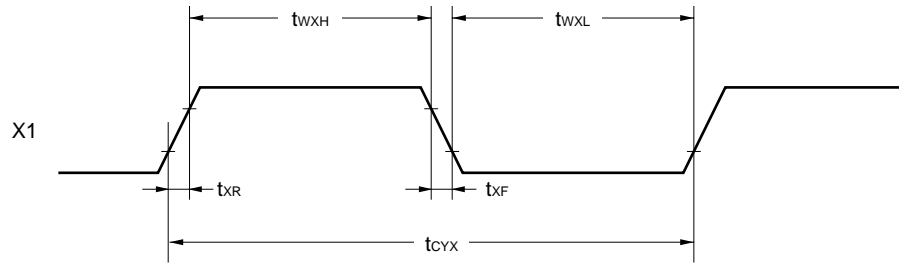
INTERRUPT REQUEST INPUT TIMING



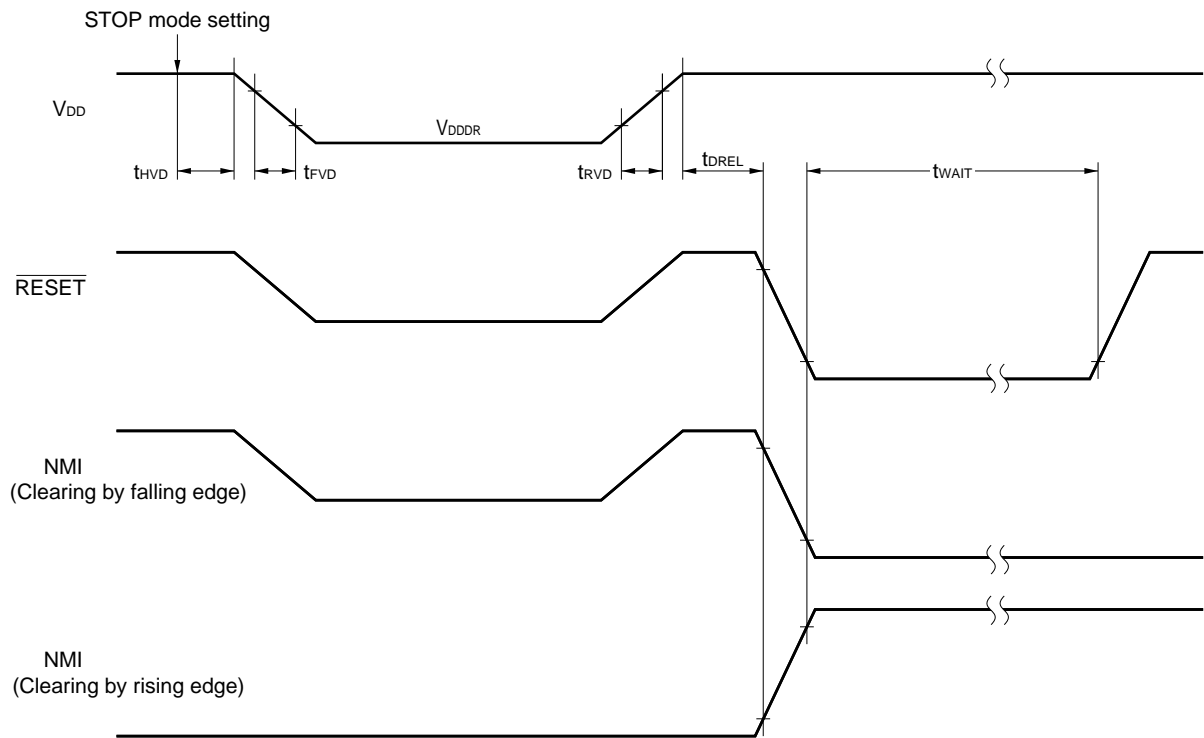
RESET INPUT TIMING



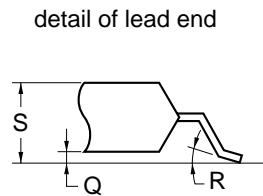
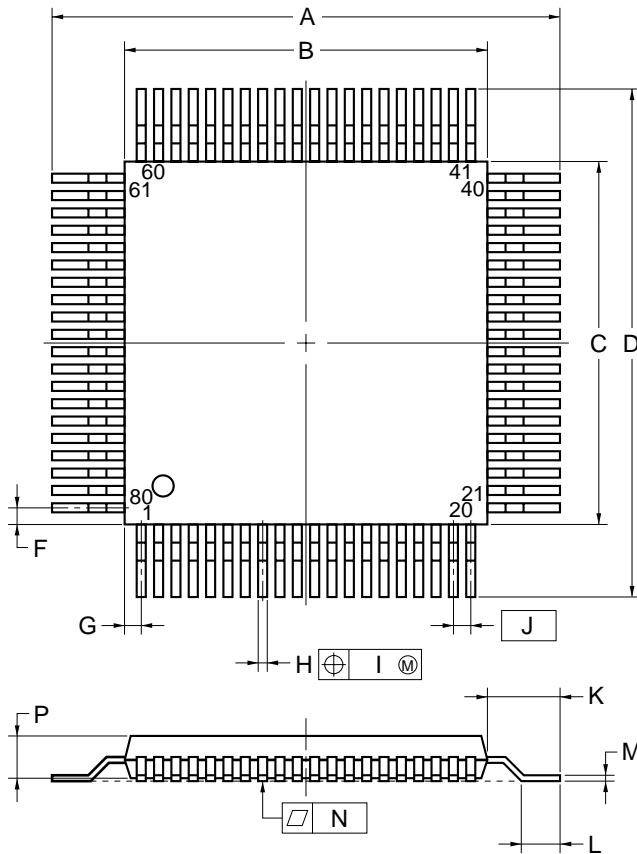
EXTERNAL CLOCK TIMING



DATA RETENTION CHARACTERISTICS



80 PIN PLASTIC QFP (14x14)



NOTE

Each lead centerline is located within 0.13 mm (0.005 inch) of its true position (T.P.) at maximum material condition.

ITEM	MILLIMETERS	INCHES
A	17.2±0.4	0.677±0.016
B	14.0±0.2	0.551 ^{+0.009} _{-0.008}
C	14.0±0.2	0.551 ^{+0.009} _{-0.008}
D	17.2±0.4	0.677±0.016
F	0.825	0.032
G	0.825	0.032
H	0.30±0.10	0.012 ^{+0.004} _{-0.005}
I	0.13	0.005
J	0.65 (T.P.)	0.026 (T.P.)
K	1.6±0.2	0.063±0.008
L	0.8±0.2	0.031 ^{+0.009} _{-0.008}
M	0.15 ^{+0.10} _{-0.05}	0.006 ^{+0.004} _{-0.003}
N	0.10	0.004
P	2.7±0.1	0.106 ^{+0.005} _{-0.004}
Q	0.1±0.1	0.004±0.004
R	5°±5°	5°±5°
S	3.0 MAX.	0.119 MAX.

S80GC-65-3B9-5

Remark The shape and material of the ES version are the same as those of the corresponding mass-produced product.

The conditions listed below shall be met when soldering the μPD784035(A) and μPD784036(A).

For details of the recommended soldering conditions, refer to our document **Semiconductor Device Mounting Technology Manual (C10535E)**.

Please consult with our sales offices in case any other soldering process is used, or in case soldering is done under different conditions.

Table 15-1. Soldering Conditions for Surface-Mount Devices

μPD784035GC(A)-xxx-3B9: 80-pin plastic QFP (14 × 14 mm)

μPD784036GC(A)-xxx-3B9: 80-pin plastic QFP (14 × 14 mm)

Soldering process	Soldering conditions	Symbol
Infrared ray reflow	Peak package's surface temperature: 235 °C Reflow time: 30 seconds or less (210 °C or more) Maximum allowable number of reflow processes: 3	IR35-00-3
VPS	Peak package's surface temperature: 215 °C Reflow time: 40 seconds or less (200 °C or more) Maximum allowable number of reflow processes: 3	VP15-00-3
Wave soldering	Solder temperature: 260 °C or less Flow time: 10 seconds or less Number of flow processes: 1 Preheating temperature : 120 °C max. (measured on the package surface)	WS60-00-1
Partial heating method	Terminal temperature: 300 °C or less Heat time: 3 seconds or less (for one side of a device)	-

Caution Do not apply two or more different soldering methods to one chip (except for partial heating method for terminal sections).

APPENDIX A DEVELOPMENT TOOLS

The following development tools are available for system development using the μPD784036(A).
See also (5).

(1) Language processing software

RA78K4	Assembler package for all 78K/IV series models
CC78K4	C compiler package for all 78K/IV series models
DF784038	Device file for μPD784038 sub-series models
CC78K4-L	C compiler library source file for all 78K/IV series models

(2) PROM write tools

PG-1500	PROM programmer
PA-78P4026GC	Programmer adaptor, connects to PG-1500
PG-1500 controller	Control program for PG-1500

(3) Debugging tools

- When using the in-circuit emulator IE-78K4-NS

IE-78K4-NS ^{Note}	In-circuit emulator for all 78K/IV series models
IE-70000-MC-PS-B	Power supply unit for IE-78K4-NS
IE-70000-98-IF-C ^{Note}	Interface adapter when the PC-9800 series computer (other than a notebook) is used as the host machine
IE-70000-CD-IF ^{Note}	PC card and interface cable when a PC-9800 series notebook is used as the host machine
IE-70000-PC-IF-C ^{Note}	Interface adapter when the IBM PC/AT™ or compatible is used as the host machine
IE-784038-NS-EM1 ^{Note}	Emulation board for evaluating μPD784038 sub-series models
NP-80GC	Emulation probe for 80-pin plastic QFP (GC-3B9 type)
EV-9200GC-80	Socket for mounting on target system board made for 80-pin plastic QFP (GC-3B9 type)
ID78K4-NS ^{Note}	Integrated debugger for IE-78K4-NS
SM78K4-NS	System simulator for all 78K/IV series models
DF784038	Device file for μPD784038 sub-series models

Note Under development

- When using the in-circuit emulator IE-784000-R

IE-784000-R	In-circuit emulator for all 78K/IV series models
IE-70000-98-IF-B IE-70000-98-IF-C ^{Note}	Interface adapter when the PC-9800 series computer (other than a notebook) is used as the host machine
IE-70000-98N-IF-B	Interface adapter and cable when a PC-9800 series notebook is used as the host machine
IE-70000-PC-IF-B IE-70000-PC-IF-C ^{Note}	Interface adapter when the IBM PC/AT or compatible is used as the host machine
IE-78000-R-SV3	Interface adapter and cable when the EWS is used as the host machine
IE-784038-NS-EM1 ^{Note} IE-784038-R-EM1 ^{Note}	Emulation board for evaluating μPD784038 sub-series models
IE-78400-R-EM	Emulation board for all 78K/IV series models
IE-78K4-R-EX2 ^{Note}	Conversion board for 80 pins to use the IE-784038-NS-EM1 on the IE-784000-R. The board is not needed when the conventional product IE-784038-R-EM1 is used.
EP-78230GC-R	Emulation probe for 80-pin plastic QFP (GC-3B9 type)
EV-9200GC-80	Socket for mounting on target system board made for 80-pin plastic QFP (GC-3B9 type)
ID78K4	Integrated debugger for IE-784000-R
SM78K4	System simulator for all 78K/IV series models
DF784038	Device file for μPD784038 sub-series models

Note Under development

(4) Real-time OS

RX78K/IV	Real-time OS for 78K/IV series models
MX78K4	OS for 78K/IV series models

(5) Notes when using development tools

- The ID78K-NS, ID78K4, and SM78K4 can be used in combination with the DF784038.
- The CC78K and RX78K/IV can be used in combination with the RA78K4 and DF784038.
- The NP-80GC is a product from Naito Densai Machida Seisakusho Co., Ltd. (044-822-3813). Consult the NEC sales representative for purchasing.
- The host machines and operating systems corresponding to each software are shown below.

Host machine [OS] Software	PC	EWS
		PC-9800 Series [Windows™] IBM PC/AT and compatibles [Windows]
RA78K4	○ Note	○
CC78K4	○ Note	○
PG-1500 controller	○ Note	-
ID78K4-NS	○	-
ID78K4	○	○
SM78K4	○	-
RX78K/IV	○ Note	○
MX78K4	○ Note	○

Note Software under MS-DOS

APPENDIX B RELATED DOCUMENTS

Documents Related to Devices

Document name	Document No.	
	Japanese	English
μPD784035(A), 784036(A) Data Sheet	U13010J	This manual
μPD784031(A) Data Sheet	U13009J	Under creation
μPD78P4038(A) Data Sheet	To be created	To be created
μPD784038, 784038Y Sub-Series User's Manual, Hardware	U11316J	U11316E
μPD784038 Sub-Series Special Function Registers	U11090J	-
78K/IV Series User's Manual, Instruction	U10905J	U10905E
78K/IV Series Instruction Summary Sheet	U10594J	-
78K/IV Series Instruction Set	U10595J	-
78K/IV Series Application Note, Software Basic	U10095J	-

Documents Related to Development Tools (User's Manual)

Document name		Document No.	
		Japanese	English
RA78K4 Assembler Package	Operation	U11334J	U11334E
	Language	U11162J	U11162E
RA78K Series Structured Assembler Preprocessor		U11743J	U11743E
CC78K4 C Compiler	Operation	U11572J	U11572E
	Language	U11571J	U11571E
CC78K Series Library Source File		U12322J	U12322E
PG-1500 PROM Programmer		U11940J	U11940E
PG-1500 Controller PC-9800 Series (MS-DOS™) Base		EEU-704	EEU-1291
PG-1500 Controller IBM PC Series (PC DOS™) Base		EEU-5008	U10540E
IE-78K4-NS		Under creation	To be created
IE-784000-R		U12903J	EEU-1534
IE-784038-NS-EM1		To be created	To be created
IE-784038-R-EM1		U11383J	U11383E
EP-78230		EEU-985	EEU-1515
SM78K4 System Simulator Windows Base	Reference	U10093J	U10093E
SM78K Series System Simulator	External Parts User Open Interface Specifications	U10092J	U10092E
ID78K4 Integrated Debugger	Reference	U12796J	U12796E
ID78K4 Integrated Debugger Windows Base	Reference	U10440J	U10440E
ID78K4 Integrated Debugger HP-UX, SunOS, NEW-OS Base	Reference	U11960J	U11960E

Caution The above documents may be revised without notice. Use the latest versions when you design application systems.

Documents Related to Software to Be Incorporated into the Product (User's Manual)

Document name		Document No.	
		Japanese	English
78K/IV Series Real-Time OS	Basic	U10603J	U10603E
	Installation	U10604J	U10604E
	Debugger	U10364J	-
OS for 78K/IV Series MX78K4	Basic	U11779J	-

Other Documents

Document name	Document No.	
	Japanese	English
IC PACKAGE MANUAL	C10943X	
Semiconductor Mount Technology Manual	C10535J	C10535E
Quality Grades on NEC Semiconductor Device	C11531J	C11531E
NEC Semiconductor Device Reliability/Quality Control System	C10983J	C10983E
Guide to Prevent Damage for Semiconductor Devices by Electrostatic Discharge (ESD)	U11892J	E11892E
Semiconductor Device Quality Control/Reliability Handbook	C12769J	-
Guide for Products Related to Micro-Computer: Other Companies	C11416J	-

Caution The above documents may be revised without notice. Use the latest versions when you design application systems.

NOTES FOR CMOS DEVICES

① PRECAUTION AGAINST ESD FOR SEMICONDUCTORS

Note: Strong electric field, when exposed to a MOS device, can cause destruction of the gate oxide and ultimately degrade the device operation. Steps must be taken to stop generation of static electricity as much as possible, and quickly dissipate it once, when it has occurred. Environmental control must be adequate. When it is dry, humidifier should be used. It is recommended to avoid using insulators that easily build static electricity. Semiconductor devices must be stored and transported in an anti-static container, static shielding bag or conductive material. All test and measurement tools including work bench and floor should be grounded. The operator should be grounded using wrist strap. Semiconductor devices must not be touched with bare hands. Similar precautions need to be taken for PW boards with semiconductor devices on it.

② HANDLING OF UNUSED INPUT PINS FOR CMOS

Note: No connection for CMOS device inputs can be cause of malfunction. If no connection is provided to the input pins, it is possible that an internal input level may be generated due to noise, etc., hence causing malfunction. CMOS device behave differently than Bipolar or NMOS devices. Input levels of CMOS devices must be fixed high or low by using a pull-up or pull-down circuitry. Each unused pin should be connected to V_{DD} or GND with a resistor, if it is considered to have a possibility of being an output pin. All handling related to the unused pins must be judged device by device and related specifications governing the devices.

③ STATUS BEFORE INITIALIZATION OF MOS DEVICES

Note: Power-on does not necessarily define initial status of MOS device. Production process of MOS does not define the initial operation status of the device. Immediately after the power source is turned ON, the devices with reset function have not yet been initialized. Hence, power-on does not guarantee out-pin levels, I/O settings or contents of registers. Device is not initialized until the reset signal is received. Reset operation must be executed immediately after power-on for devices having reset function.

IEBus is a trademark of NEC Corporation.

MS-DOS and Windows are registered trademarks or trademarks of Microsoft Corporation in the United States and/or other countries.

PC/AT, and PC DOS are trademarks of IBM Corporation.

HP9000 series 700 and HP-UX are trademarks of Hewlett-Packard Company.

SPARCstation is a trademark of SPARC International, Inc.

SunOS is a trademark of Sun Microsystems, Inc.

NEWS and NEWS-OS are trademarks of SONY Corporation.

Regional Information

Some information contained in this document may vary from country to country. Before using any NEC product in your application, please contact the NEC office in your country to obtain a list of authorized representatives and distributors. They will verify:

- Device availability
- Ordering information
- Product release schedule
- Availability of related technical literature
- Development environment specifications (for example, specifications for third-party tools and components, host computers, power plugs, AC supply voltages, and so forth)
- Network requirements

In addition, trademarks, registered trademarks, export restrictions, and other legal issues may also vary from country to country.

NEC Electronics Inc. (U.S.)

Santa Clara, California
Tel: 408-588-6000
800-366-9782
Fax: 408-588-6130
800-729-9288

NEC Electronics (Germany) GmbH

Duesseldorf, Germany
Tel: 0211-65 03 02
Fax: 0211-65 03 490

NEC Electronics (UK) Ltd.

Milton Keynes, UK
Tel: 01908-691-133
Fax: 01908-670-290

NEC Electronics Italiana s.r.l.

Milano, Italy
Tel: 02-66 75 41
Fax: 02-66 75 42 99

NEC Electronics (Germany) GmbH

Benelux Office
Eindhoven, The Netherlands
Tel: 040-2445845
Fax: 040-2444580

NEC Electronics (France) S.A.

Velizy-Villacoublay, France
Tel: 01-30-67 58 00
Fax: 01-30-67 58 99

NEC Electronics (France) S.A.

Spain Office
Madrid, Spain
Tel: 01-504-2787
Fax: 01-504-2860

NEC Electronics (Germany) GmbH

Scandinavia Office
Taeby, Sweden
Tel: 08-63 80 820
Fax: 08-63 80 388

NEC Electronics Hong Kong Ltd.

Hong Kong
Tel: 2886-9318
Fax: 2886-9022/9044

NEC Electronics Hong Kong Ltd.

Seoul Branch
Seoul, Korea
Tel: 02-528-0303
Fax: 02-528-4411

NEC Electronics Singapore Pte. Ltd.

United Square, Singapore 1130
Tel: 253-8311
Fax: 250-3583

NEC Electronics Taiwan Ltd.

Taipei, Taiwan
Tel: 02-719-2377
Fax: 02-719-5951

NEC do Brasil S.A.

Cumbica-Guarulhos-SP, Brasil
Tel: 011-6465-6810
Fax: 011-6465-6829

Some related documents may be preliminary versions. Note that, however, what documents are preliminary is not indicated in this document.

The export of this product from Japan is regulated by the Japanese government. To export this product may be prohibited without governmental license, the need for which must be judged by the customer. The export or re-export of this product from a country other than Japan may also be prohibited without a license from that country. Please call an NEC sales representative.

No part of this document may be copied or reproduced in any form or by any means without the prior written consent of NEC Corporation. NEC Corporation assumes no responsibility for any errors which may appear in this document.

NEC Corporation does not assume any liability for infringement of patents, copyrights or other intellectual property rights of third parties by or arising from use of a device described herein or any other liability arising from use of such device. No license, either express, implied or otherwise, is granted under any patents, copyrights or other intellectual property rights of NEC Corporation or others.

While NEC Corporation has been making continuous effort to enhance the reliability of its semiconductor devices, the possibility of defects cannot be eliminated entirely. To minimize risks of damage or injury to persons or property arising from a defect in an NEC semiconductor device, customers must incorporate sufficient safety measures in its design, such as redundancy, fire-containment, and anti-failure features.

NEC devices are classified into the following three quality grades:

"Standard", "Special", and "Specific". The Specific quality grade applies only to devices developed based on a customer designated "quality assurance program" for a specific application. The recommended applications of a device depend on its quality grade, as indicated below. Customers must check the quality grade of each device before using it in a particular application.

Standard: Computers, office equipment, communications equipment, test and measurement equipment, audio and visual equipment, home electronic appliances, machine tools, personal electronic equipment and industrial robots

Special: Transportation equipment (automobiles, trains, ships, etc.), traffic control systems, anti-disaster systems, anti-crime systems, safety equipment and medical equipment (not specifically designed for life support)

Specific: Aircrafts, aerospace equipment, submersible repeaters, nuclear reactor control systems, life support systems or medical equipment for life support, etc.

The quality grade of NEC devices is "Standard" unless otherwise specified in NEC's Data Sheets or Data Books. If customers intend to use NEC devices for applications other than those specified for Standard quality grade, they should contact an NEC sales representative in advance.

Anti-radioactive design is not implemented in this product.