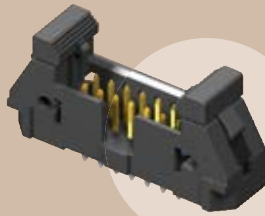


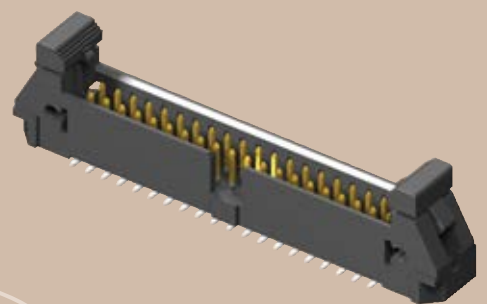
(2,54 mm) .100"

EJH SERIES

EJH-107-01-F-D-TH



EJH-120-01-L-D-SM



# SHROUDED IDC EJECTOR HEADERS

## SPECIFICATIONS

For complete specifications and recommended PCB layouts see [www.samtec.com?EJH](http://www.samtec.com?EJH)

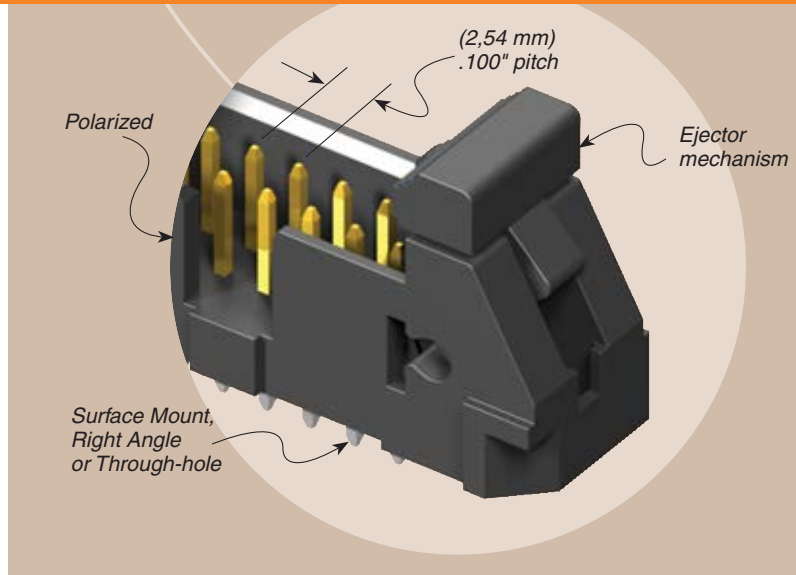
**Insulator Material:**  
Liquid Crystal Polymer



**Terminal Material:**  
Phosphor Bronze  
**Plating:**  
Sn or Au over 50µ" (1,27 µm) Ni  
**Current Rating:**  
3A per contact @ 80°C ambient  
**Operating Temp Range:**  
-55°C to +125°C  
**RoHS Compliant:**  
Yes

**Processing:**  
Lead-Free Solderable:  
Yes  
**SMT Lead Coplanarity:**  
(0,10 mm) .004" max

Mates with:  
IDSD



## APPLICATION SPECIFIC OPTION

-02 lead style  
Call Samtec.  
Mates to HCSD Series.  
See [www.samtec.com?HCSD](http://www.samtec.com?HCSD) for more information.

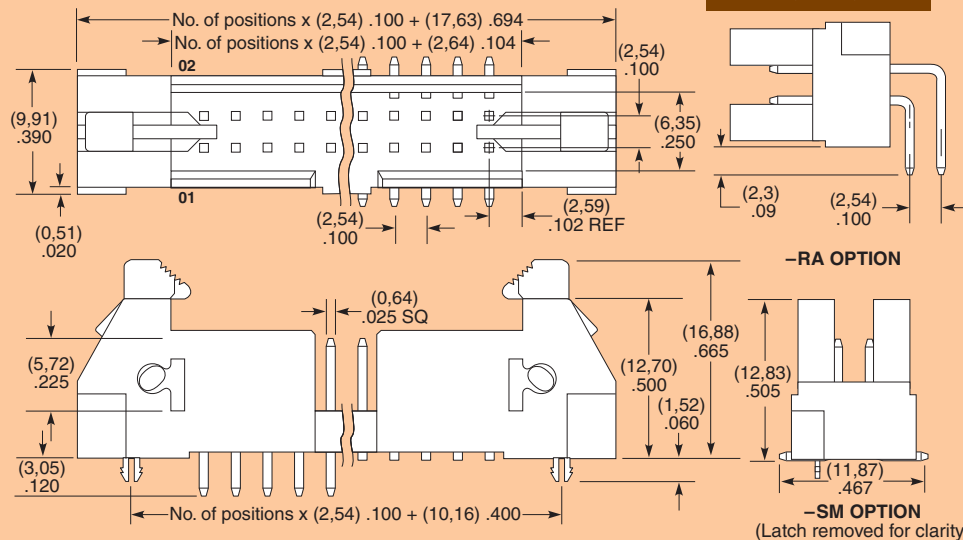
## EJH - 1 NO. PINS PER ROW - 01 - PLATING OPTION - D - TAIL OPTION - OTHER OPTION

05, 07, 08, 10,  
13, 15, 17, 20, 25  
(Call Samtec for other sizes.)

-F  
= Gold flash on post,  
Matte Tin on tail  
  
-L  
= 10µ" (0,25 µm) Gold on  
post, Matte Tin on tail

-SM  
= Surface Mount  
  
-TH  
= Through-hole  
  
-RA  
= Right Angle

- "XX"  
= Polarized  
Position  
  
-LC  
= Locking Clip  
(-SM only)  
(Manual  
placement  
required)  
  
-K  
= .475"  
(12,00 mm)  
DIA  
Polyimide  
Film Pick &  
Place Pad  
(-SM only)  
  
-P  
= Pick &  
Place Pad  
(-SM only)  
  
-TR  
= Tape & Reel  
Packaging  
(-SM only)  
25 position  
not available



**Note:** Other Gold plating options available. Contact Samtec.  
**Note:** Some lengths, styles and options are non-standard, non-returnable.

Due to technical progress, all designs, specifications and components are subject to change without notice.

[WWW.SAMTEC.COM](http://WWW.SAMTEC.COM)