

# Common Mode Inductors (with Header)

## Special Features

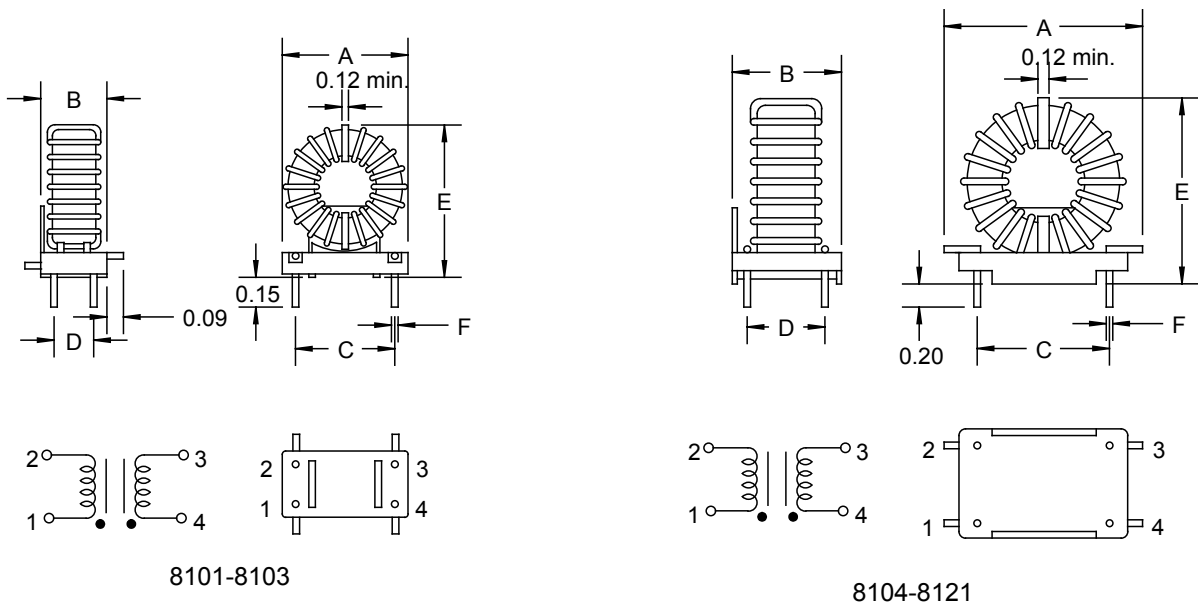
- Single layer wound
- Excellent EMI suppression capability over wide frequency spectrum
- High current capacity
- Dielectric strength: 1500Vrms
- Coil mount on VW-1 rated plastic header
- Fixed pin spacing allow easy PCB insertion
- Operating temperature: -55 - +105°C

## Notes

\* Rated current to cause approx. 35°C temperature rise

| 8100 Series |                          |                |                    |                |                 |                  |                  |                |                |
|-------------|--------------------------|----------------|--------------------|----------------|-----------------|------------------|------------------|----------------|----------------|
| Part Number | L (mH)<br>Min. @<br>1KHz | I (A)*<br>Max. | DCR<br>(Ω)<br>Max. | Dim. A<br>Max. | Dim. B<br>±0.01 | Dim. C<br>±0.015 | Dim. D<br>±0.015 | Dim. E<br>Max. | Dim. F<br>Max. |
| 8101        | 4                        | 1.7            | 0.173              | 0.76           | 0.425           | 0.600            | 0.250            | 0.90           | 0.040          |
| 8102        | 2.5                      | 2.4            | 0.09               | 0.76           | 0.425           | 0.600            | 0.250            | 0.90           | 0.040          |
| 8103        | 1                        | 4.8            | 0.022              | 0.76           | 0.425           | 0.600            | 0.250            | 0.90           | 0.040          |
| 8104        | 10                       | 2.4            | 0.17               | 1.20           | 0.60            | 0.800            | 0.400            | 1.20           | 0.050          |
| 8105        | 7                        | 2.8            | 0.12               | 1.20           | 0.60            | 0.800            | 0.400            | 1.20           | 0.050          |
| 8106        | 5                        | 3.7            | 0.07               | 1.20           | 0.60            | 0.800            | 0.400            | 1.20           | 0.050          |
| 8107        | 2                        | 6.6            | 0.022              | 1.20           | 0.60            | 0.800            | 0.400            | 1.20           | 0.050          |
| 8108        | 1                        | 10             | 0.01               | 1.20           | 0.60            | 0.800            | 0.400            | 1.20           | 0.050          |
| 8109        | 30                       | 2.3            | 0.33               | 1.35           | 0.80            | 0.900            | 0.600            | 1.45           | 0.050          |
| 8110        | 20                       | 2.9            | 0.21               | 1.35           | 0.80            | 0.900            | 0.600            | 1.45           | 0.050          |
| 8111        | 12                       | 4              | 0.11               | 1.35           | 0.80            | 0.900            | 0.600            | 1.45           | 0.050          |
| 8112        | 8                        | 5.6            | 0.055              | 1.35           | 0.80            | 0.900            | 0.600            | 1.45           | 0.050          |
| 8113        | 5                        | 8.9            | 0.022              | 1.45           | 0.80            | 0.900            | 0.600            | 1.50           | 0.043          |
| 8114        | 2.5                      | 12.5           | 0.011              | 1.45           | 0.80            | 0.900            | 0.600            | 1.50           | 0.053          |
| 8115        | 1.2                      | 16             | 0.006              | 1.50           | 0.80            | 0.900            | 0.600            | 1.53           | 0.060          |
| 8116        | 50                       | 2.3            | 0.45               | 1.55           | 0.80            | 0.900            | 0.600            | 1.65           | 0.050          |
| 8117        | 36                       | 2.9            | 0.3                | 1.55           | 0.80            | 0.900            | 0.600            | 1.65           | 0.050          |
| 8118        | 7.3                      | 9.3            | 0.032              | 1.65           | 0.80            | 0.900            | 0.600            | 1.65           | 0.043          |
| 8119        | 4                        | 14.5           | 0.012              | 1.70           | 0.90            | 1.200            | 0.700            | 1.65           | 0.060          |
| 8120        | 2.4                      | 17             | 0.008              | 1.70           | 0.90            | 1.200            | 0.700            | 1.65           | 0.067          |
| 8121        | 1                        | 20             | 0.007              | 1.70           | 0.90            | 1.200            | 0.700            | 1.65           | 0.067          |

Also available as RoHS compliant.



Dimensions: Inches

**J.W. Miller**  
MAGNETICS

306 E. Alondra Blvd. Gardena, CA 90247-1059 • Phone (310) 515-1720 • FAX (310) 515-1962

www.jwmiller.com