

CATALOG LISTING 11TS15 SERIES CHART 1

ISSUE 13

REVISIONS

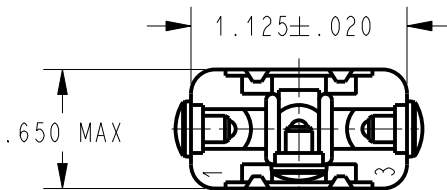
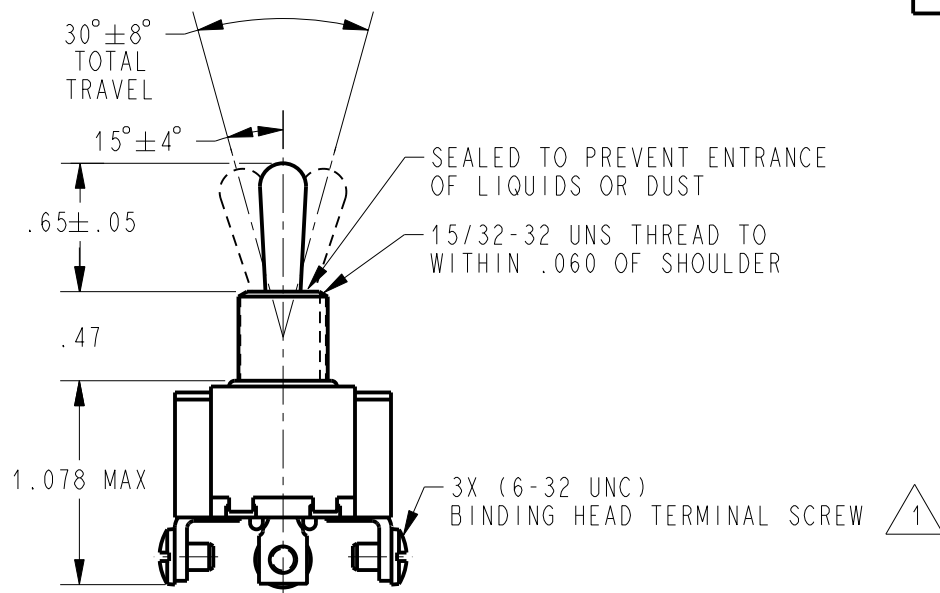
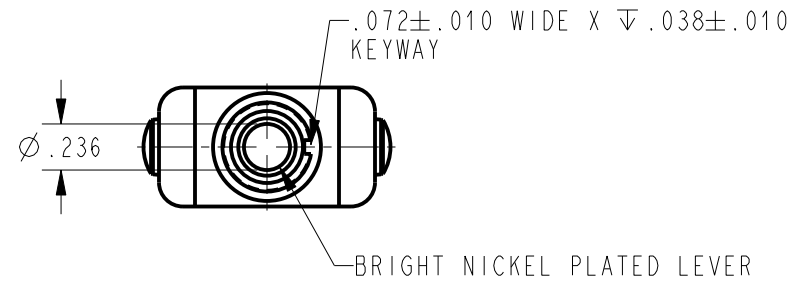
A	203922	KED	18SEP01
B	204980	JLH	26FEB02
C	0001201	JLH	20AUG03

CHECK

SAV	18 SEP 01
-----	-----------

PTC/CAD 2D
DRAWN KED 18SEP01

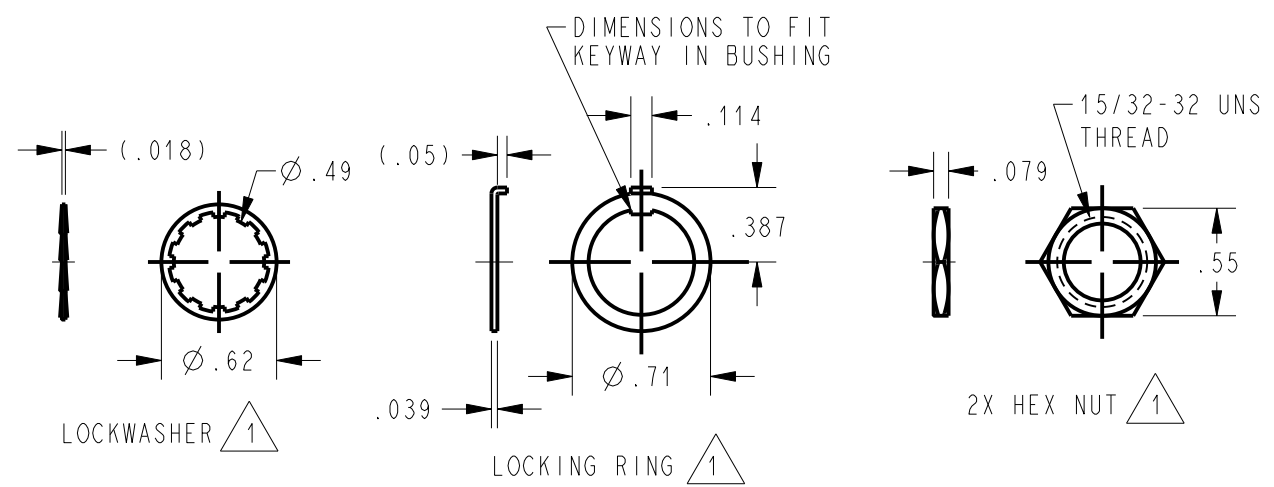
PAGE 1 OF 1
RELEASE NO. CO-29429 CO-31176



NOTE 1 FURNISHED UNASSEMBLED

CIRCUIT WITH TOGGLE IN				
CAT. LIST.	EXTREME POSITION KEYWAY SIDE 1-2	CENTER	EXTREME POSITION OPPOSITE SIDE 2-3	RELEASE NO.
11TS15-1	ON	OFF	ON	
11TS15-2	OFF	NONE	ON	
11TS15-3	ON	NONE	ON	
11TS15-4	MOM OFF	NONE	ON	PR-3311
11TS15-5	MOM ON	OFF	ON	PR-3124
11TS15-6	MOM ON	NONE	OFF	
11TS15-7	MOM ON	OFF	MOM ON	
11TS15-8	MOM ON	NONE	ON	PR-3811

ELECTRICAL DATA
L311
10A 277 VAC, 20A 125 VAC 3/4HP 125, 250 VAC



THIRD ANGLE PROJECTION	
SCALE	FULL
DO NOT SCALE PRINT	
UNLESS OTHERWISE SPECIFIED TOLERANCES ARE	
ONE PLACE	(.0) ±.030
TWO PLACE	(.00) ±.015
THREE PLACE	(.000) ±.005
ANGLES	±
WEIGHT	