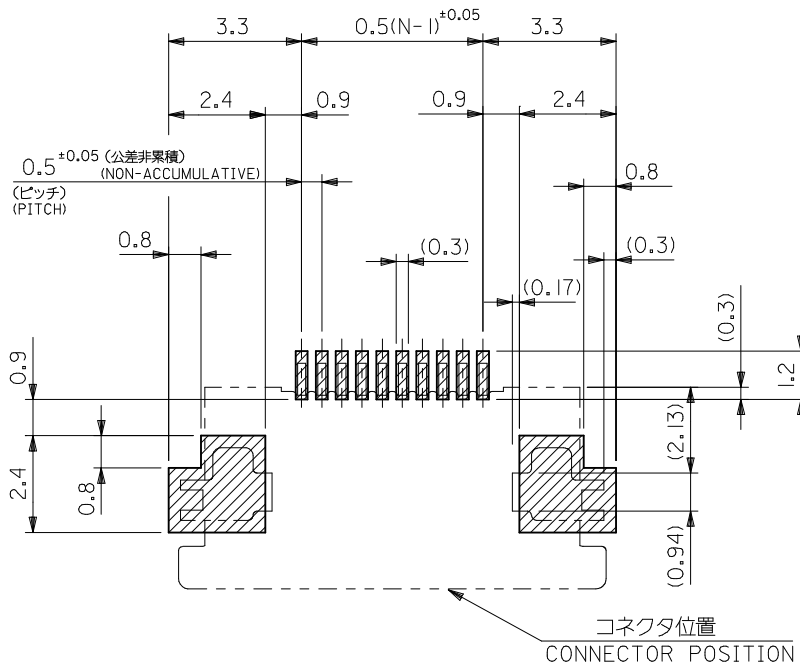
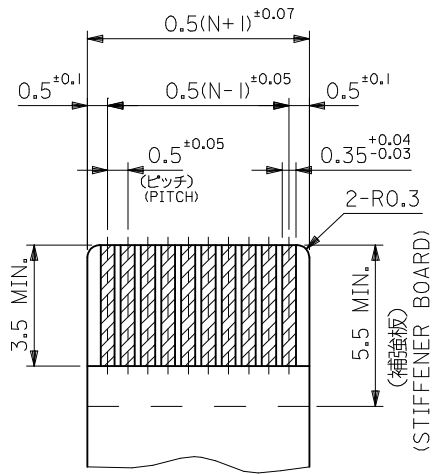


30.5	29.3	25.65	24.5	54132-5097	54132-5039	50
28.0	26.8	23.15	22.0	△ -4597	△ -4539	45
27.0	25.8	22.15	21.0	△ -4397	△ -4339	43
25.5	24.3	20.65	19.5	△ -4097	△ -4039	40
24.5	23.3	19.65	18.5	△ -3897	△ -3839	38
23.5	22.3	18.65	17.5	△ -3697	△ -3639	36
23.0	21.8	18.15	17.0	△ -3597	△ -3539	35
22.5	21.3	17.65	16.5	△ -3497	△ -3439	34
22.0	20.8	17.15	16.0	△ -3397	△ -3339	33
21.5	20.3	16.65	15.5	△ -3297	△ -3239	32
20.5	19.3	15.65	14.5	54132-3097	54132-3039	30
D	C	B	A	EMBOSSED TAPE ORDER No. オーター番号	MATERIAL. NO.	CKT.

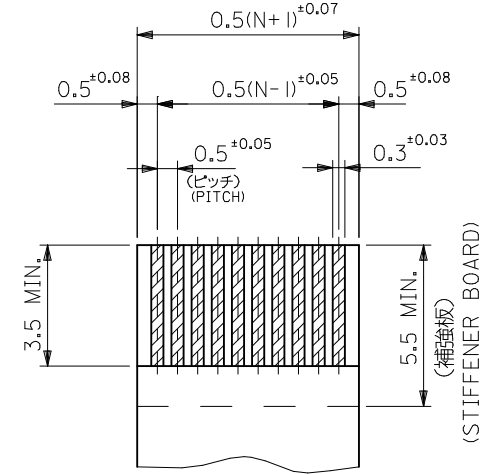
REVISED EC NO: J2008-4308 DRWN:MMABEI 2008/06/27 CHKD:THARUYAMA 2008/06/30 APPR:NIKI ITA 2008/06/30	GENERAL TOLERANCES (UNLESS SPECIFIED)		DIMENSION STYLE MM ONLY		SCALE ---	54132-***39	MODEL NO.
	10 UNDER	±0.2	DRAWN BY M. NABEI	DATE '03/12/15	TITLE	THIRD ANGLE PROJECTION	
	10 OVER 30 UNDER	±0.25	CHECKED BY M. SASAO	DATE '03/12/15	0.5 FPC CONN ZIF HOUSING ASSY FOR SMT -LEAD FREE- MOLEX INCORPORATED		
	30 OVER	±0.3	APPROVED BY M. SASAO	DATE '03/12/15			
ANGULAR ±3 °		MATERIAL NO.		DOCUMENT NO.	SHEET NO.		
DRAFT WHERE APPLICABLE MUST REMAIN WITHIN DIMENSIONS		SEE TABLE		SD-54132-060		1 OF 2	
		SIZE A3		THIS DRAWING CONTAINS INFORMATION THAT IS PROPRIETARY TO MOLEX INCORPORATED AND SHOULD NOT BE USED WITHOUT WRITTEN PERMISSION			



参考基板レイアウト
RECOMMENDED PC BOARD PATTERN DIMENSION(REF.)



適合FPC推奨寸法
APPLICABLE FPC RECOMMENDED DIMENSION



適合FFC推奨寸法
APPLICABLE FFC RECOMMENDED DIMENSION

注記
NOTES

1. 使用材料
MATERIAL : 46ナイロン, UL94V-0
HOUSING : 46NYLON
アクチュエーター
ACTUATOR : PPS, UL94V-0
ターミナル
TERMINAL : リン青銅 (t=0.2), 鍍・ピスマスメッキ 1.0~3.0 MICRO METER MIN.
ニッケル下地 1.0~3.0 MICRO METER MIN.
OVER NICKEL 1.0~3.0 MICRO METER MIN.
金具
FITTING NAIL : リン青銅 (t=0.2), 鍍メッキ 1.0~3.0 MICRO METER MIN.
ニッケル下地 1.0~3.0 MICRO METER MIN.
OVER NICKEL 1.0~3.0 MICRO METER MIN.

2. エンボステープ梱包時は、アクチュエーターがロックした状態とする。
IN THE PACKAGE, ACTUATOR OF PART NO.54132-**31 SHOULD BE LOCKED.
3. ソルダータール半田付け面のスレ量、及び金具半田付け面のスレ量は、基準面 田 に対し上方向0.1MAX、下方向0.15MAXとする。
MISALIGNMENT OF SOLDER TAILS AND FITTING NAIL FROM UPPER DIRECTION:0.1MAX, LOWER DIRECTION:0.15MAX.
4. 偶数個に適用
APPLY FOR EVEN CIRCUIT.
5. パターンはくり止め用金具
FITTING NAIL FOR PREVENTION OF PEELING OF P.C.B. PATTERN.
6. 本製品は54132-**31の鉛フリー品である。
THIS PRODUCT IS LEAD FREE OF 54132-**31

FPC/FFCについて

打抜き方向は導体側から補強板側を推奨いたします。
導体部については軟銅箔35マイクロメートルまたは50マイクロメートル
RECOMMENDED PUNCHER DIRECTION:
FROM CONDUCTOR SIDE TO STIFFENER BOARD SIDE.
RECOMMENDED CONDUCTOR SPEC.:
THICKNESS OF SOFT COPPER FOIL:
35 micrometer or 50 micrometer

54132-**39 MODEL NO.

REVISED EC NO: J2008-4308 DRWN: MABEI 2008/06/17 CHKD: THARUYAMA 2008/06/30 APPR: NUKITA 2008/06/30	GENERAL TOLERANCES (UNLESS SPECIFIED)		DIMENSION STYLE MM ONLY		SCALE ---	DESIGN UNITS METRIC	THIRD ANGLE PROJECTION
	10 UNDER	±0.2	DRAWN BY M. NABEI	DATE '03/12/15	TITLE 0.5 FPC CONN ZIF HOUSING ASSY FOR SMT -LEAD FREE-		
	10 OVER 30 UNDER	±0.25	CHECKED BY M. SASAO	DATE '03/12/15	MOLEX MOLEX INCORPORATED		
	30 OVER	±0.3	APPROVED BY M. SASAO	DATE '03/12/15	DOCUMENT NO. SD-54132-060	SHEET NO. 2 OF 2	
REV	DESCRIPTION	ANGULAR ±3 °	MATERIAL NO. SEE SHEET 1		THIS DRAWING CONTAINS INFORMATION THAT IS PROPRIETARY TO MOLEX INCORPORATED AND SHOULD NOT BE USED WITHOUT WRITTEN PERMISSION		
DRAFT WHERE APPLICABLE MUST REMAIN WITHIN DIMENSIONS							