



### Features

- Thin 5 mm square SMD
  - Three different operating forces
  - 0.8 mm height without knob (1.5 mm with knob)
  - Compatible with surface mount reflow soldering processes
- RoHS compliant\*

Model STJN-5 is currently available, although not recommended for new designs.

## STJN-5 SMD Thin Tact Switch

### Electrical Characteristics

Max. Power Rating .....12 VDC max., 50 mA  
 Contact Resistance .....100 milliohms max.  
 Insulation Resistance .....100 megohms min., 100 VDC  
 Dielectric Strength .....AC 250 V for 1 minute  
 Bounce  
 On .....3 ms max.  
 Off .....10 ms max.  
 Circuit .....N.O. SPST

### Mechanical Characteristics

Mechanical Life  
 100 gf + 160 gf .....500,000 cycles min.  
 260 gf .....200,000 cycles min.  
 Actuation Force  
 .....100 gf ±50 gf (1.0 N ±0.5 N)  
 .....160 gf ±50 gf (1.6 N ±0.5 N)  
 .....260 gf ±60 gf (2.6 N ±0.6 N)  
 Stroke .....0.25 mm +0.10/-0.20

### General Characteristics

Switch Type .....(N.O.) SPST  
 Operating Temperature Range .....-20 °C to +70 °C  
 Storage Temperature Range .....-40 °C to +85 °C

### How to Order

**STJ N - 5 08 - N TR**

Model \_\_\_\_\_  
 Thin SMD Tact Switch

Product Code \_\_\_\_\_  
 N = Non-washable

Size \_\_\_\_\_  
 5 = 5 mm

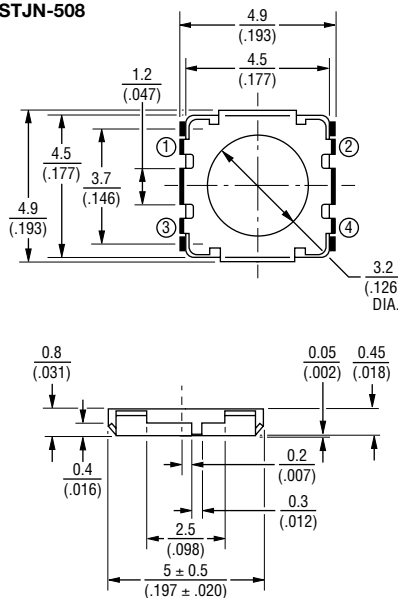
Height \_\_\_\_\_  
 08 = 0.8 mm (without knob)  
 15 = 1.5 mm (with knob)

Actuating Force \_\_\_\_\_  
 K = 100 gf (1.0 N)  
 N = 160 gf (1.6 N)  
 R = 260 gf (2.6 N)

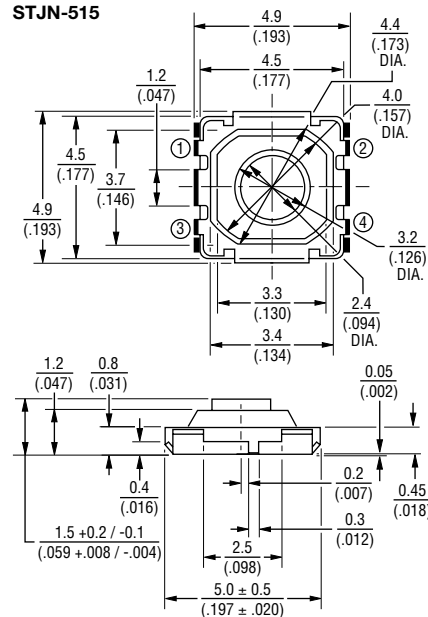
Packaging \_\_\_\_\_  
 TR = Embossed Tape  
 5,000 pcs./reel

### Product Dimensions

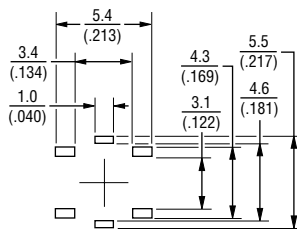
STJN-508



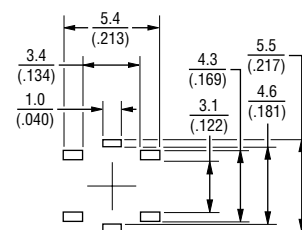
STJN-515



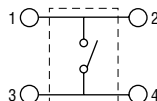
### Recommended PCB Layout



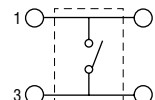
### Recommended PCB Layout



### Circuit Diagram



### Circuit Diagram



TOLERANCES: ±.38 EXCEPT WHERE NOTED.  
 DIMENSIONS:  $\frac{MM}{(IN)}$

### Reflow Soldering Profile

