

SPANSION™ MCP

Data Sheet



September 2003

This document specifies SPANSION™ memory products that are now offered by both Advanced Micro Devices and Fujitsu. Although the document is marked with the name of the company that originally developed the specification, these products will be offered to customers of both AMD and Fujitsu.

Continuity of Specifications

There is no change to this datasheet as a result of offering the device as a SPANSION™ product. Future routine revisions will occur when appropriate, and changes will be noted in a revision summary.

Continuity of Ordering Part Numbers

AMD and Fujitsu continue to support existing part numbers beginning with "Am" and "MBM". To order these products, please use only the Ordering Part Numbers listed in this document.

For More Information

Please contact your local AMD or Fujitsu sales office for additional information about SPANSION™ memory solutions.



Stacked MCP (Multi-Chip Package) FLASH MEMORY & SRAM
CMOS

64M (×16) FLASH MEMORY & 4M (×16) STATIC RAM

MB84VD23180FM-70

■ FEATURES

- Power supply voltage of 2.7 V to 3.1 V
- High performance
70 ns maximum access time (Flash)
70 ns maximum access time (SRAM)
- Operating Temperature
–30 °C to +85 °C
- Package 73-ball FBGA

(Continued)

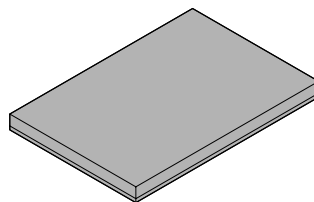
■ PRODUCT LINEUP

	Flash Memory	SRAM
Supply Voltage (V)	$V_{ccf}^* = 3.0 \text{ V} \begin{matrix} +0.1\text{V} \\ -0.3 \text{ V} \end{matrix}$	$V_{ccs}^* = 3.0 \text{ V} \begin{matrix} +0.1\text{V} \\ -0.3 \text{ V} \end{matrix}$
Max Address Access Time (ns)	70	70
Max $\overline{\text{CE}}$ Access Time (ns)	70	70
Max $\overline{\text{OE}}$ Access Time (ns)	30	35

*: Both V_{ccf} and V_{ccs} must be in recommended operation range when either part is being accessed.

■ PACKAGE

73-ball plastic FBGA



BGA-73P-M03

(Continued)

— FLASH MEMORY

- **Simultaneous Read/Write operations (Dual Bank)**

- **FlexBank™*1**

Bank A : 8 Mbit (8 KB × 8 and 64 KB × 15)

Bank B : 24 Mbit (64 KB × 48)

Bank C : 24 Mbit (64 KB × 48)

Bank D : 8 Mbit (8 KB × 8 and 64 KB × 15)

Two virtual Banks are chosen from the combination of four physical banks (Refer to “Example of Virtual Banks Combination table” and “Simultaneous Operation table”).

Host system can program or erase in one bank, and then read immediately and simultaneously from the other bank with zero latency between read and write operations.

Read-while-erase

Read-while-program

- **Single 3.0 V read, program, and erase**

Minimized system level power requirements

- **Minimum 100,000 program/erase cycles**

- **Sector erase architecture**

Sixteen 4 Kword and one hundred twenty-six 32 Kword sectors in word.

Any combination of sectors can be concurrently erased. It also supports full chip erase.

- **HiddenROM region**

256 byte of HiddenROM, accessible through a new “HiddenROM Enable” command sequence

Factory serialized and protected to provide a secure electronic serial number (ESN)

- **WP/ACC input pin**

At V_{IL} , allows protection of “outermost” 2×8 Kbytes on both ends of boot sectors, regardless of sector protection/unprotection status

At V_{IH} , allows removal of boot sector protection

At V_{ACC} , increases program performance

- **Embedded Erase™*2 Algorithms**

Automatically preprograms and erases the chip or any sector

- **Embedded Program™* Algorithms**

Automatically writes and verifies data at specified address

- **Data Polling and Toggle Bit feature for detection of program or erase cycle completion**

- **Ready/Busy output (RY/BY)**

Hardware method for detection of program or erase cycle completion

- **Automatic sleep mode**

When addresses remain stable, the device automatically switches itself to low power mode.

- **Low V_{ccf} write inhibit ≤ 2.5 V**

- **Program Suspend/Resume**

Suspends the program operation to allow a read in another byte

- **Erase Suspend/Resume**

Suspends the erase operation to allow a read data and/or program in another sector within the same device

- **Please refer to “MBM29DL64DF” data sheet in detailed function**

(Continued)

(Continued)

— **SRAM**

- **Power dissipation**

Operating : 40 mA Max

Standby : 10 μ A Max

- **Power down features using $\overline{\text{CE1}}$ s and CE2s**

- **Data retention supply voltage: 1.5 V to 3.1 V**

- **$\overline{\text{CE1}}$ s and CE2s Chip Select**

- **Byte data control: $\overline{\text{LB}}$ (DQ₇ to DQ₀), $\overline{\text{UB}}$ (DQ₁₅ to DQ₈)**

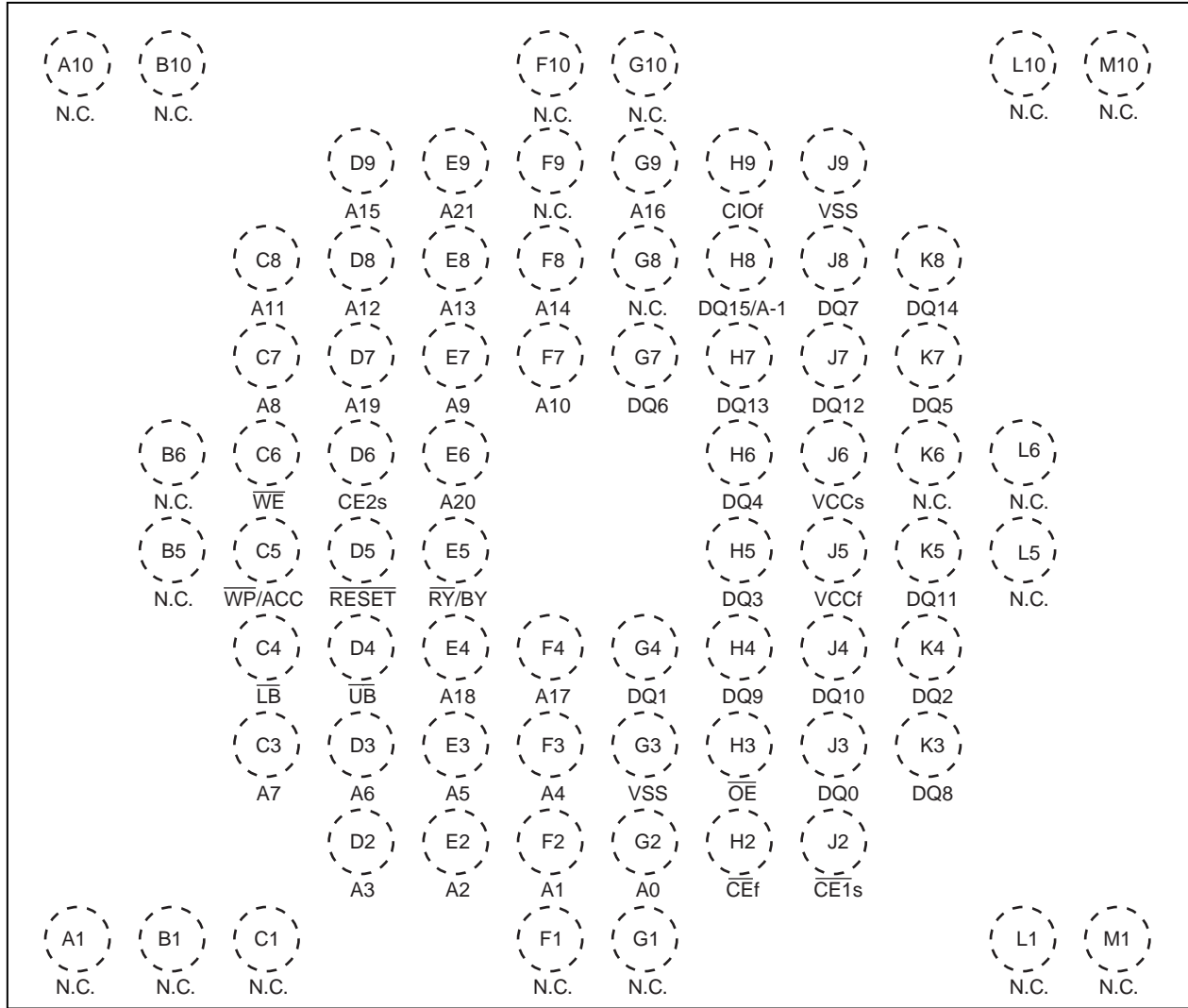
*1 : FlexBank™ is a trademark of Fujitsu Limited, Japan.

*2 : Embedded Erase™ and Embedded Program™ are trademarks of Advanced Micro Devices, Inc.

MB84VD23180FM-70

■ PIN ASSIGNMENT

(Top View)
Marking side



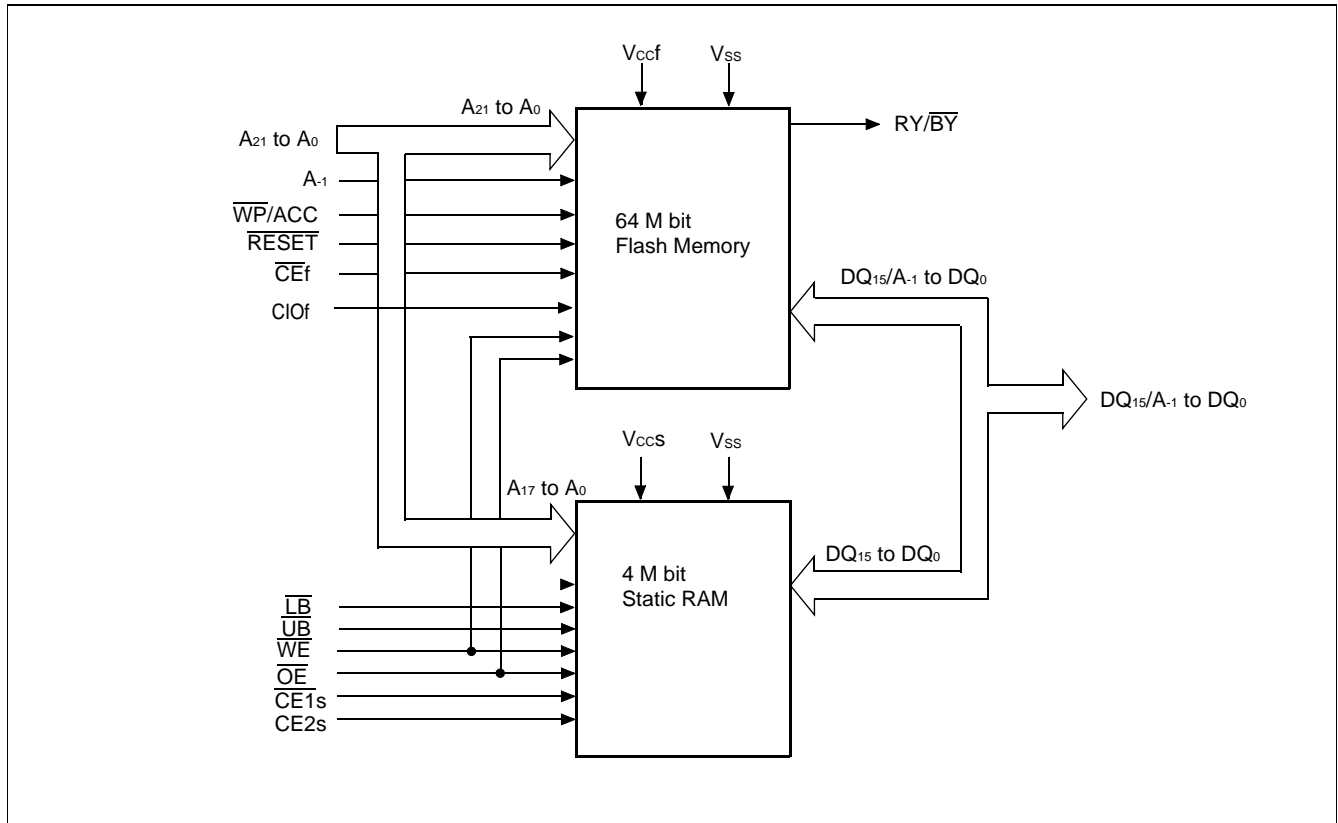
(BGA-73P-M03)

■ PIN DESCRIPTION

Pin name	Input/ Output	Description
A ₁₇ to A ₀	I	Address Inputs (Common)
A ₂₁ to A ₁₈ , A ₋₁	I	Address Inputs (Flash)
DQ ₁₅ to DQ ₀	I/O	Data Inputs/Outputs (Common)
$\overline{\text{CE}}_f$	I	Chip Enable (Flash)
$\overline{\text{CE}}_{1s}$	I	Chip Enable (SRAM)
CE _{2s}	I	Chip Enable (SRAM)
$\overline{\text{OE}}$	I	Output Enable (Common)
$\overline{\text{WE}}$	I	Write Enable (Common)
RY/ $\overline{\text{BY}}$	O	Ready/Busy Output (Flash) Open Drain Output
$\overline{\text{UB}}$	I	Upper Byte Control (SRAM)
$\overline{\text{LB}}$	I	Lower Byte Control (SRAM)
CIO _f	I	I/O Configuration (Flash) CIO _f = V _{ccf} is Word mode (×16), CIO _f = V _{ss} is Byte mode (×8)
$\overline{\text{RESET}}$	I	Hardware Reset Pin/Sector Protection Unlock (Flash)
$\overline{\text{WP}}/\text{ACC}$	I	Write Protect / Acceleration (Flash)
N.C.	—	No Internal Connection
V _{ss}	Power	Device Ground (Common)
V _{ccf}	Power	Device Power Supply (Flash)
V _{ccs}	Power	Device Power Supply (SRAM)

MB84VD23180FM-70

■ BLOCK DIAGRAM



■ DEVICE BUS OPERATIONS

User Bus Operations (Flash=Word mode; CIOf=V_{ccf})

Operation *1, *3	\overline{CEf}	$\overline{CE1s}$	CE2s	\overline{OE}	\overline{WE}	\overline{LB}	\overline{UB}	DQ ₇ to DQ ₀	DQ ₁₅ to DQ ₈	\overline{RESET}	$\overline{WP/ACC}$ *5
Full Standby	H	H	X	X	X	X	X	High-Z	High-Z	H	X
		X	L								
Output Disable	H	L	H	H	H	X	X	High-Z	High-Z	H	X
				X	X	H	H	High-Z	High-Z		
	L	H	X	H	H	X	X	High-Z	High-Z		
		X	L								
Read from Flash *2	L	H	X	L	H	X	X	D _{OUT}	D _{OUT}	H	X
		X	L								
Write to Flash	L	H	X	H	L	X	X	D _{IN}	D _{IN}	H	X
		X	L								
Read from SRAM	H	L	H	L	H	L	L	D _{OUT}	D _{OUT}	H	X
						H	L	High-Z	D _{OUT}		
						L	H	D _{OUT}	High-Z		
Write to SRAM	H	L	H	X	L	L	L	D _{IN}	D _{IN}	H	X
						H	L	High-Z	D _{IN}		
						L	H	D _{IN}	High-Z		
Temporary Sector Group Unprotection *4	X	X	X	X	X	X	X	X	X	V _{ID}	X
Flash Hardware Reset	X	H	X	X	X	X	X	High-Z	High-Z	L	X
		X	L								
Boot Block Sector Write Protection	X	X	X	X	X	X	X	X	X	X	L

Legend: L = V_{IL}, H = V_{IH}, X = V_{IL} or V_{IH}. See DC Characteristics for voltage levels.

*1 : Other operations except for indicated this column are inhibited.

*2 : \overline{WE} can be V_{IL} if \overline{OE} is V_{IL}, \overline{OE} at V_{IH} initiates the write operations.

*3 : Do not apply $\overline{CEf} = V_{IL}$, $\overline{CE1s} = V_{IL}$ and CE2s = V_{IH} at a time.

*4 : It is also used for the extended sector group protections.

*5 : Protect of 2 of 8 Kbytes on both ends of each boot sector.

MB84VD23180FM-70

User Bus Operations (Flash=Byte mode; CIOf=V_{ss})

Operation *1, *3	\overline{CEf}	$\overline{CE1s}$	CE2s	DQ _{15/A-1}	\overline{OE}	\overline{WE}	\overline{LB} (6)	\overline{UB} (6)	DQ ₀ to DQ ₇	DQ ₈ to DQ ₁₄	\overline{RESET}	$\overline{WP/ACC}$ *5
Full Standby	H	H	X	X	X	X	X	X	High-Z	High-Z	H	X
		X	L									
Output Disable	H	L	H	X	H	H	X	X	High-Z	High-Z	H	X
				X	X	H	H	High-Z	High-Z			
	L	H	X	A-1	H	H	X	X	High-Z	High-Z		
Read from Flash*2	L	H	X	A-1	L	H	X	X	D _{OUT}	X	H	X
		X	L									
Write to Flash	L	H	X	A-1	H	L	X	X	D _{IN}	X	H	X
		X	L									
Read from SRAM	H	L	H	X	L	H	X	X	D _{OUT}	High-Z	H	X
Write to SRAM	H	L	H	X	X	L	X	X	D _{IN}	High-Z	H	X
Temporary Sector Group Un-protection*4	X	X	X	X	X	X	X	X	X	X	V _{ID}	X
Flash Hardware Reset	X	H	X	X	X	X	X	X	High-Z	High-Z	L	X
		X	L									
Boot Block Sector Write Protection	X	X	X	X	X	X	X	X	X	X	X	L

Legend: L = V_{IL}, H = V_{IH}, X = V_{IL} or V_{IH}. See DC Characteristics for voltage levels.

*1 : Other operations except for indicated this column are inhibited.

*2 : \overline{WE} can be V_{IL} if \overline{OE} is V_{IL}, \overline{OE} at V_{IH} initiates the write operations.

*3 : Do not apply $\overline{CEf} = V_{IL}$, $\overline{CE1s} = V_{IL}$ and CE2s = V_{IH} at a time.

*4 : It is also used for the extended sector group protections.

*5 : Protect of 2 of 8 Kbytes on both ends of each boot sector.

■ ABSOLUTE MAXIMUM RATINGS

Parameter	Symbol	Rating		Unit
		Min	Max	
Storage Temperature	T _{stg}	-55	+125	°C
Ambient Temperature with Power Applied	T _a	-30	+85	°C
Voltage with Respect to Ground All pins except $\overline{\text{RESET}}$, $\overline{\text{WP/ACC}}$ *1	V _{IN} , V _{OUT}	-0.3	V _{ccf} + 0.3	V
			V _{ccs} + 0.3	V
V _{ccf} /V _{ccs} Supply *1	V _{ccf} , V _{ccs}	-0.3	+3.3	V
$\overline{\text{RESET}}$ *2	V _{IN}	-0.5	+ 13.0	V
$\overline{\text{WP/ACC}}$ *3	V _{IN}	-0.5	+10.5	V

*1: Minimum DC voltage on input or I/O pins is -0.3 V. During voltage transitions, input or I/O pins may undershoot V_{SS} to -2.0 V for periods of up to 20 ns. Maximum DC voltage on input or I/O pins is V_{ccf} + 0.3 V or V_{ccs} + 0.3 V. During voltage transitions, input or I/O pins may overshoot to V_{ccf} + 2.0 V or V_{ccs} + 2.0 V for periods of up to 20 ns.

*2: Minimum DC input voltage on $\overline{\text{RESET}}$ pin is -0.5 V. During voltage transitions, $\overline{\text{RESET}}$ pins may undershoot V_{SS} to -2.0 V for periods of up to 20 ns. Voltage difference between input and supply voltage (V_{IN}-V_{ccf} or V_{ccs}) does not exceed +9.0 V. Maximum DC input voltage on $\overline{\text{RESET}}$ pins is +13.0 V which may overshoot to +14.0 V for periods of up to 20 ns.

*3: Minimum DC input voltage on $\overline{\text{WP/ACC}}$ pin is -0.5 V. During voltage transitions, $\overline{\text{WP/ACC}}$ pin may undershoot V_{SS} to -2.0 V for periods of up to 20 ns. Maximum DC input voltage on $\overline{\text{WP/ACC}}$ pin is +10.5 V which may overshoot to +12.0 V for periods of up to 20 ns, when V_{ccf} is applied.

WARNING: Semiconductor devices can be permanently damaged by application of stress (voltage, current, temperature, etc.) in excess of absolute maximum ratings. Do not exceed these ratings.

■ RECOMMENDED OPERATING CONDITIONS

Parameter	Symbol	Value		Unit
		Min	Max	
Ambient Temperature	T _a	-30	+85	°C
V _{ccf} /V _{ccs} Supply Voltages	V _{ccf} , V _{ccs}	+2.7	+3.1	V

Note: Operating ranges define those limits between which the functionality of the device is guaranteed.

WARNING: The recommended operating conditions are required in order to ensure the normal operation of the semiconductor device. All of the device's electrical characteristics are warranted when the device is operated within these ranges.

Always use semiconductor devices within their recommended operating condition ranges. Operation outside these ranges may adversely affect reliability and could result in device failure.

No warranty is made with respect to uses, operating conditions, or combinations not represented on the data sheet. Users considering application outside the listed conditions are advised to contact their FUJITSU representatives beforehand.

MB84VD23180FM-70

■ ELECTRICAL CHARACTERISTICS

1. DC Characteristics

Parameter	Symbol	Conditions		Value			Unit	
				Min	Typ	Max		
Input Leakage Current	I_{LI}	$V_{IN} = V_{SS}$ to V_{CCf} , V_{CCS}		-1.0	—	+1.0	μA	
Output Leakage Current	I_{LO}	$V_{OUT} = V_{SS}$ to V_{CCf} , V_{CCS}		-1.0	—	+1.0	μA	
\overline{RESET} Inputs Leakage Current	I_{LIT}	$V_{CCf} = V_{CCf Max}$, $V_{CCS} = V_{CCS Max}$, $\overline{RESET} = 12.5 V$		—	—	35	μA	
Acc Input Leakage Current	I_{LIA}	$V_{CCf} = V_{CCf Max}$, $V_{CCS} = V_{CCS Max}$, $\overline{WP/ACC} = V_{ACC Max}$		—	—	20	mA	
Flash V_{CC} Active Current (Read) *1	I_{CC1f}	$\overline{CEf} = V_{IL}$, $\overline{OE} = V_{IH}$	$t_{CYCLE} = 5 MHz$	Word	—	—	18	mA
			$t_{CYCLE} = 1 MHz$	Word	—	—	4	
			$t_{CYCLE} = 5 MHz$	Byte	—	—	16	mA
			$t_{CYCLE} = 1 MHz$	Byte	—	—	4	mA
Flash V_{CC} Active Current (Program/Erase) *2	I_{CC2f}	$\overline{CEf} = V_{IL}$, $\overline{OE} = V_{IH}$		—	—	30	mA	
Flash V_{CC} Active Current (Read-While-Program) *5	I_{CC3f}	$\overline{CEf} = V_{IL}$, $\overline{OE} = V_{IH}$	Word	—	—	48	mA	
			Byte	—	—	46	mA	
Flash V_{CC} Active Current (Read-While-Erase) *5	I_{CC4f}	$\overline{CEf} = V_{IL}$, $\overline{OE} = V_{IH}$	Word	—	—	48	mA	
			Byte	—	—	46	mA	
Flash V_{CC} Active Current (Erase-Suspend-Program)	I_{CC5f}	$\overline{CEf} = V_{IL}$, $\overline{OE} = V_{IH}$		—	—	30	mA	
SRAM V_{CC} Active Current	I_{CC1S}	$V_{CCS} = V_{CCS Max}$, $\overline{CE1s} = V_{IL}$, $\overline{CE2s} = V_{IH}$	$t_{CYCLE} = 10 MHz$		—	—	40	mA
SRAM V_{CC} Active Current	I_{CC2S}	$\overline{CE1s} = 0.2 V$, $\overline{CE2s} = V_{CCS} - 0.2 V$	$t_{CYCLE} = 10 MHz$		—	—	40	mA
			$t_{CYCLE} = 1 MHz$		—	—	8	mA
Flash V_{CC} Standby Current	I_{SB1f}	$V_{CCf} = V_{CCf Max}$, $\overline{CEf} = V_{CCf} \pm 0.3 V$ $\overline{RESET} = V_{CCf} \pm 0.3 V$, $\overline{WP/ACC} = V_{CCf} \pm 0.3 V$		—	1	5	μA	
Flash V_{CC} Standby Current (RESET)	I_{SB2f}	$V_{CCf} = V_{CCf Max}$, $\overline{RESET} = V_{SS} \pm 0.3 V$, $\overline{WP/ACC} = V_{CCf} \pm 0.3 V$		—	1	5	μA	
Flash V_{CC} Current (Automatic Sleep Mode) *3	I_{SB3f}	$V_{CCf} = V_{CCf Max}$, $\overline{CEf} = V_{SS} \pm 0.3 V$ $\overline{RESET} = V_{CCf} \pm 0.3 V$, $\overline{WP/ACC} = V_{CCf} \pm 0.3 V$, $V_{IN} = V_{CCf} \pm 0.3 V$ or $V_{SS} \pm 0.3 V$		—	1	5	μA	
SRAM V_{CC} Standby Current	I_{SB1S}	$\overline{CE1s} \geq V_{CCS} - 0.2 V$, $\overline{CE2s} \geq V_{CCS} - 0.2 V$ $\overline{LB} = \overline{UB} \geq V_{CCS} - 0.2 V$ or $\leq 0.2 V$		—	—	10	μA	
SRAM V_{CC} Standby Current	I_{SB2S}	$\overline{CE1s} \geq V_{CCS} - 0.2 V$ or $\leq 0.2 V$, $\overline{CE2s} \leq 0.2 V$ $\overline{LB} = \overline{UB} \geq V_{CCS} - 0.2 V$ or $\leq 0.2 V$		—	—	10	μA	

(Continued)

(Continued)

Parameter	Symbol	Conditions		Value			Unit
				Min	Typ	Max	
Input Low Level	V _{IL}	—		-0.3	—	0.5	V
Input High Level	V _{IH}	—		2.4	—	V _{CC} +0.3 ^{*6}	V
Voltage for Sector Protection, and Temporary Sector Unprotection ($\overline{\text{RESET}}$) ^{*4}	V _{ID}	—		11.5	12	12.5	V
Voltage for Program Acceleration ($\overline{\text{WP/ACC}}$) ^{*4}	V _{ACC}	—		8.5	9.0	9.5	V
Output Low Voltage Level	V _{OL}	V _{CCF} = V _{CCF} Min, I _{OL} =4.0 mA	Flash	—	—	0.45	V
		V _{CCS} = V _{CCS} Min, I _{OL} =1.0 mA	SRAM	—	—	0.4	V
Output High Voltage Level	V _{OH}	V _{CCF} = V _{CCF} Min, I _{OH} =-0.1 mA	Flash	0.85x V _{CCF}	—	—	V
		V _{CCS} = V _{CCS} Min, I _{OH} =-0.5 mA	SRAM	2.2	—	—	V
Flash Low V _{CCF} Lock-Out Voltage	V _{LKO}	—		2.3	2.4	2.5	V

*1: The I_{CC} current listed includes both the DC operating current and the frequency dependent component.

*2: I_{CC} active while Embedded Algorithm (program or erase) is in progress.

*3: Automatic sleep mode enables the low power mode when address remains stable for 150 ns.

*4: Applicable for only V_{CCF} applying.

*5: Embedded Algorithm (program or erase) is in progress. (@5 MHz)

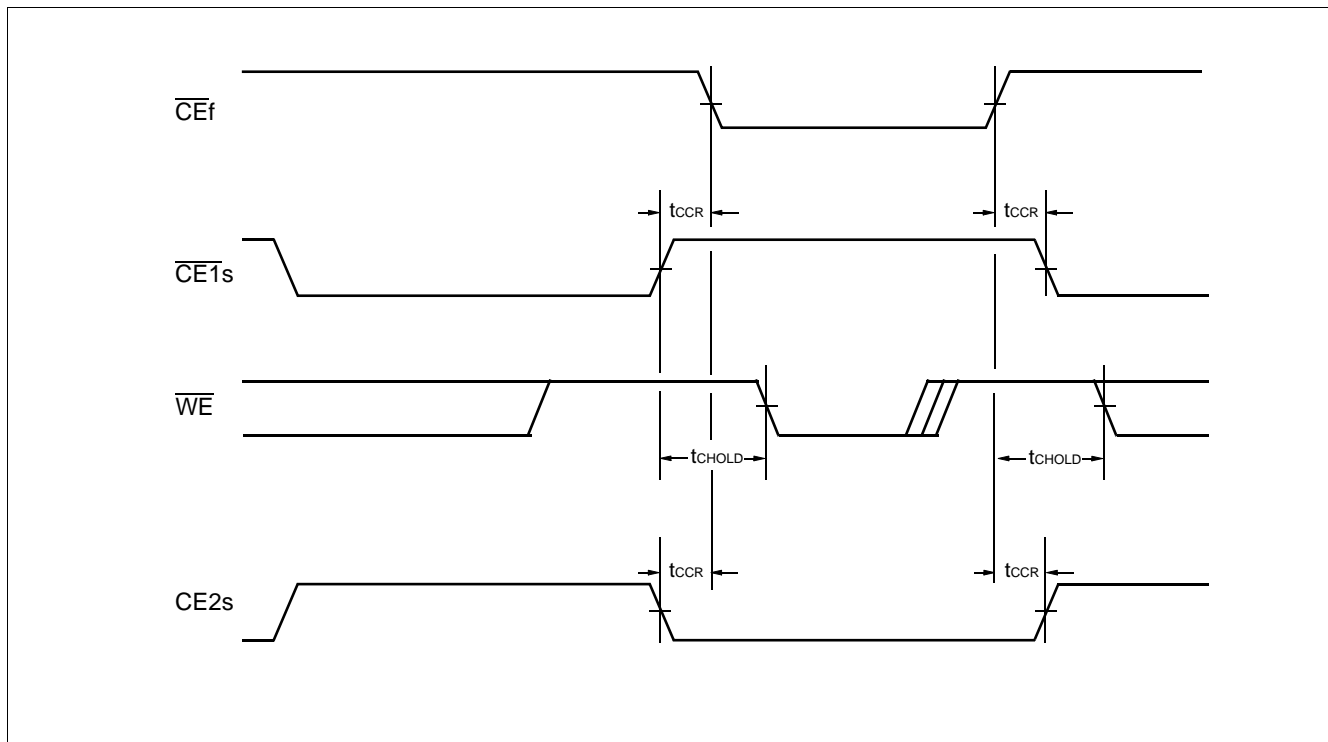
*6: V_{CC} indicates lower of V_{CCF} or V_{CCS}.

2. AC Characteristics

• CE Timing

Parameter	Symbol		Condition	Value		Unit
	JEDEC	Standard		Min	Max	
$\overline{\text{CE}}$ Recover Time	—	t_{CCR}	—	0	—	ns
$\overline{\text{CE}}$ Hold Time	—	t_{CHOLD}	—	3	—	ns

• Timing Diagram for alternating SRAM to Flash



• Flash characteristics

Please refer to “■ 64M FLASH MEMORY CHARACTERISTICS for MCP” part.

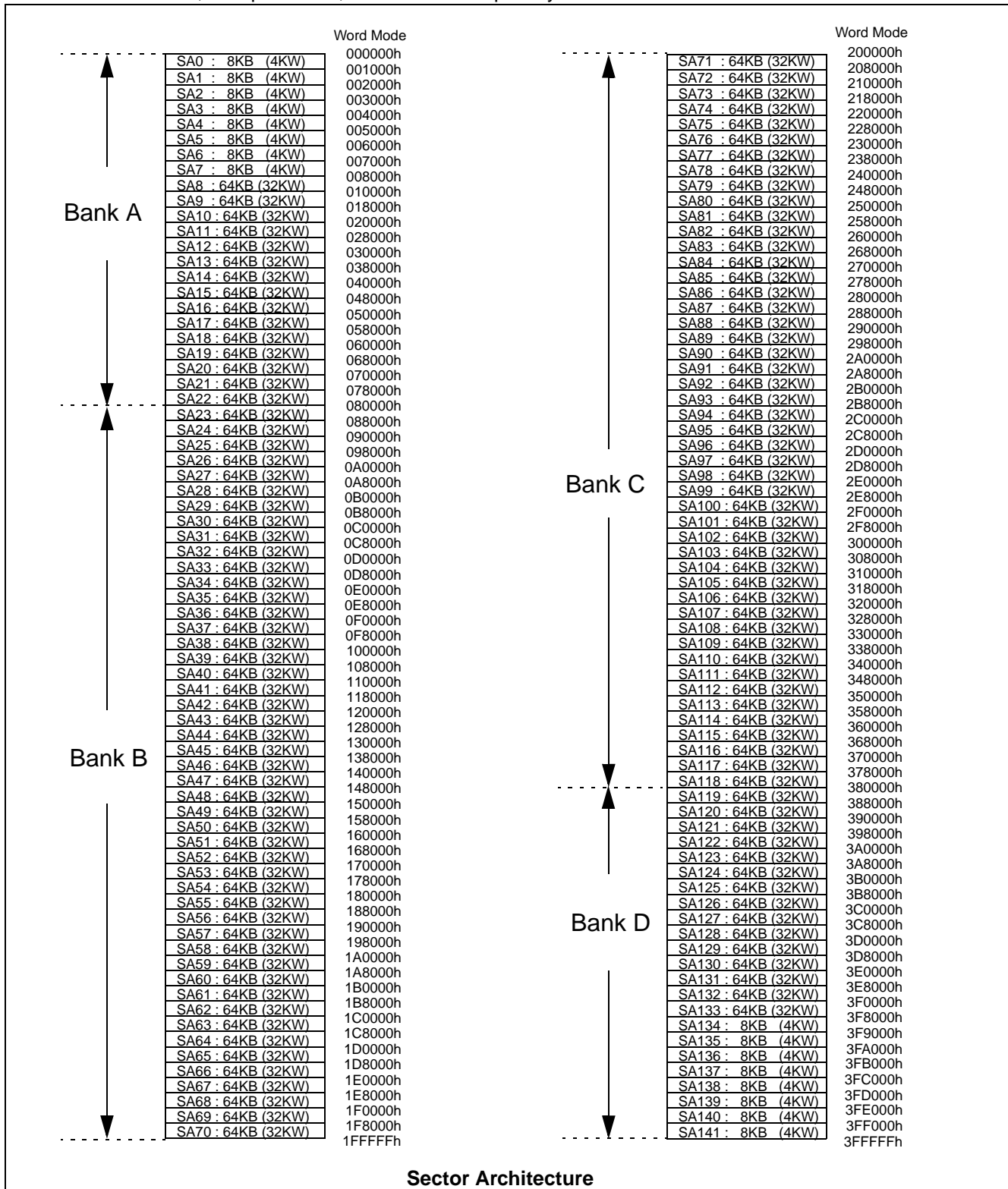
• SRAM characteristics

Please refer to “■ 4M SRAM MEMORY CHARACTERISTICS for MCP” part.

■ 64M FLASH MEMORY FOR MCP

1. Flexible Sector-erase Architecture on Flash Memory

- Sixteen 4K words, and one hundred twenty-six 32 K words.
- Individual-sector, multiple-sector, or bulk-erase capability.



MB84VD23180FM-70

FlexBank™ Architecture

Bank Splits	Bank 1		Bank 2	
	Volume	Combination	Volume	Combination
1	8 Mbit	Bank A	56 Mbit	Remainder (Bank B, C, D)
2	24 Mbit	Bank B	40 Mbit	Remainder (Bank A, C, D)
3	24 Mbit	Bank C	40 Mbit	Remainder (Bank A, B, D)
4	8 Mbit	Bank D	56 Mbit	Remainder (Bank A, B, C)

Example of Virtual Banks Combination

Bank Splits	Bank 1			Bank 2		
	Volume	Combination	Sector Size	Volume	Combination	Sector Size
1	8 Mbit	Bank A	8 × 8 Kbyte/4 Kword + 15 × 64 Kbyte/32 Kword	56 Mbit	Bank B + Bank C + Bank D	8 × 8 Kbyte/4 Kword + 111 × 64 Kbyte/32 Kword
2	16 Mbit	Bank A + Bank D	16 × 8 Kbyte/4 Kword + 30 × 64 Kbyte/32 Kword	48 Mbit	Bank B + Bank C	96 × 64 Kbyte/32 Kword
3	24 Mbit	Bank B	48 × 64 Kbyte/32 Kword	40 Mbit	Bank A + Bank C + Bank D	16 × 8 Kbyte/4 Kword + 78 × 64 Kbyte/32 Kword
4	32 Mbit	Bank A + Bank B	8 × 8 Kbyte/4 Kword + 63 × 64 Kbyte/32 Kword	32 Mbit	Bank C + Bank D	8 × 8 Kbyte/4 Kword + 63 × 64 Kbyte/32 Kword

Note : When multiple sector erase over several banks is operated, the system cannot read out of the bank to which a sector being erased belongs. For example, suppose that erasing is taking place at both Bank A and Bank B, neither Bank A nor Bank B is read out (they would output the sequence flag once they were selected.) Meanwhile the system would get to read from either Bank C or Bank D.

Simultaneous Operation

Case	Bank 1 Status	Bank 2 Status
1	Read mode	Read mode
2	Read mode	Autoselect mode
3	Read mode	Program mode
4	Read mode	Erase mode *
5	Autoselect mode	Read mode
6	Program mode	Read mode
7	Erase mode *	Read mode

* : By writing erase suspend command on the bank address of sector being erased, the erase operation gets suspended so that it enables reading from or programming the remaining sectors.

Note: Bank 1 and Bank 2 are divided for the sake of convenience at Simultaneous Operation. Actually, the Bank consists of 4 banks, Bank A, Bank B, BankC and Bank D. Bank Address (BA) meant to specify each of the Banks.

Sector Address Tables

Bank	Sector	Sector Address										Address Range
		Bank Address										Word Mode
		A ₂₁	A ₂₀	A ₁₉	A ₁₈	A ₁₇	A ₁₆	A ₁₅	A ₁₄	A ₁₃	A ₁₂	
Bank A	SA0	0	0	0	0	0	0	0	0	0	0	000000h to 000FFFh
	SA1	0	0	0	0	0	0	0	0	0	1	001000h to 001FFFh
	SA2	0	0	0	0	0	0	0	0	1	0	002000h to 002FFFh
	SA3	0	0	0	0	0	0	0	0	1	1	003000h to 003FFFh
	SA4	0	0	0	0	0	0	0	1	0	0	004000h to 004FFFh
	SA5	0	0	0	0	0	0	0	1	0	1	005000h to 005FFFh
	SA6	0	0	0	0	0	0	0	1	1	0	006000h to 006FFFh
	SA7	0	0	0	0	0	0	0	1	1	1	007000h to 007FFFh
	SA8	0	0	0	0	0	0	1	X	X	X	008000h to 00FFFFh
	SA9	0	0	0	0	0	1	0	X	X	X	010000h to 017FFFh
	SA10	0	0	0	0	0	1	1	X	X	X	018000h to 01FFFFh
	SA11	0	0	0	0	1	0	0	X	X	X	020000h to 027FFFh
	SA12	0	0	0	0	1	0	1	X	X	X	028000h to 02FFFFh
	SA13	0	0	0	0	1	1	0	X	X	X	030000h to 037FFFh
	SA14	0	0	0	0	1	1	1	X	X	X	038000h to 03FFFFh
	SA15	0	0	0	1	0	0	0	X	X	X	040000h to 047FFFh
	SA16	0	0	0	1	0	0	1	X	X	X	048000h to 04FFFFh
	SA17	0	0	0	1	0	1	0	X	X	X	050000h to 057FFFh
	SA18	0	0	0	1	0	1	1	X	X	X	058000h to 05FFFFh
	SA19	0	0	0	1	1	0	0	X	X	X	060000h to 067FFFh
	SA20	0	0	0	1	1	0	1	X	X	X	068000h to 06FFFFh
	SA21	0	0	0	1	1	1	0	X	X	X	070000h to 077FFFh
SA22	0	0	0	1	1	1	1	X	X	X	078000h to 07FFFFh	

(Continued)

MB84VD23180FM-70

(Continued)

Bank	Sector	Sector Address										Address Range
		Bank Address										Word Mode
		A ₂₁	A ₂₀	A ₁₉	A ₁₈	A ₁₇	A ₁₆	A ₁₅	A ₁₄	A ₁₃	A ₁₂	
Bank B	SA23	0	0	1	0	0	0	0	X	X	X	08000h to 087FFFh
	SA24	0	0	1	0	0	0	1	X	X	X	08800h to 08FFFFh
	SA25	0	0	1	0	0	1	0	X	X	X	09000h to 097FFFh
	SA26	0	0	1	0	0	1	1	X	X	X	09800h to 09FFFFh
	SA27	0	0	1	0	1	0	0	X	X	X	0A000h to 0A7FFFh
	SA28	0	0	1	0	1	0	1	X	X	X	0A800h to 0AFFFFh
	SA29	0	0	1	0	1	1	0	X	X	X	0B000h to 0B7FFFh
	SA30	0	0	1	0	1	1	1	X	X	X	0B800h to 0BFFFFh
	SA31	0	0	1	1	0	0	0	X	X	X	0C000h to 0C7FFFh
	SA32	0	0	1	1	0	0	1	X	X	X	0C800h to 0CFFFFh
	SA33	0	0	1	1	0	1	0	X	X	X	0D000h to 0D7FFFh
	SA34	0	0	1	1	0	1	1	X	X	X	0D800h to 0DFFFFh
	SA35	0	0	1	1	1	0	0	X	X	X	0E000h to 0E7FFFh
	SA36	0	0	1	1	1	0	1	X	X	X	0E800h to 0EFFFFh
	SA37	0	0	1	1	1	1	0	X	X	X	0F000h to 0F7FFFh
	SA38	0	0	1	1	1	1	1	X	X	X	0F800h to 0FFFFh
	SA39	0	1	0	0	0	0	0	X	X	X	10000h to 107FFFh
	SA40	0	1	0	0	0	0	1	X	X	X	10800h to 10FFFFh
	SA41	0	1	0	0	0	1	0	X	X	X	11000h to 117FFFh
	SA42	0	1	0	0	0	1	1	X	X	X	11800h to 11FFFFh
	SA43	0	1	0	0	1	0	0	X	X	X	12000h to 127FFFh
	SA44	0	1	0	0	1	0	1	X	X	X	12800h to 12FFFFh
	SA45	0	1	0	0	1	1	0	X	X	X	13000h to 137FFFh
	SA46	0	1	0	0	1	1	1	X	X	X	13800h to 13FFFFh
	SA47	0	1	0	1	0	0	0	X	X	X	14000h to 147FFFh
	SA48	0	1	0	1	0	0	1	X	X	X	14800h to 14FFFFh
	SA49	0	1	0	1	0	1	0	X	X	X	15000h to 157FFFh
	SA50	0	1	0	1	0	1	1	X	X	X	15800h to 15FFFFh
	SA51	0	1	0	1	1	0	0	X	X	X	16000h to 167FFFh
	SA52	0	1	0	1	1	0	1	X	X	X	16800h to 16FFFFh
SA53	0	1	0	1	1	1	0	X	X	X	17000h to 177FFFh	
SA54	0	1	0	1	1	1	1	X	X	X	17800h to 17FFFFh	
SA55	0	1	1	0	0	0	0	X	X	X	18000h to 187FFFh	
SA56	0	1	1	0	0	0	1	X	X	X	18800h to 18FFFFh	
SA57	0	1	1	0	0	1	0	X	X	X	19000h to 197FFFh	
SA58	0	1	1	0	0	1	1	X	X	X	19800h to 19FFFFh	
SA59	0	1	1	0	1	0	0	X	X	X	1A000h to 1A7FFFh	
SA60	0	1	1	0	1	0	1	X	X	X	1A800h to 1AFFFFh	
SA61	0	1	1	0	1	1	0	X	X	X	1B000h to 1B7FFFh	
SA62	0	1	1	0	1	1	1	X	X	X	1B800h to 1BFFFFh	
SA63	0	1	1	1	0	0	0	X	X	X	1C000h to 1C7FFFh	
SA64	0	1	1	1	0	0	1	X	X	X	1C800h to 1CFFFFh	
SA65	0	1	1	1	0	1	0	X	X	X	1D000h to 1D7FFFh	
SA66	0	1	1	1	0	1	1	X	X	X	1D800h to 1DFFFFh	
SA67	0	1	1	1	1	0	0	X	X	X	1E000h to 1E7FFFh	
SA68	0	1	1	1	1	0	1	X	X	X	1E800h to 1EFFFFh	
SA69	0	1	1	1	1	1	0	X	X	X	1F000h to 1F7FFFh	
SA70	0	1	1	1	1	1	1	X	X	X	1F800h to 1FFFFh	

(Continued)

(Continued)

Bank	Sector	Sector Address										Address Range
		Bank Address			Word Mode							Address Range
		A ₂₁	A ₂₀	A ₁₉	A ₁₈	A ₁₇	A ₁₆	A ₁₅	A ₁₄	A ₁₃	A ₁₂	
Bank C	SA71	1	0	0	0	0	0	0	X	X	X	20000h to 207FFFh
	SA72	1	0	0	0	0	0	1	X	X	X	20800h to 20FFFFh
	SA73	1	0	0	0	0	1	0	X	X	X	21000h to 217FFFh
	SA74	1	0	0	0	0	1	1	X	X	X	21800h to 21FFFFh
	SA75	1	0	0	0	1	0	0	X	X	X	22000h to 227FFFh
	SA76	1	0	0	0	1	0	1	X	X	X	22800h to 22FFFFh
	SA77	1	0	0	0	1	1	0	X	X	X	23000h to 237FFFh
	SA78	1	0	0	0	1	1	1	X	X	X	23800h to 23FFFFh
	SA79	1	0	0	1	0	0	0	X	X	X	24000h to 247FFFh
	SA80	1	0	0	1	0	0	1	X	X	X	24800h to 24FFFFh
	SA81	1	0	0	1	0	1	0	X	X	X	25000h to 257FFFh
	SA82	1	0	0	1	0	1	1	X	X	X	25800h to 25FFFFh
	SA83	1	0	0	1	1	0	0	X	X	X	26000h to 267FFFh
	SA84	1	0	0	1	1	0	1	X	X	X	26800h to 26FFFFh
	SA85	1	0	0	1	1	1	0	X	X	X	27000h to 277FFFh
	SA86	1	0	0	1	1	1	1	X	X	X	27800h to 27FFFFh
	SA87	1	0	1	0	0	0	0	X	X	X	28000h to 287FFFh
	SA88	1	0	1	0	0	0	1	X	X	X	28800h to 28FFFFh
	SA89	1	0	1	0	0	1	0	X	X	X	29000h to 297FFFh
	SA90	1	0	1	0	0	1	1	X	X	X	29800h to 29FFFFh
	SA91	1	0	1	0	1	0	0	X	X	X	2A000h to 2A7FFFh
	SA92	1	0	1	0	1	0	1	X	X	X	2A800h to 2AFFFFh
	SA93	1	0	1	0	1	1	0	X	X	X	2B000h to 2B7FFFh
	SA94	1	0	1	0	1	1	1	X	X	X	2B800h to 2BFFFFh
	SA95	1	0	1	1	0	0	0	X	X	X	2C000h to 2C7FFFh
	SA96	1	0	1	1	0	0	1	X	X	X	2C800h to 2CFFFFh
	SA97	1	0	1	1	0	1	0	X	X	X	2D000h to 2D7FFFh
	SA98	1	0	1	1	0	1	1	X	X	X	2D800h to 2DFFFFh
SA99	1	0	1	1	1	0	0	X	X	X	2E000h to 2E7FFFh	
SA100	1	0	1	1	1	0	1	X	X	X	2E800h to 2EFFFFh	
SA101	1	0	1	1	1	1	0	X	X	X	2F000h to 2F7FFFh	
SA102	1	0	1	1	1	1	1	X	X	X	2F800h to 2FFFFh	
SA103	1	1	0	0	0	0	0	X	X	X	30000h to 307FFFh	
SA104	1	1	0	0	0	0	1	X	X	X	30800h to 30FFFFh	
SA105	1	1	0	0	0	1	0	X	X	X	31000h to 317FFFh	
SA106	1	1	0	0	0	1	1	X	X	X	31800h to 31FFFFh	
SA107	1	1	0	0	1	0	0	X	X	X	32000h to 327FFFh	
SA108	1	1	0	0	1	0	1	X	X	X	32800h to 32FFFFh	
SA109	1	1	0	0	1	1	0	X	X	X	33000h to 337FFFh	
SA110	1	1	0	0	1	1	1	X	X	X	33800h to 33FFFFh	
SA111	1	1	0	1	0	0	0	X	X	X	34000h to 347FFFh	
SA112	1	1	0	1	0	0	1	X	X	X	34800h to 34FFFFh	
SA113	1	1	0	1	0	1	0	X	X	X	35000h to 357FFFh	
SA114	1	1	0	1	0	1	1	X	X	X	35800h to 35FFFFh	
SA115	1	1	0	1	1	0	0	X	X	X	36000h to 367FFFh	
SA116	1	1	0	1	1	0	1	X	X	X	36800h to 36FFFFh	
SA117	1	1	0	1	1	1	0	X	X	X	37000h to 377FFFh	
SA118	1	1	0	1	1	1	1	X	X	X	37800h to 37FFFFh	

(Continued)

MB84VD23180FM-70

(Continued)

Bank	Sector	Sector Address										Address Range
		Bank Address										Word Mode
		A ₂₁	A ₂₀	A ₁₉	A ₁₈	A ₁₇	A ₁₆	A ₁₅	A ₁₄	A ₁₃	A ₁₂	
Bank D	SA119	1	1	1	0	0	0	0	X	X	X	380000h to 387FFFh
	SA120	1	1	1	0	0	0	1	X	X	X	388000h to 38FFFFh
	SA121	1	1	1	0	0	1	0	X	X	X	390000h to 397FFFh
	SA122	1	1	1	0	0	1	1	X	X	X	398000h to 39FFFFh
	SA123	1	1	1	0	1	0	0	X	X	X	3A0000h to 3A7FFFh
	SA124	1	1	1	0	1	0	1	X	X	X	3A8000h to 3AFFFFh
	SA125	1	1	1	0	1	1	0	X	X	X	3B0000h to 3B7FFFh
	SA126	1	1	1	0	1	1	1	X	X	X	3B8000h to 3BFFFFh
	SA127	1	1	1	1	0	0	0	X	X	X	3C0000h to 3C7FFFh
	SA128	1	1	1	1	0	0	1	X	X	X	3C8000h to 3CFFFFh
	SA129	1	1	1	1	0	1	0	X	X	X	3D0000h to 3D7FFFh
	SA130	1	1	1	1	0	1	1	X	X	X	3D8000h to 3DFFFFh
	SA131	1	1	1	1	1	0	0	X	X	X	3E0000h to 3E7FFFh
	SA132	1	1	1	1	1	0	1	X	X	X	3E8000h to 3EFFFFh
	SA133	1	1	1	1	1	1	0	X	X	X	3F0000h to 3F7FFFh
	SA134	1	1	1	1	1	1	1	0	0	0	3F8000h to 3F8FFFh
	SA135	1	1	1	1	1	1	1	0	0	1	3F9000h to 3F9FFFh
	SA136	1	1	1	1	1	1	1	0	1	0	3FA000h to 3FAFFFh
SA137	1	1	1	1	1	1	1	0	1	1	3FB000h to 3FBFFFh	
SA138	1	1	1	1	1	1	1	1	0	0	3FC000h to 3FCFFFh	
SA139	1	1	1	1	1	1	1	1	0	1	3FD000h to 3FDFFFh	
SA140	1	1	1	1	1	1	1	1	1	0	3FE000h to 3FEFFFh	
SA141	1	1	1	1	1	1	1	1	1	1	3FF000h to 3FFFFFh	

Sector Group Addresses

Sector Group	A ₂₁	A ₂₀	A ₁₉	A ₁₈	A ₁₇	A ₁₆	A ₁₅	A ₁₄	A ₁₃	A ₁₂	Sectors
SGA0	0	0	0	0	0	0	0	0	0	0	SA0
SGA1	0	0	0	0	0	0	0	0	0	1	SA1
SGA2	0	0	0	0	0	0	0	0	1	0	SA2
SGA3	0	0	0	0	0	0	0	0	1	1	SA3
SGA4	0	0	0	0	0	0	0	1	0	0	SA4
SGA5	0	0	0	0	0	0	0	1	0	1	SA5
SGA6	0	0	0	0	0	0	0	1	1	0	SA6
SGA7	0	0	0	0	0	0	0	1	1	1	SA7
SGA8	0	0	0	0	0	0	1	X	X	X	SA8 to SA10
						1	0				
						1	1				
SGA9	0	0	0	0	1	X	X	X	X	X	SA11 to SA14
SGA10	0	0	0	1	0	X	X	X	X	X	SA15 to SA18
SGA11	0	0	0	1	1	X	X	X	X	X	SA19 to SA22
SGA12	0	0	1	0	0	X	X	X	X	X	SA23 to SA26
SGA13	0	0	1	0	1	X	X	X	X	X	SA27 to SA30
SGA14	0	0	1	1	0	X	X	X	X	X	SA31 to SA34
SGA15	0	0	1	1	1	X	X	X	X	X	SA35 to SA38
SGA16	0	1	0	0	0	X	X	X	X	X	SA39 to SA42
SGA17	0	1	0	0	1	X	X	X	X	X	SA43 to SA46
SGA18	0	1	0	1	0	X	X	X	X	X	SA47 to SA50
SGA19	0	1	0	1	1	X	X	X	X	X	SA51 to SA54
SGA20	0	1	1	0	0	X	X	X	X	X	SA55 to SA58
SGA21	0	1	1	0	1	X	X	X	X	X	SA59 to SA62
SGA22	0	1	1	1	0	X	X	X	X	X	SA63 to SA66
SGA23	0	1	1	1	1	X	X	X	X	X	SA67 to SA70
SGA24	1	0	0	0	0	X	X	X	X	X	SA71 to SA74
SGA25	1	0	0	0	1	X	X	X	X	X	SA75 to SA78
SGA26	1	0	0	1	0	X	X	X	X	X	SA79 to SA82
SGA27	1	0	0	1	1	X	X	X	X	X	SA83 to SA86
SGA28	1	0	1	0	0	X	X	X	X	X	SA87 to SA90
SGA29	1	0	1	0	1	X	X	X	X	X	SA91 to SA94
SGA30	1	0	1	1	0	X	X	X	X	X	SA95 to SA98
SGA31	1	0	1	1	1	X	X	X	X	X	SA99 to SA102
SGA32	1	1	0	0	0	X	X	X	X	X	SA103 to SA106
SGA33	1	1	0	0	1	X	X	X	X	X	SA107 to SA110
SGA34	1	1	0	1	0	X	X	X	X	X	SA111 to SA114
SGA35	1	1	0	1	1	X	X	X	X	X	SA115 to SA118
SGA36	1	1	1	0	0	X	X	X	X	X	SA119 to SA122
SGA37	1	1	1	0	1	X	X	X	X	X	SA123 to SA126
SGA38	1	1	1	1	0	X	X	X	X	X	SA127 to SA130
SGA39	1	1	1	1	1	0	0	X	X	X	SA131 to SA133
						0	1				
						1	0				
SGA40	1	1	1	1	1	1	1	0	0	0	SA134
SGA41	1	1	1	1	1	1	1	0	0	1	SA135
SGA42	1	1	1	1	1	1	1	0	1	0	SA136
SGA43	1	1	1	1	1	1	1	0	1	1	SA137
SGA44	1	1	1	1	1	1	1	1	0	0	SA138
SGA45	1	1	1	1	1	1	1	1	0	1	SA139
SGA46	1	1	1	1	1	1	1	1	1	0	SA140
SGA47	1	1	1	1	1	1	1	1	1	1	SA141

MB84VD23180FM-70

Flash Memory Autoselect Codes

Type	A ₂₁ to A ₁₂	A ₆	A ₃	A ₂	A ₁	A ₀	Code (HEX)
Manufacture's Code	BA	L	L	L	L	L	04h
Device Code	BA	L	L	L	L	H	227Eh
Extended Device Code * ²	BA	L	H	H	H	L	2202h
	BA	L	H	H	H	H	2201h
Sector Group Protection	Sector Group Addresses	L	L	L	H	L	01h* ¹

Legend: L = V_{IL}, H = V_{IH}. See DC Characteristics for voltage levels.

*1 : Outputs 01h at protected sector group addresses and outputs 00h at unprotected sector group addresses.

*2 : A read cycle at address (BA) 01h outputs device code. When 227Eh was output, this indicates that there will require two additional codes, called Extended Device Codes. Therefore the system may continue reading out these Extended Device Codes at the address of (BA) 0Eh, as well as at (BA) 0Fh.

Flash Memory Command Definitions

Command Sequence	Bus Write Cycles Req'd	First Bus Write Cycle		Second Bus Write Cycle		Third Bus Write Cycle		Fourth Bus Read/Write Cycle		Fifth Bus Write Cycle		Sixth Bus Write Cycle	
		Addr.	Data	Addr.	Data	Addr.	Data	Addr.	Data	Addr.	Data	Addr.	Data
Read/Reset	1	XXXh	F0h	—	—	—	—	—	—	—	—	—	—
Read/Reset	3	555h	AAh	2AAh	55h	555h	F0h	RA	RD	—	—	—	—
Autoselect	3	555h	AAh	2AAh	55h	(BA) 555h	90h	—	—	—	—	—	—
Program	4	555h	AAh	2AAh	55h	555h	A0h	PA	PD	—	—	—	—
Program Suspend	1	BA	B0h	—	—	—	—	—	—	—	—	—	—
Program Re-sume	1	BA	30h	—	—	—	—	—	—	—	—	—	—
Chip Erase	6	555h	AAh	2AAh	55h	555h	80h	555h	AAh	2AAh	55h	555h	10h
Sector Erase	6	555h	AAh	2AAh	55h	555h	80h	555h	AAh	2AAh	55h	SA	30h
Erase Suspend	1	BA	B0h	—	—	—	—	—	—	—	—	—	—
Erase Resume	1	BA	30h	—	—	—	—	—	—	—	—	—	—
Extended Sector Group Protection *2	4	XXXh	60h	SPA	60h	SPA	40h	SPA	SD	—	—	—	—
Set to Fast Mode	3	555h	AAh	2AAh	55h	555h	20h	—	—	—	—	—	—
Fast Program *1	2	XXXh	A0h	PA	PD	—	—	—	—	—	—	—	—
Reset from Fast Mode *1	2	BA	90h	XXXh	*4 F0h	—	—	—	—	—	—	—	—
Query	1	(BA) 55h	98h	—	—	—	—	—	—	—	—	—	—
HiddenROM Entry	3	555h	AAh	2AAh	55h	555h	88h	—	—	—	—	—	—
HiddenROM Program *3	4	555h	AAh	2AAh	55h	555h	A0h	(HRA) PA	PD	—	—	—	—
HiddenROM Exit *3	4	555h	AAh	2AAh	55h	(HRBA) 555h	90h	XXXh	00h	—	—	—	—

(Continued)

MB84VD23180FM-70

(Continued)

*1: This command is valid during Fast Mode.

*2: This command is valid while $\overline{\text{RESET}} = V_{\text{DD}}$.

*3: This command is valid during HiddenROM mode.

*4: The data "00h" is also acceptable.

- Notes :
- Address bits A_{21} to $A_{11} = X = \text{"H"}$ or "L" for all address commands except or Program Address (PA), Sector Address (SA), and Bank Address (BA), and Sector Group Address (SPA).
 - Bus operations are defined in ■ DEVICE BUS OPERATION.
 - RA = Address of the memory location to be read
PA = Address of the memory location to be programmed
Addresses are latched on the falling edge of the write pulse.
 - SA = Address of the sector to be erased. The combination of $A_{21}, A_{20}, A_{19}, A_{18}, A_{17}, A_{16}, A_{15}, A_{14}, A_{13}$, and A_{12} will uniquely select any sector.
 - BA = Bank Address (A_{21}, A_{20}, A_{19})
 - RD = Data read from location RA during read operation.
PD = Data to be programmed at location PA. Data is latched on the rising edge of write pulse.
 - SPA = Sector group address to be protected. Set sector group address and (A_6, A_3, A_2, A_1, A_0) = (0, 0, 0, 1, 0).
 - SD = Sector group protection verify data. Output 01h at protected sector group addresses and output 00h at unprotected sector group addresses.
 - HRA = Address of the HiddenROM area: 000000h to 00007Fh
 - HRBA = Bank Address of the HiddenROM area ($A_{21} = A_{20} = A_{19} = V_{\text{IL}}$)
 - The system should generate the following address patterns: 555h or 2AAh to addresses A_{10} to A_0
 - Both Read/Reset commands are functionally equivalent, resetting the device to the read mode.
 - The command combinations not described in this table are illegal.

2. AC Characteristics

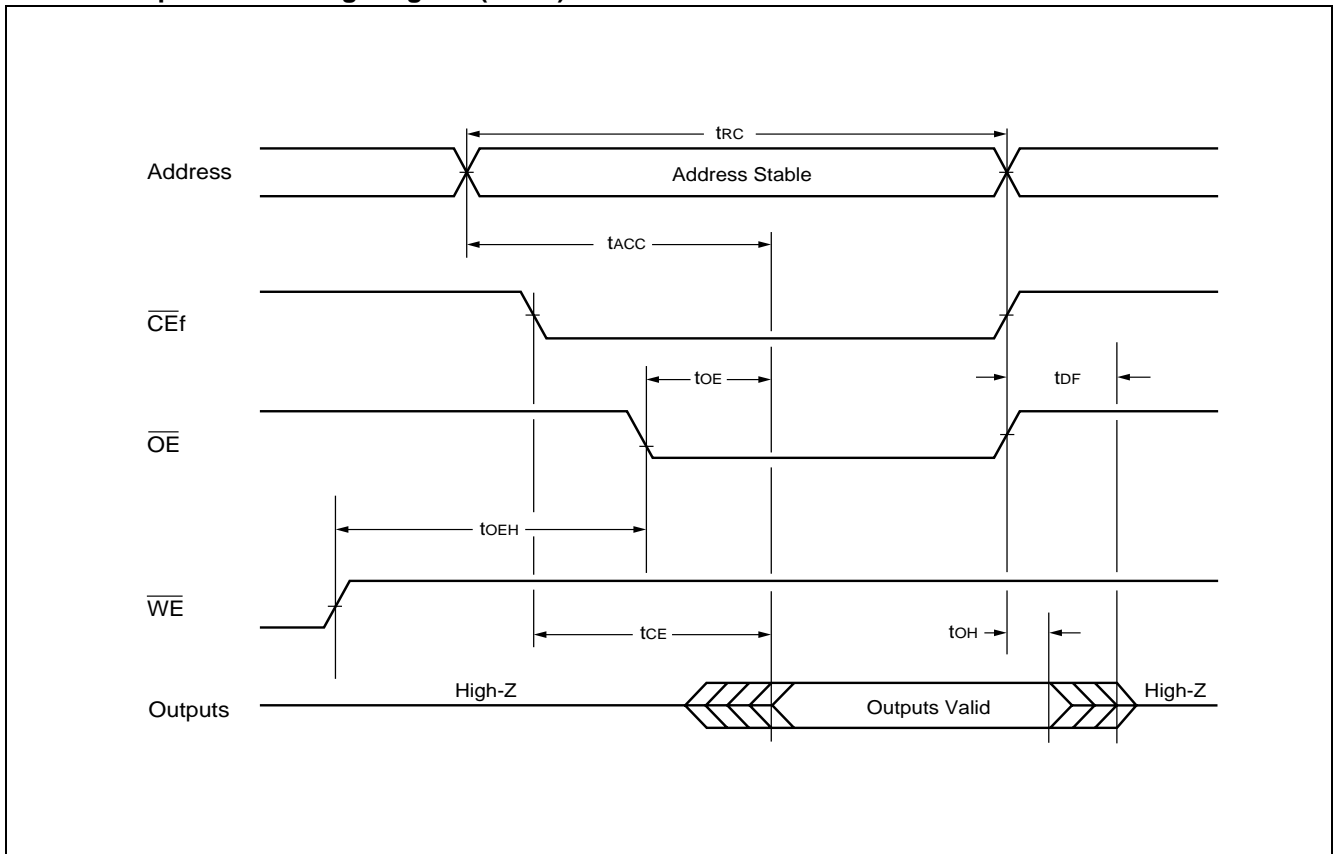
• Read Only Operations Characteristics (Flash)

Parameter	Symbol		Condition	Value*		Unit
	JEDEC	Standard		Min	Max	
Read Cycle Time	t_{AVAV}	t_{RC}	—	70	—	ns
Address to Output Delay	t_{AVQV}	t_{ACC}	$\overline{CE}f = V_{IL}$ $\overline{OE} = V_{IL}$	—	70	ns
Chip Enable to Output Delay	t_{ELQV}	t_{CEf}	$\overline{OE} = V_{IL}$	—	70	ns
Output Enable to Output Delay	t_{GLQV}	t_{OE}	—	—	30	ns
Chip Enable to Output High-Z	t_{EHQZ}	t_{DF}	—	—	25	ns
Output Enable to Output High-Z	t_{GHQZ}	t_{DF}	—	—	25	ns
Output Hold Time From Addresses, $\overline{CE}f$ or \overline{OE} , Whichever Occurs First	t_{AXQX}	t_{OH}	—	0	—	ns
\overline{RESET} Pin Low to Read Mode	—	t_{READY}	—	—	20	μs

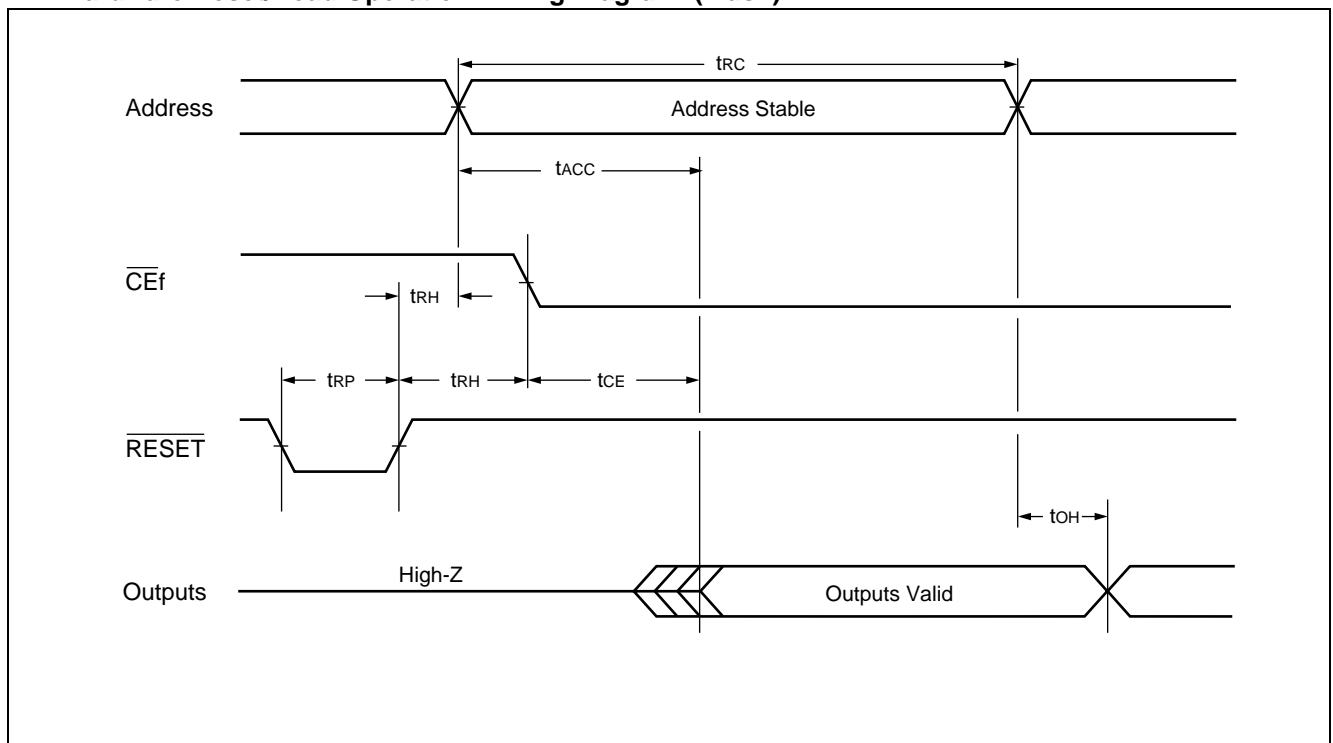
*: Test Conditions— Output Load: 1 TTL gate and 30 pF
 Input rise and fall times: 5 ns
 Input pulse levels: 0.0 V to V_{ccf}
 Timing measurement reference level
 Input: $0.5 \times V_{ccf}$
 Output: $0.5 \times V_{ccf}$

MB84VD23180FM-70

• Read Operation Timing Diagram (Flash)



• Hardware Reset/Read Operation Timing Diagram (Flash)



• Write/Erase/Program Operations (Flash)

Parameter		Symbol		Value			Unit
		JEDEC	Standard	Min	Typ	Max	
Write Cycle Time		t _{AVAV}	t _{WC}	70	—	—	ns
Address Setup Time		t _{AVWL}	t _{AS}	0	—	—	ns
Address Setup Time to \overline{OE} Low During Toggle Bit Polling		—	t _{ASO}	12	—	—	ns
Address Hold Time		t _{WLAX}	t _{AH}	30	—	—	ns
Address Hold Time from \overline{CEf} or \overline{OE} High During Toggle Bit Polling		—	t _{AHT}	0	—	—	ns
Data Setup Time		t _{DVWH}	t _{DS}	25	—	—	ns
Data Hold Time		t _{WHDX}	t _{DH}	0	—	—	ns
Output Enable Hold Time	Read	—	t _{OEH}	0	—	—	ns
	Toggle and \overline{Data} Polling			10	—	—	ns
\overline{CEf} High During Toggle Bit Polling		—	t _{CEPH}	20	—	—	ns
\overline{OE} High During Toggle Bit Polling		—	t _{OEPH}	20	—	—	ns
Read Recover Time Before Write		t _{GHWL}	t _{GHWL}	0	—	—	ns
Read Recover Time Before Write		t _{GHEL}	t _{GHEL}	0	—	—	ns
\overline{CEf} Setup Time		t _{ELWL}	t _{CS}	0	—	—	ns
\overline{WE} Setup Time		t _{WLEL}	t _{WS}	0	—	—	ns
\overline{CEf} Hold Time		t _{WHEH}	t _{CH}	0	—	—	ns
\overline{WE} Hold Time		t _{EHWH}	t _{WH}	0	—	—	ns
Write Pulse Width		t _{WLWH}	t _{WP}	35	—	—	ns
\overline{CEf} Pulse Width		t _{ELEH}	t _{CP}	35	—	—	ns
Write Pulse Width High		t _{WHWL}	t _{WPH}	20	—	—	ns
\overline{CEf} Pulse Width High		t _{EHEL}	t _{CPH}	20	—	—	ns
Programming Operation		t _{WHWH1}	t _{WHWH1}	—	6	—	μs
Sector Erase Operation *1		t _{WHWH2}	t _{WHWH2}	—	0.5	—	s
V _{ccf} Setup Time		—	t _{VCS}	50	—	—	μs
Rise Time to V _{ID} *2		—	t _{VIDR}	500	—	—	ns
Rise Time to V _{ACC} *3		—	t _{VACCR}	500	—	—	ns
Voltage Transition Time *2		—	t _{VLHT}	4	—	—	μs
Write Pulse Width *2		—	t _{WPP}	100	—	—	μs

(Continued)

MB84VD23180FM-70

(Continued)

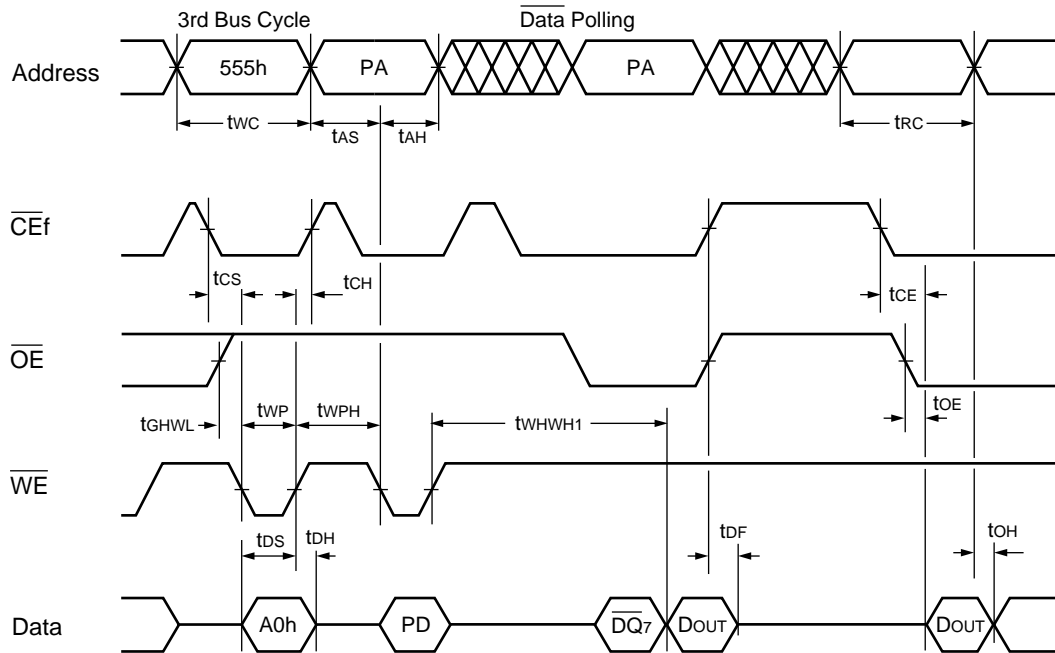
Parameter	Symbol		Value			Unit
	JEDEC	Standard	Min	Typ	Max	
\overline{OE} Setup Time to \overline{WE} Active *2	—	tOESP	4	—	—	μs
\overline{CEf} Setup Time to \overline{WE} Active *2	—	tCSP	4	—	—	μs
Recover Time from RY/ \overline{BY}	—	tRB	0	—	—	ns
\overline{RESET} Pulse Width	—	tRP	500	—	—	ns
\overline{RESET} High Level Period Before Read	—	tRH	200	—	—	ns
Program/Erase Valid to RY/ \overline{BY} Delay	—	tBUSY	—	—	90	ns
Delay Time from Embedded Output Enable	—	tEOE	—	—	70	ns
Erase Time-out Time	—	tTOW	50	—	—	μs
Erase Suspend Transition Time	—	tSPD	—	—	20	μs

*1: This does not include preprogramming time.

*2: This timing is for Sector Group Protection operation.

*3: This timing is for Accelerated Program operation.

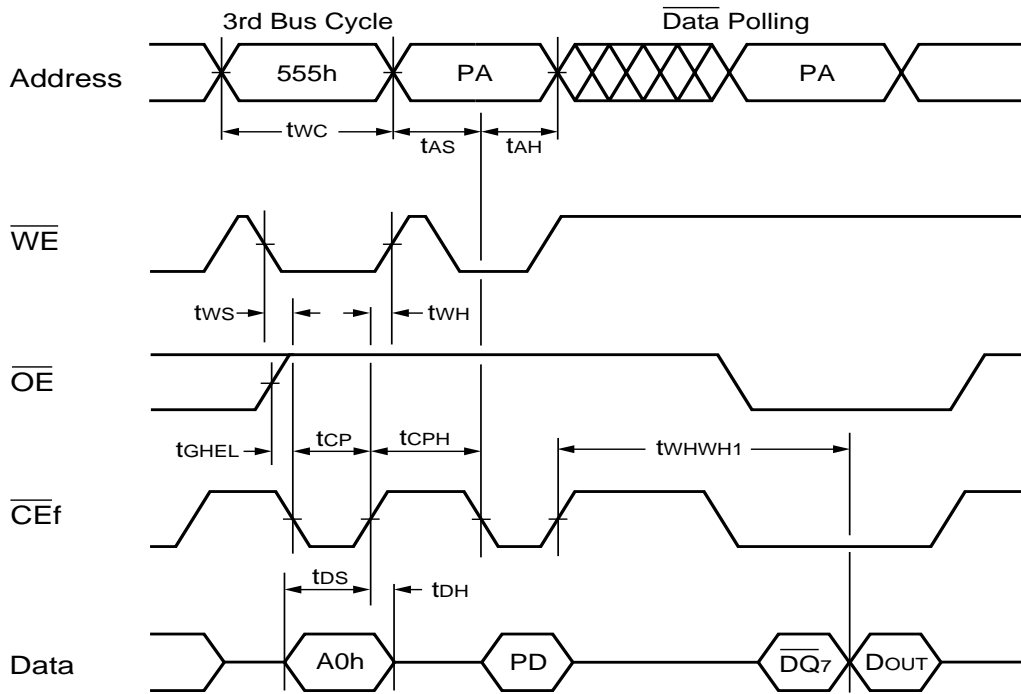
• Write Cycle (\overline{WE} control) (Flash)



- Notes :
- PA is address of the memory location to be programmed.
 - PD is data to be programmed at word address.
 - $\overline{DQ7}$ is the output of the complement of the data written to the device.
 - D_{OUT} is the output of the data written to the device.
 - Figure indicates last two bus cycles out of four bus cycle sequence.

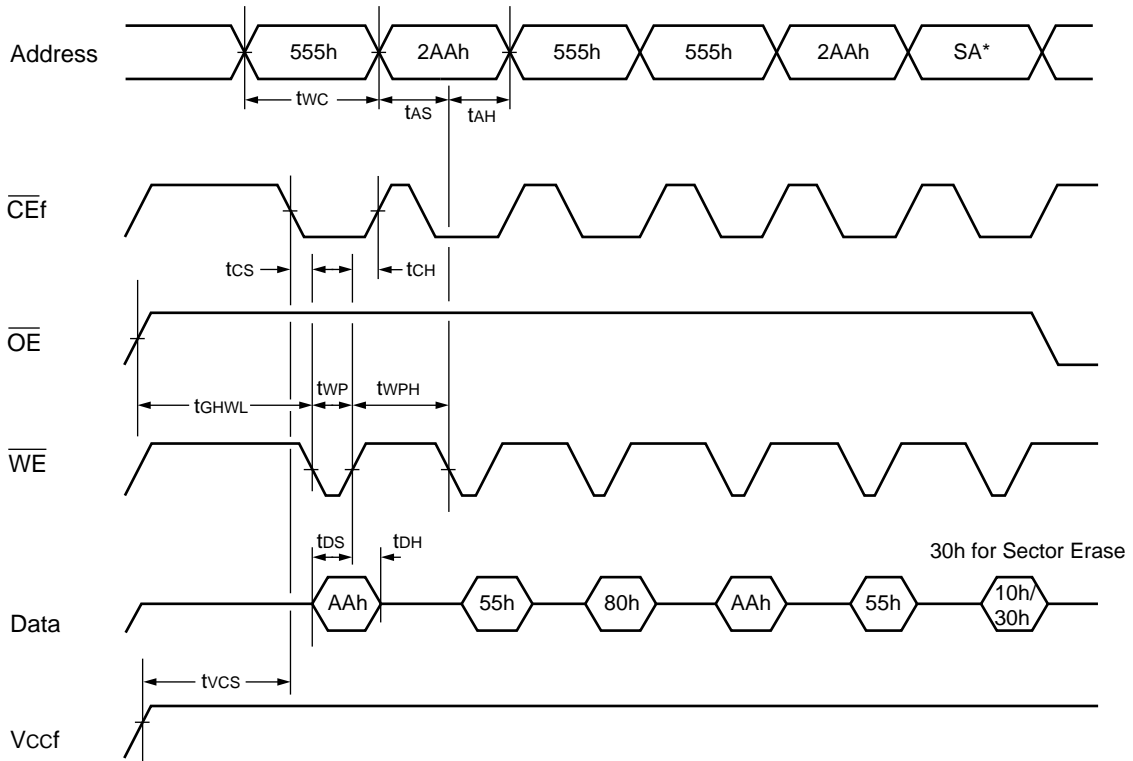
MB84VD23180FM-70

• Write Cycle ($\overline{\text{CEf}}$ control) (Flash)



- Notes :
- PA is address of the memory location to be programmed.
 - PD is data to be programmed at word address.
 - $\overline{\text{DQ7}}$ is the output of the complement of the data written to the device.
 - D_{OUT} is the output of the data written to the device.
 - Figure indicates last two bus cycles out of four bus cycle sequence.

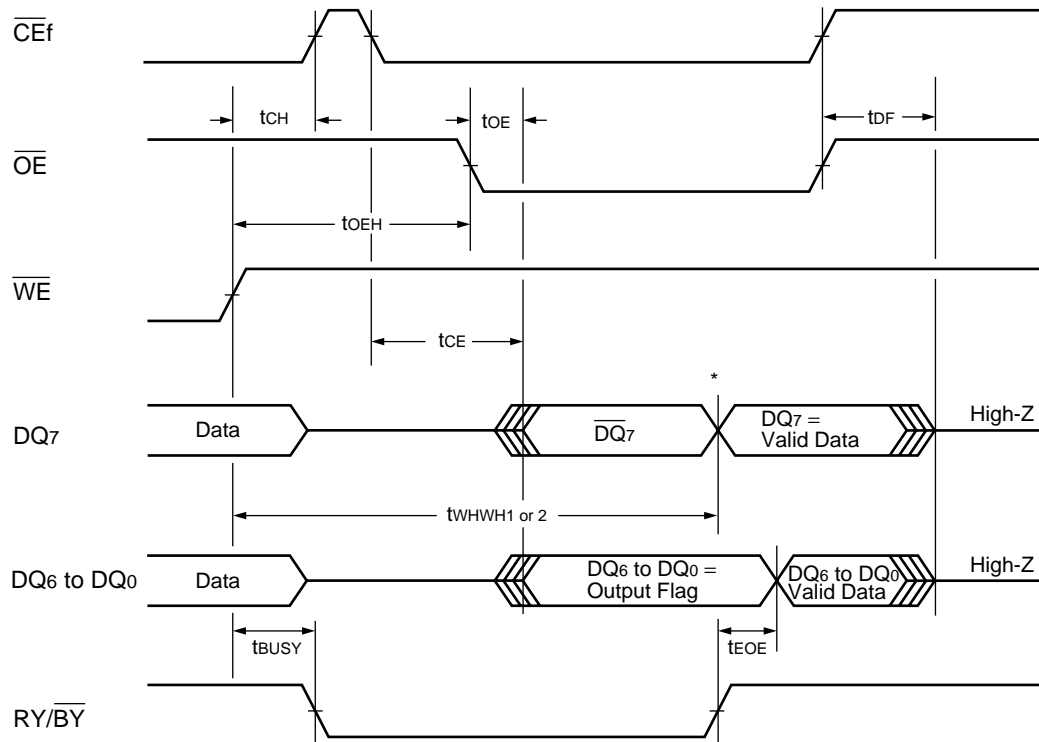
• AC Waveforms Chip/Sector Erase Operations (Flash)



* : SA is the sector address for Sector Erase. Addresses = 555h (Word) for Chip Erase.

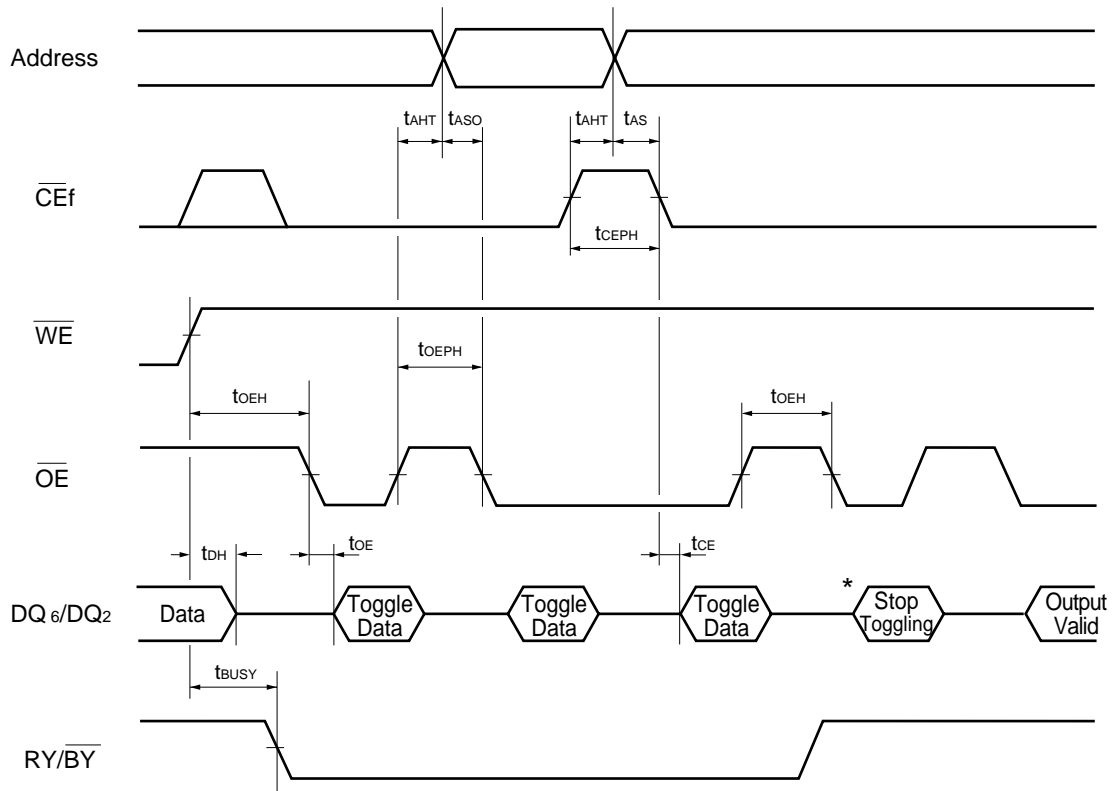
MB84VD23180FM-70

• AC Waveforms for $\overline{\text{Data Polling}}$ during Embedded Algorithm Operations (Flash)



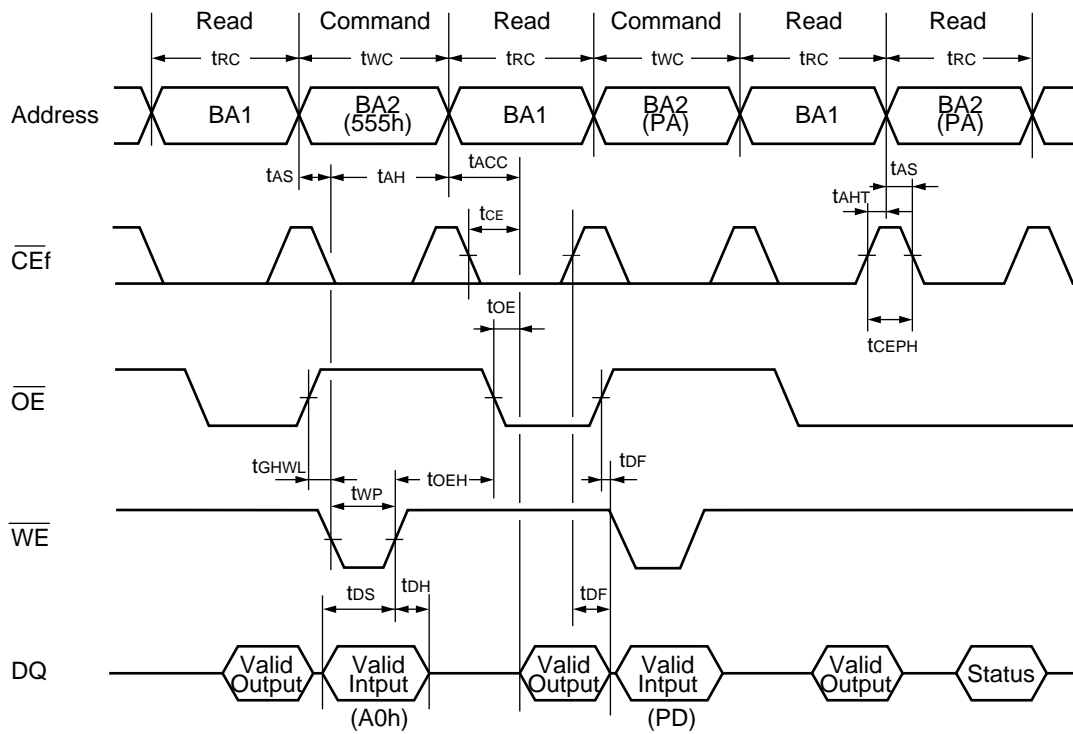
* : DQ₇ = Valid Data (the device has completed the Embedded operation) .

• AC Waveforms for Toggle Bit during Embedded Algorithm Operations (Flash)



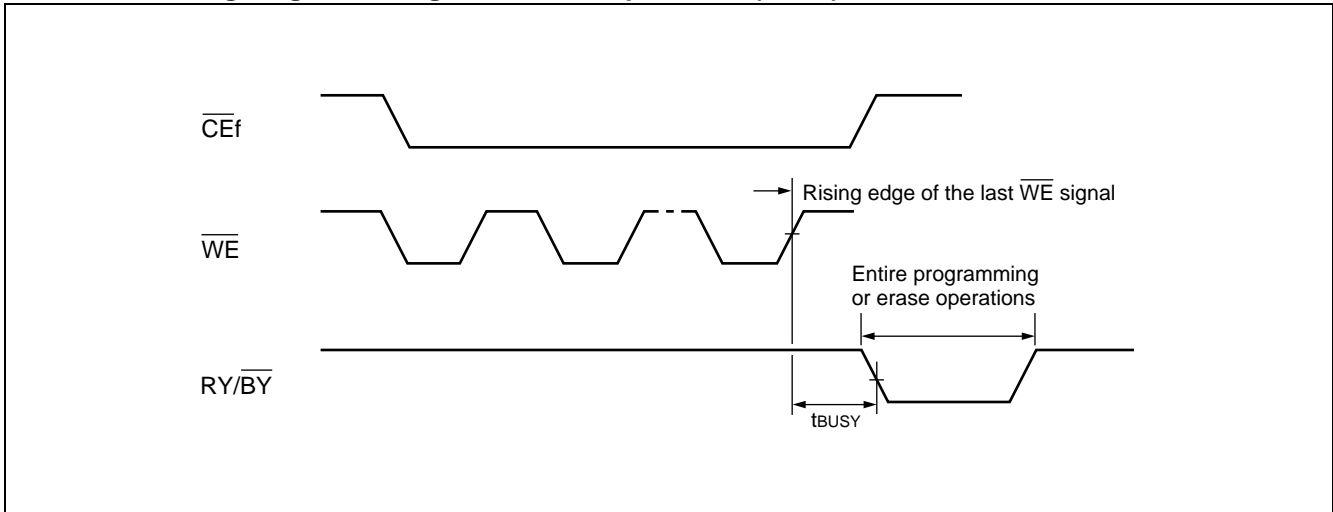
* : DQ₆ stops toggling (the device has completed the Embedded operation).

• Bank-to-bank Read/Write Timing Diagram (Flash)

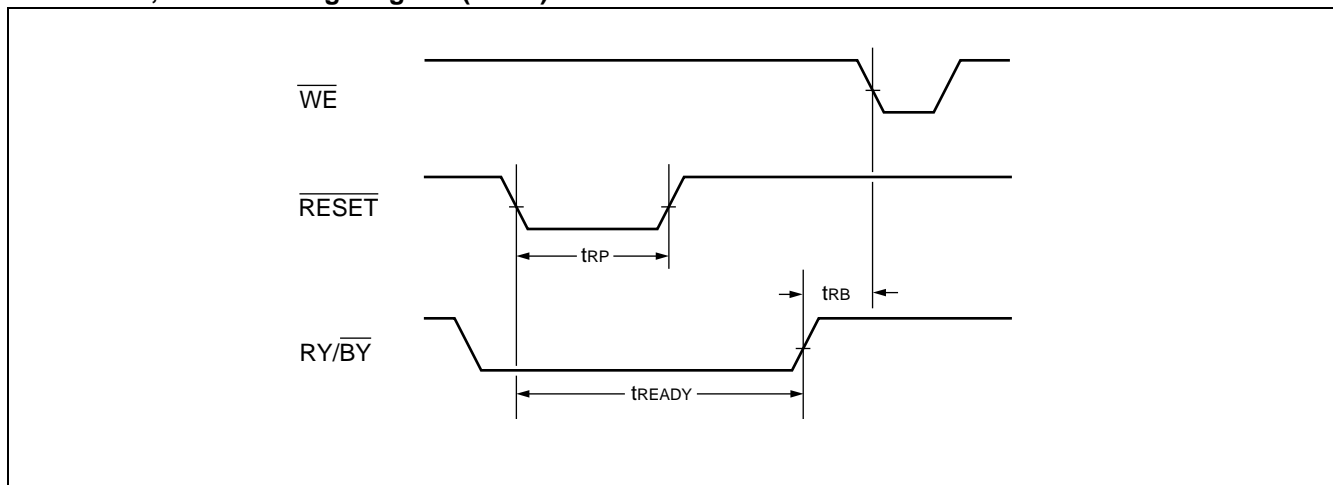


Note : This is example of Read for Bank 1 and Embedded Algorithm (program) for Bank 2.
 BA1 : Address corresponding to Bank 1
 BA2 : Address corresponding to Bank 2

• RY/BY Timing Diagram during Write/Erase Operations (Flash)

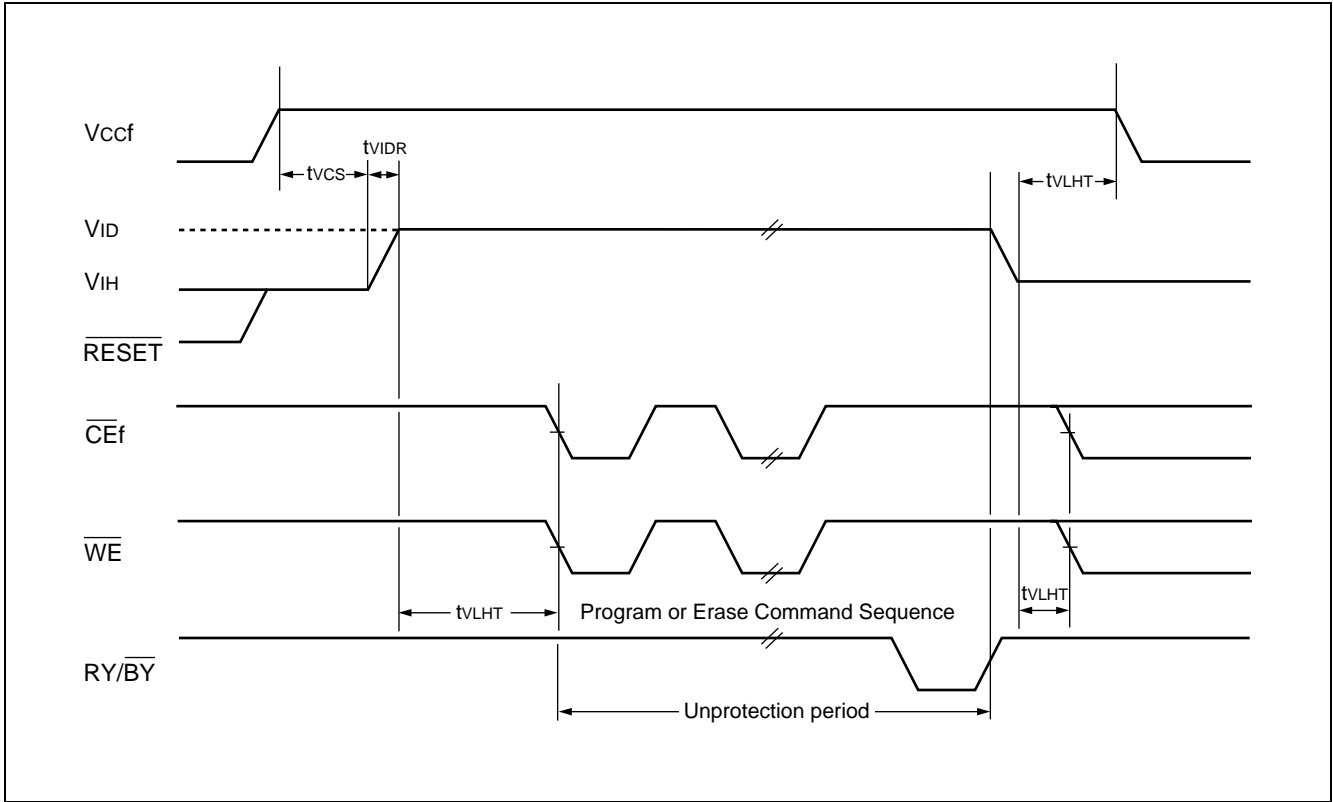


• \overline{RESET} , RY/\overline{BY} Timing Diagram (Flash)

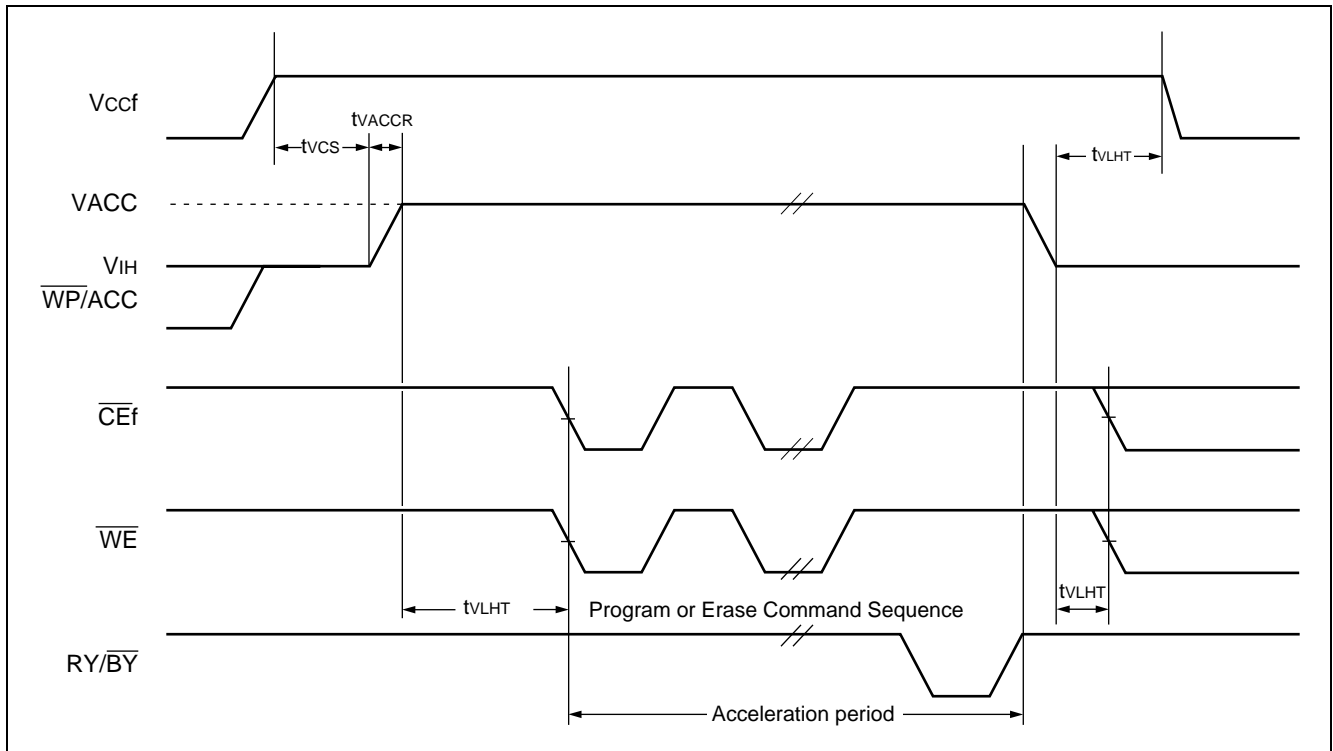


MB84VD23180FM-70

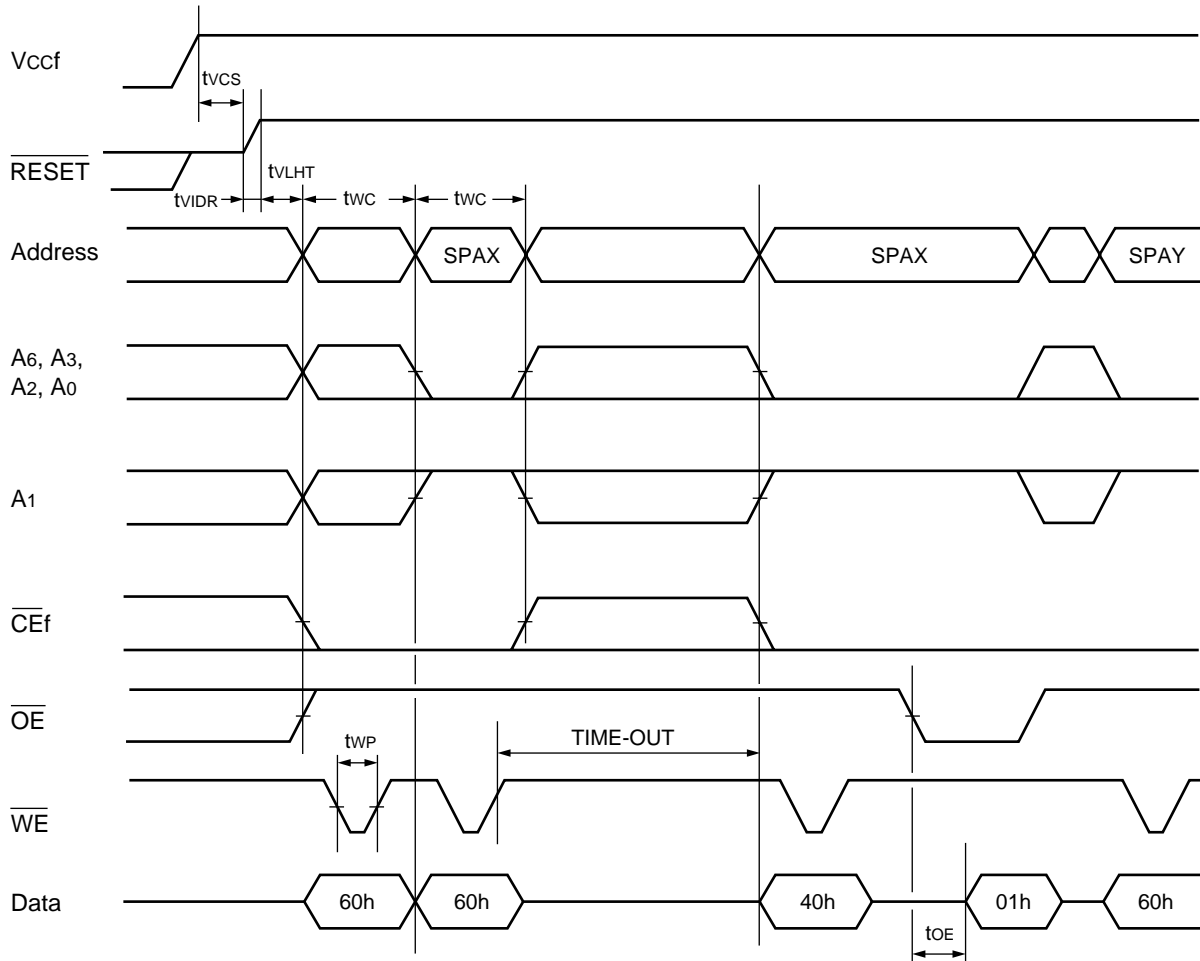
• Temporary Sector Unprotection (Flash)



• Acceleration Mode Timing Diagram (Flash)



• Extended Sector Group Protection (Flash)



SPAX : Sector Group Address to be protected
 SPAY : Next Sector Group Address to be protected
 TIME-OUT : Time-Out window = 250 μ s (Min)

3. Erase and Programming Performance (Flash)

Parameter	Value			Unit	Remarks
	Min	Typ	Max		
Sector Erase Time	—	0.5	2.0	s	Excludes programming time prior to erasure
Word Programming Time	—	6	100	μs	Excludes system-level overhead
Chip Programming Time	—	—	200	s	Excludes system-level overhead
Erase/Program Cycle	100,000	—	—	cycle	

Typical Erase conditions Ta = +25°C, VCCf_1 & VCCf_2 = 2.9 V

Typical Program conditions Ta = +25°C, VCCf_1 & VCCf_2 = 2.9 V

Data= Checker

■ 4M SRAM FOR MCP

1. AC Characteristics

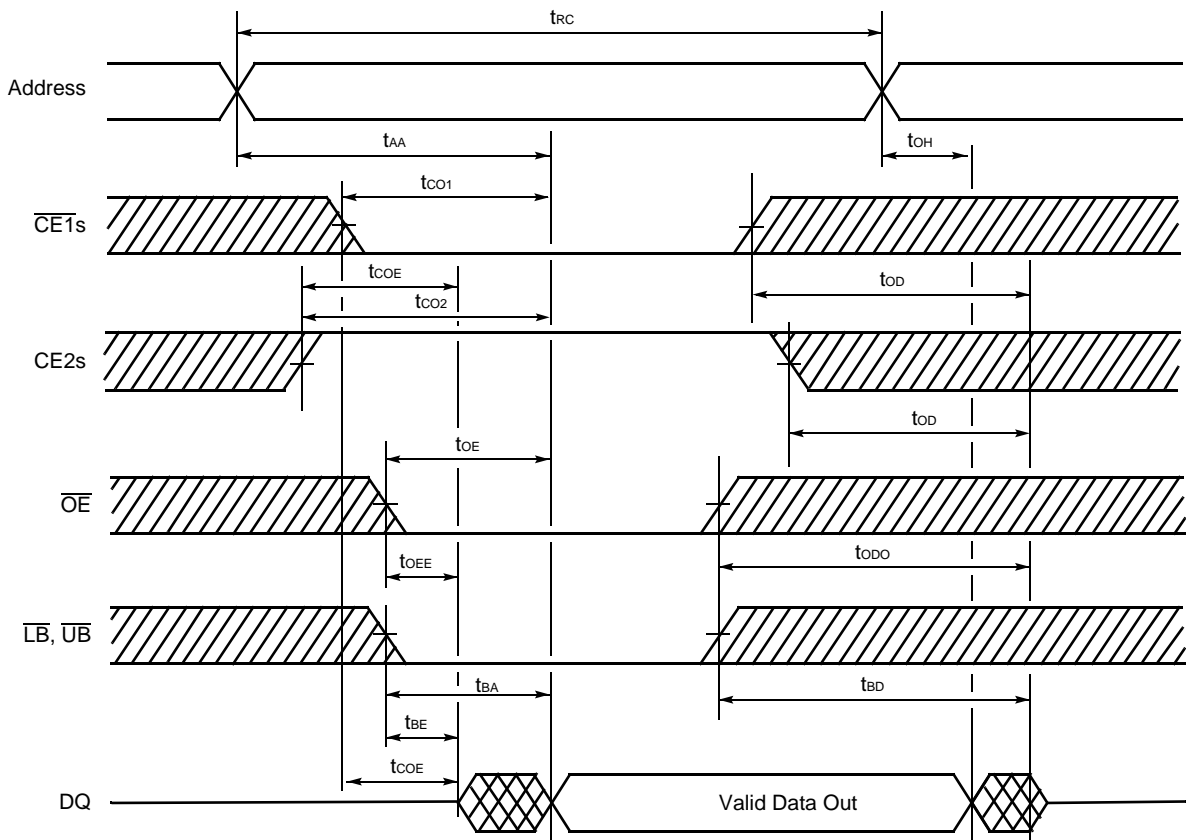
• Read Cycle (SRAM)

Parameter	Symbol	Value		Unit
		Min	Max	
Read Cycle Time	t_{RC}	70	—	ns
Address Access Time	t_{AA}	—	70	ns
Chip Enable ($\overline{CE1s}$) Access Time	t_{CO1}	—	70	ns
Chip Enable (CE2s) Access Time	t_{CO2}	—	70	ns
Output Enable Access Time	t_{OE}	—	35	ns
\overline{LB} , \overline{UB} to Output Valid	t_{BA}	—	70	ns
Chip Enable ($\overline{CE1s}$ Low and CE2s High) to Output Active	t_{COE}	5	—	ns
Output Enable Low to Output Active	t_{OEE}	0	—	ns
\overline{UB} , \overline{LB} Enable Low to Output Active	t_{BE}	0	—	ns
Chip Enable ($\overline{CE1s}$ High or CE2s Low) to Output High-Z	t_{OD}	—	25	ns
Output Enable High to Output High-Z	t_{ODO}	—	25	ns
\overline{UB} , \overline{LB} Output Enable to Output High-Z	t_{BD}	—	25	ns
Output Data Hold Time	t_{OH}	10	—	ns

Note: Test Conditions— Output Load: 1 TTL gate and 30 pF
 Input rise and fall times: 5 ns
 Input pulse levels: 0.0 V to V_{CCS}
 Timing measurement reference level
 Input: $0.5 \times V_{CCS}$
 Output: $0.5 \times V_{CCS}$

MB84VD23180FM-70

• Read Cycle (SRAM)



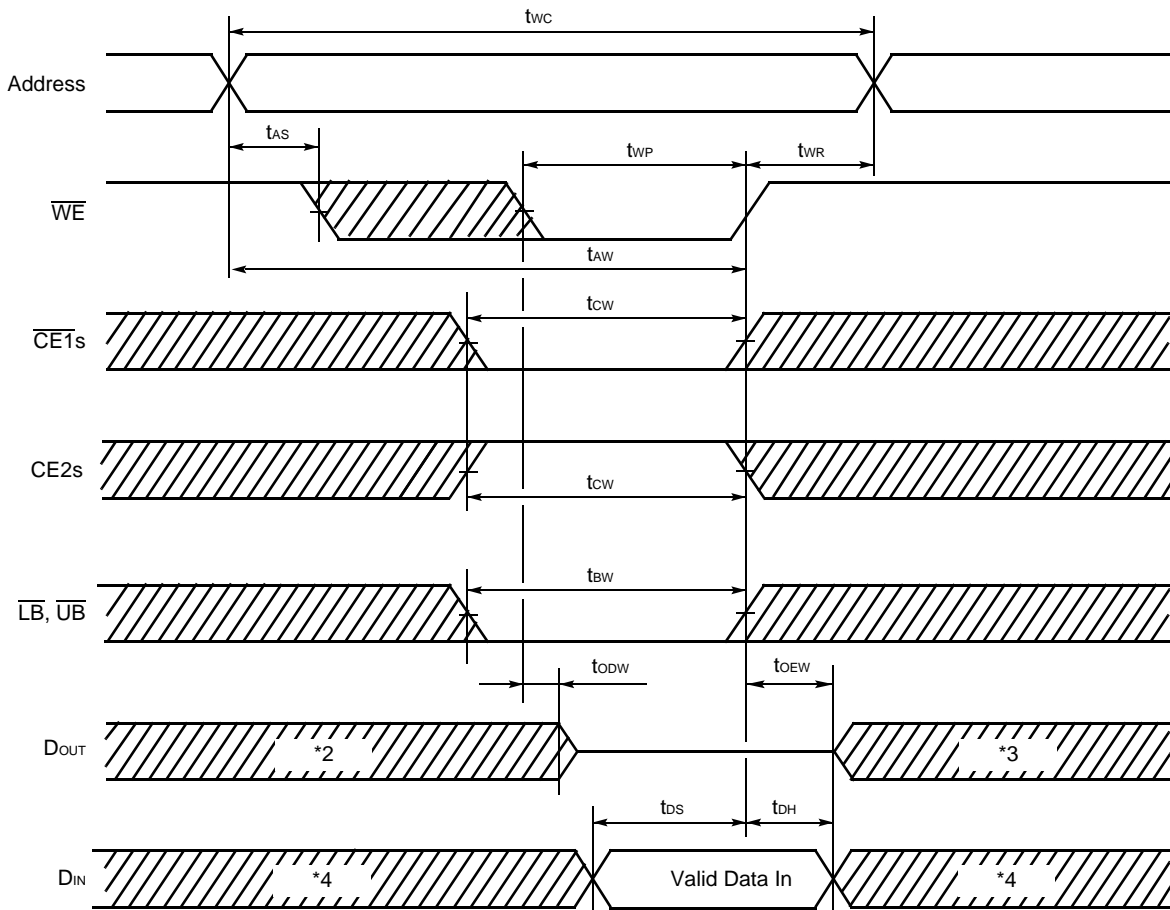
Note: \overline{WE} remains HIGH for the read cycle.

• Write Cycle (SRAM)

Parameter	Symbol	Value		Unit
		Min	Max	
Write Cycle Time	t _{WC}	70	—	ns
Write Pulse Width	t _{WP}	50	—	ns
Chip Enable to End of Write	t _{CW}	55	—	ns
Address valid to End of Write	t _{AW}	55	—	ns
\overline{UB} , \overline{LB} to End of Write	t _{BW}	55	—	ns
Address Setup Time	t _{AS}	0	—	ns
Write Recovery Time	t _{WR}	0	—	ns
\overline{WE} Low to Output High-Z	t _{ODW}	—	25	ns
\overline{WE} High to Output Active	t _{OEW}	0	—	ns
Data Setup Time	t _{DS}	30	—	ns
Data Hold Time	t _{DH}	0	—	ns

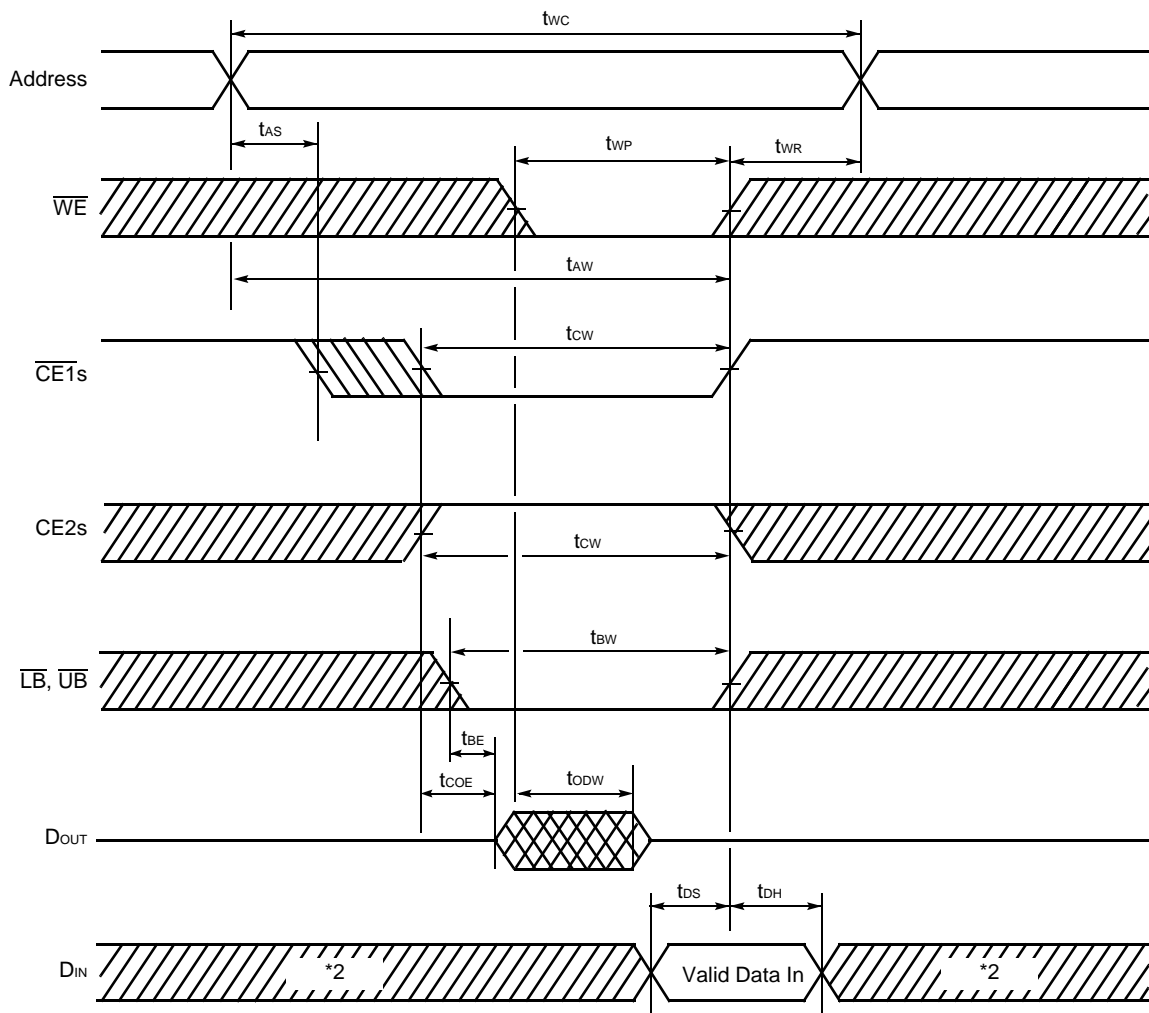
MB84VD23180FM-70

• Write Cycle *1 (\overline{WE} control) (SRAM)



- *1 : If \overline{OE} is HIGH during the write cycle, the outputs will remain at high impedance.
- *2 : If $\overline{CE1s}$ goes LOW (or $CE2s$ goes HIGH) coincident with or after \overline{WE} goes LOW, the output will remain at high impedance.
- *3 : If $\overline{CE1s}$ goes HIGH (or $CE2s$ goes LOW) coincident with or before \overline{WE} goes HIGH, the output will remain at high impedance.
- *4 : Because I/O signals may be in the output state at this Time, input signals of reverse polarity must not be applied.

• Write Cycle *1 ($\overline{CE1s}$ control) (SRAM)

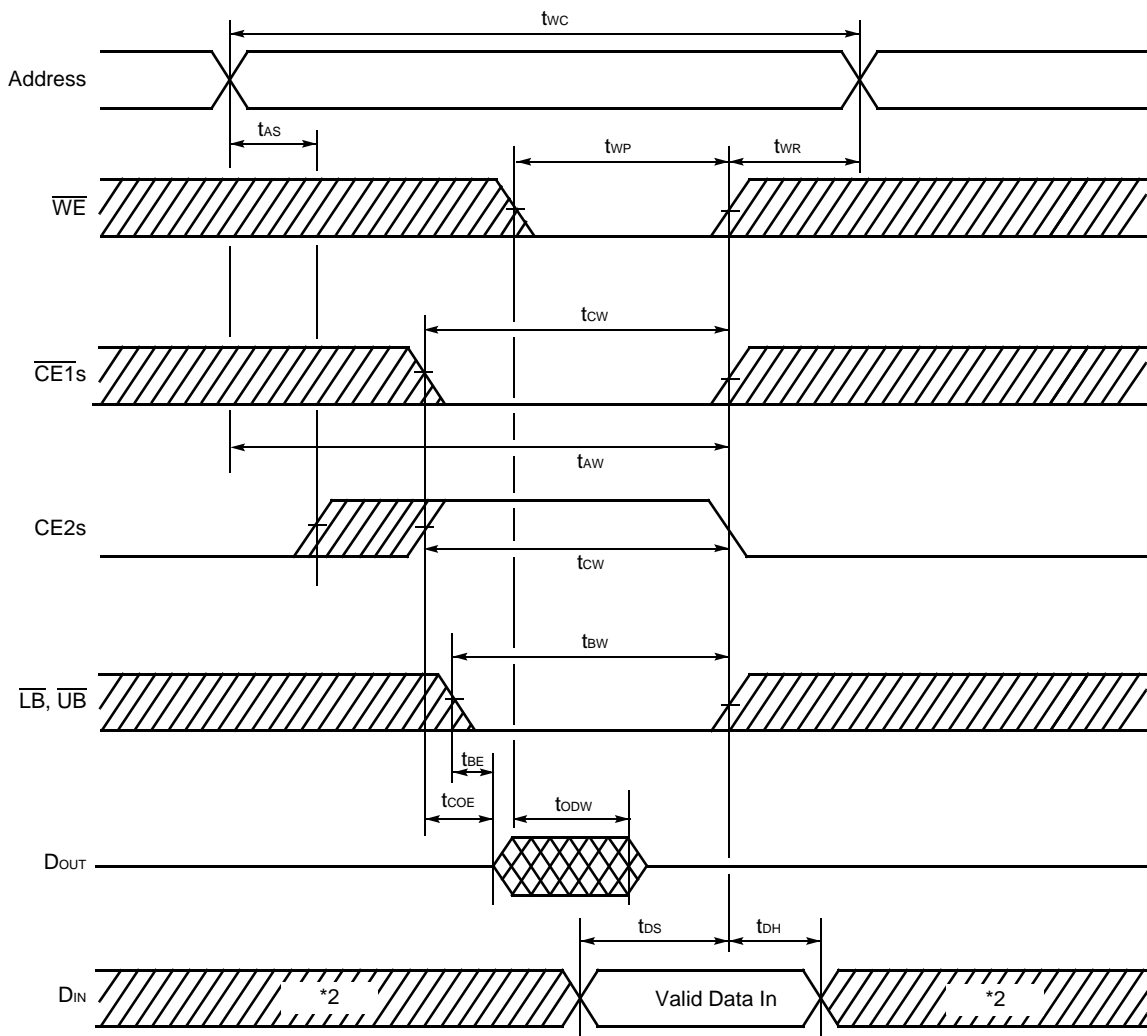


*1 : If \overline{OE} is HIGH during the write cycle, the outputs will remain at high impedance.

*2 : Because I/O signals may be in the output state at this Time, input signals of reverse polarity must not be applied.

MB84VD23180FM-70

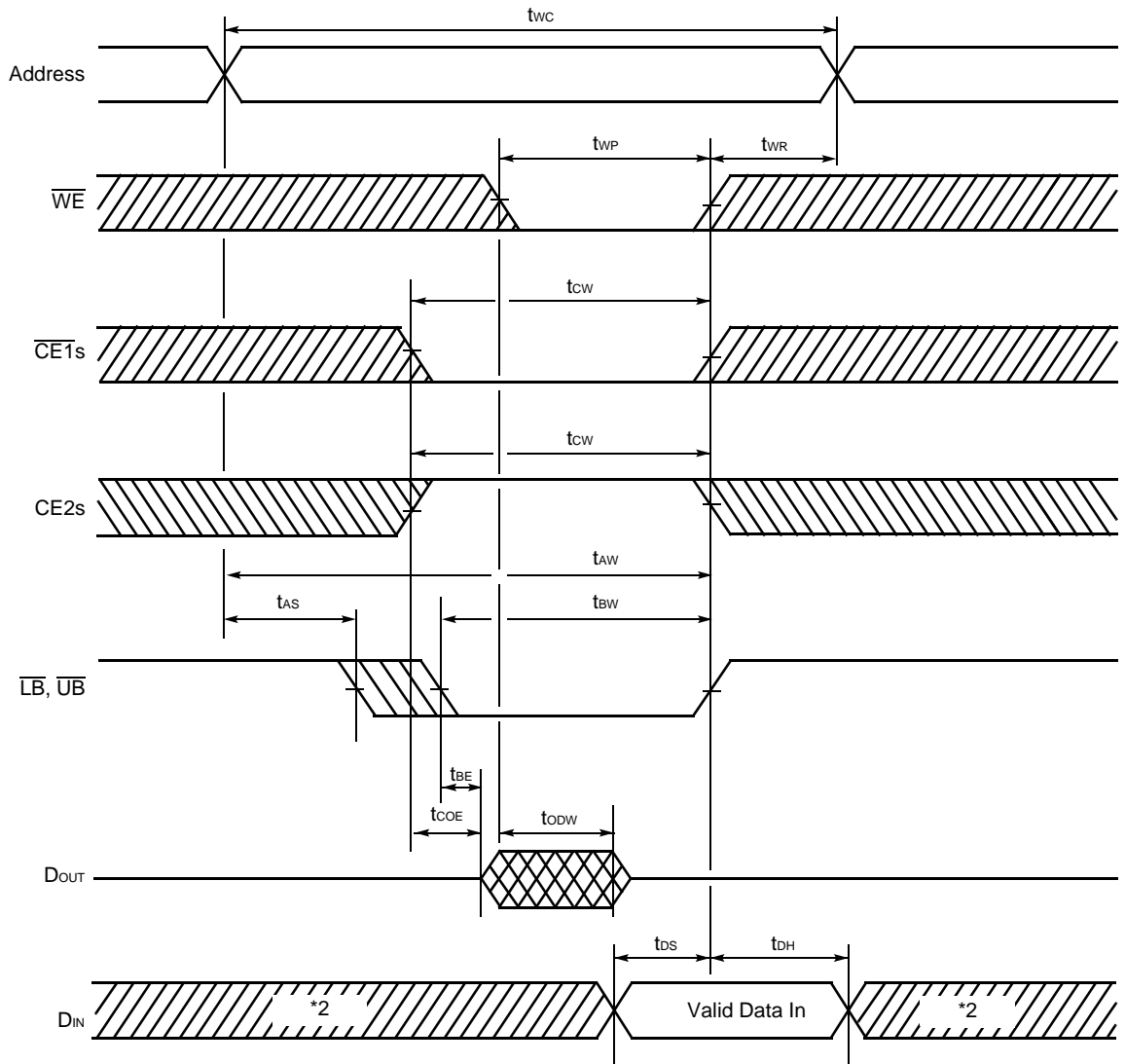
• Write Cycle *1 (CE2s Control) (SRAM)



*1 : If \overline{OE} is HIGH during the write cycle, the outputs will remain at high impedance.

*2 : Because I/O signals may be in the output state at this Time, input signals of reverse polarity must not be applied.

• Write Cycle *1 (\overline{LB} , \overline{UB} Control) (SRAM)



*1 : If \overline{OE} is HIGH during the write cycle, the outputs will remain at high impedance.

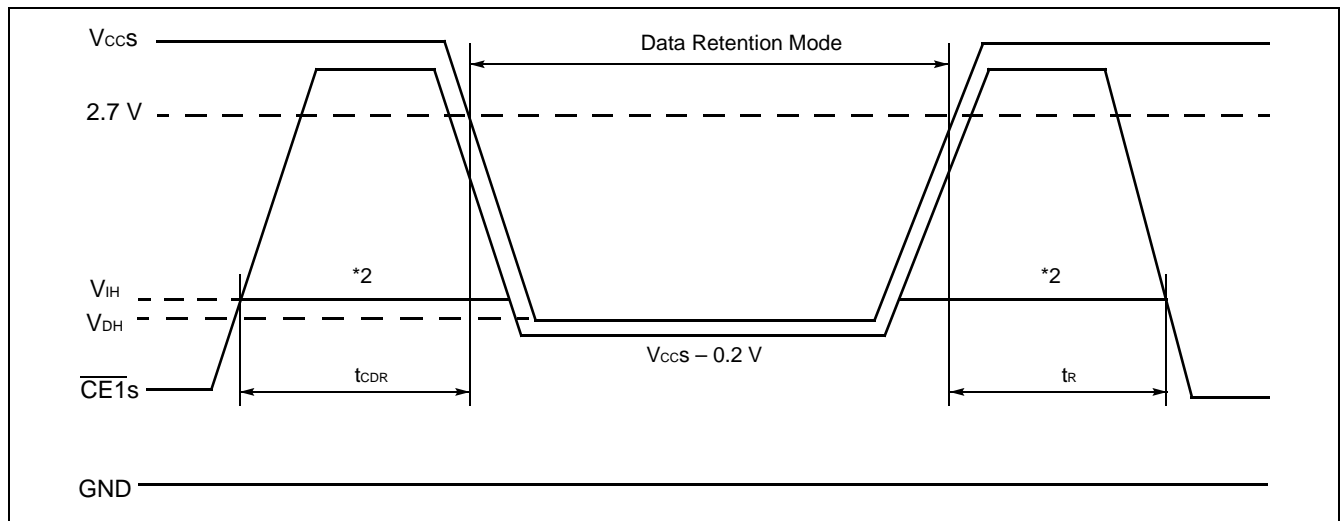
*2 : Because I/O signals may be in the output state at this Time, input signals of reverse polarity must not be applied.

2. Data Retention Characteristics (SRAM)

Parameter	Symbol	Value			Unit
		Min	Typ	Max	
Data Retention Supply Voltage	V_{DH}	1.5	—	3.1	V
Standby Current	I_{DDs2}	—	—	10	μA
Chip Deselect to Data Retention Mode Time	t_{CDR}	0	—	—	ns
Recovery Time	t_R	t_{RC}	—	—	ns

Note : t_{RC} : Read cycle time

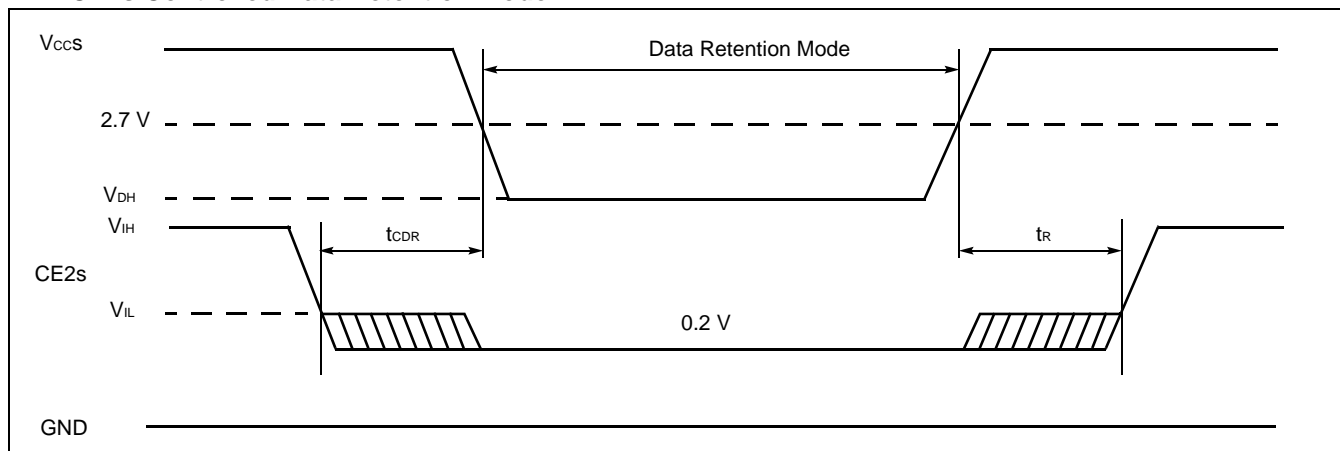
• $\overline{CE1}$ s Controlled Data Retention Mode *1



*1 : In $\overline{CE1}$ s controlled data retention mode, input level of $\overline{CE2}$ s should be fixed V_{ccs} to $V_{ccs}-0.2$ V or V_{ss} to 0.2 V during data retention mode. Other input and input/output pins can be used between -0.3 V to $V_{ccs}+0.3$ V.

*2 : When $\overline{CE1}$ s is operating at the V_{IH} Min level, the standby current is given by I_{SB1s} during the transition of V_{ccs} from V_{ccs} MAX to V_{IH} Min level.

• $\overline{CE2}$ s Controlled Data Retention Mode*



* : In $\overline{CE2}$ s controlled data retention mode, input and input/output pins can be used between -0.3 V to $V_{ccs}+0.3$ V.

■ PIN CAPACITANCE

Parameter	Symbol	Test Setup	Value		Unit
			Typ	Max	
Input Capacitance	C_{IN}	$V_{IN} = 0$	11	14	pF
Output Capacitance	C_{OUT}	$V_{OUT} = 0$	12	16	pF
Control Pin Capacitance	C_{IN2}	$V_{IN} = 0$	14	16	pF
\overline{WP}/ACC Pin Capacitance	C_{IN3}	$V_{IN} = 0$	21.5	26	pF

Note: Test conditions $T_a = +25^\circ\text{C}$, $f = 1.0\text{ MHz}$

■ HANDLING OF PACKAGE

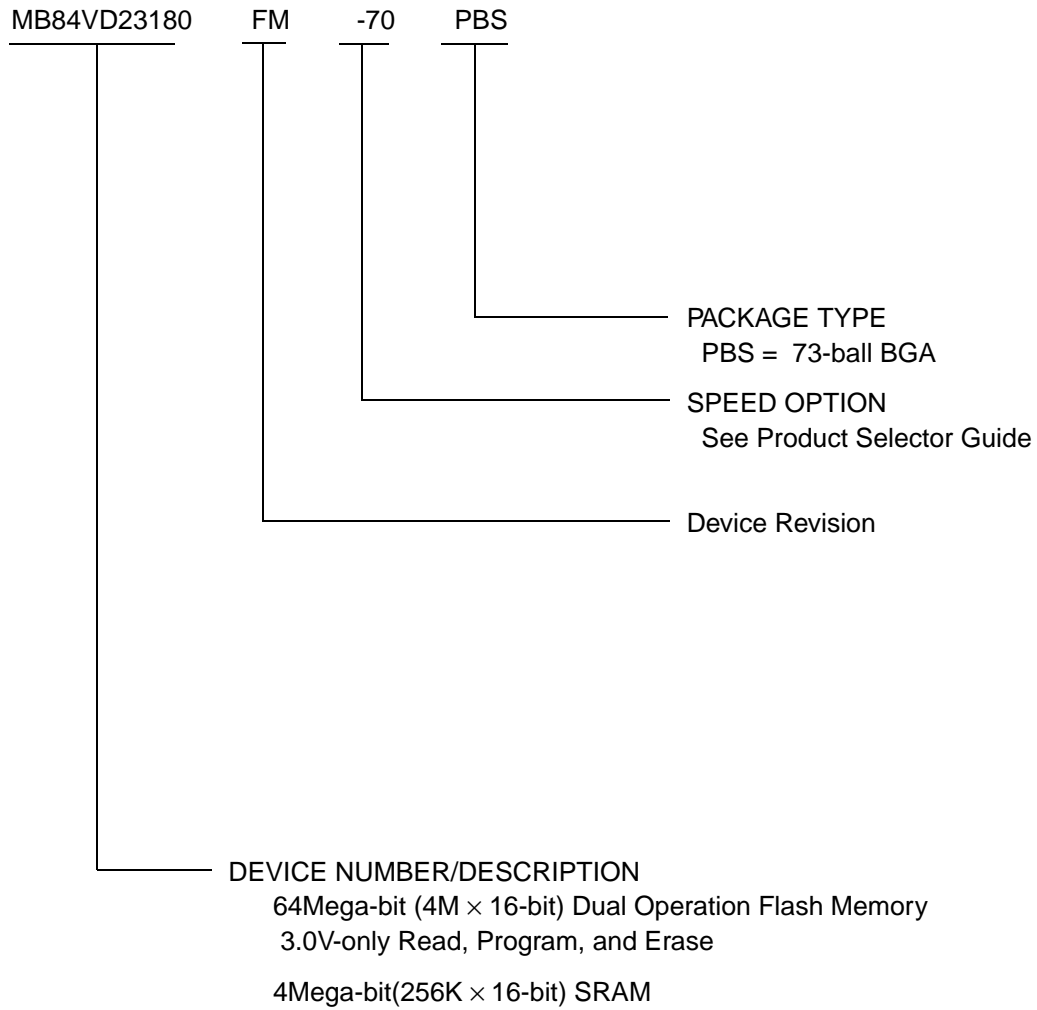
Please handle this package carefully since the sides of packages are acute angle.

■ CAUTION

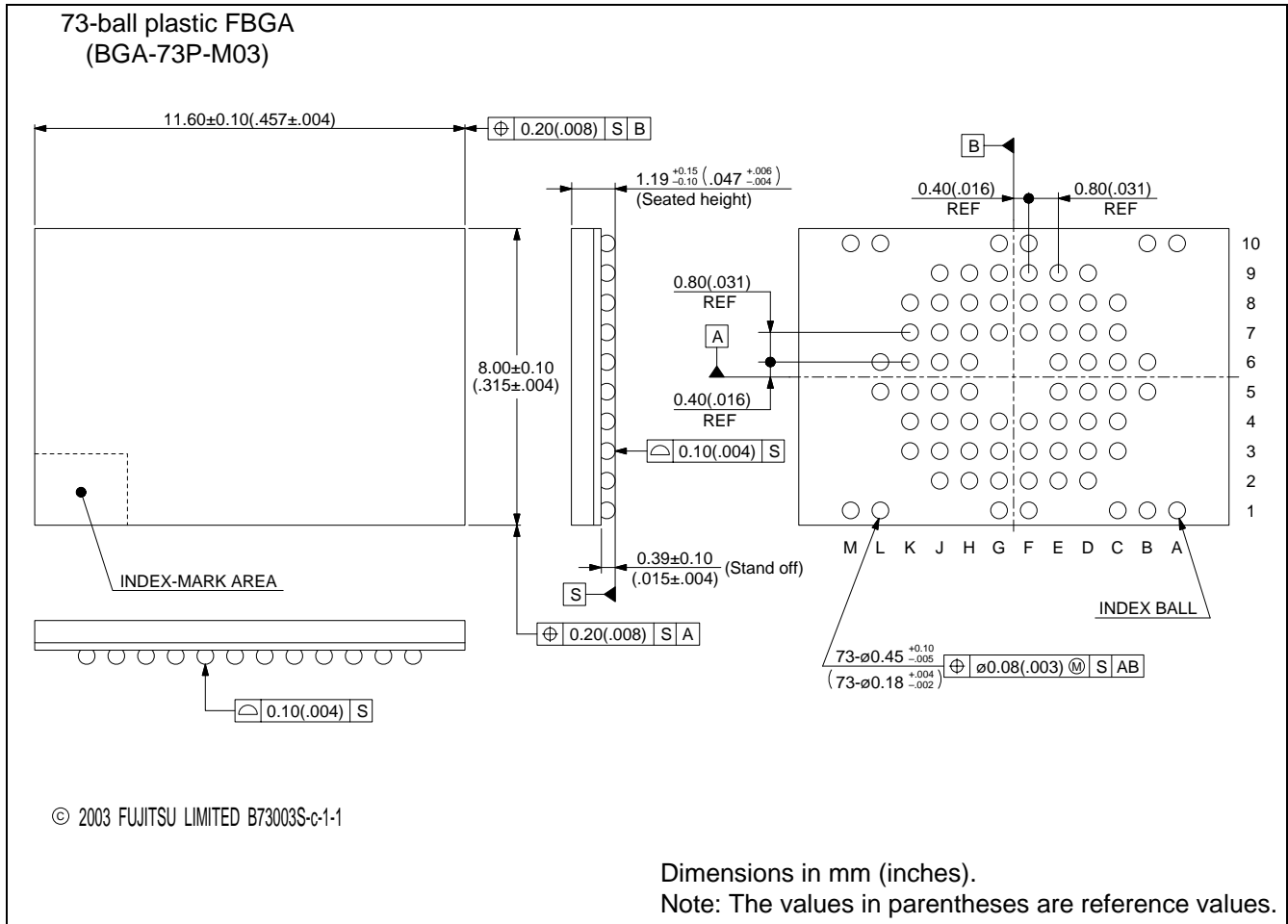
- (1) The high voltage (V_{ID}) can not apply to address pins and control pins except \overline{RESET} . Therefore, it can not use autoselect and sector protect function by applying the high voltage (V_{ID}) to specific pins.
- (2) For the sector protection, since the high voltage (V_{ID}) can be applied to the \overline{RESET} , it can be protected the sector using "Extended sector protect" command.

MB84VD23180FM-70

■ ORDERING INFORMATION



■ PACKAGE DIMENSION



FUJITSU LIMITED

All Rights Reserved.

The contents of this document are subject to change without notice. Customers are advised to consult with FUJITSU sales representatives before ordering.

The information, such as descriptions of function and application circuit examples, in this document are presented solely for the purpose of reference to show examples of operations and uses of Fujitsu semiconductor device; Fujitsu does not warrant proper operation of the device with respect to use based on such information. When you develop equipment incorporating the device based on such information, you must assume any responsibility arising out of such use of the information. Fujitsu assumes no liability for any damages whatsoever arising out of the use of the information.

Any information in this document, including descriptions of function and schematic diagrams, shall not be construed as license of the use or exercise of any intellectual property right, such as patent right or copyright, or any other right of Fujitsu or any third party or does Fujitsu warrant non-infringement of any third-party's intellectual property right or other right by using such information. Fujitsu assumes no liability for any infringement of the intellectual property rights or other rights of third parties which would result from the use of information contained herein.

The products described in this document are designed, developed and manufactured as contemplated for general use, including without limitation, ordinary industrial use, general office use, personal use, and household use, but are not designed, developed and manufactured as contemplated (1) for use accompanying fatal risks or dangers that, unless extremely high safety is secured, could have a serious effect to the public, and could lead directly to death, personal injury, severe physical damage or other loss (i.e., nuclear reaction control in nuclear facility, aircraft flight control, air traffic control, mass transport control, medical life support system, missile launch control in weapon system), or (2) for use requiring extremely high reliability (i.e., submersible repeater and artificial satellite).

Please note that Fujitsu will not be liable against you and/or any third party for any claims or damages arising in connection with above-mentioned uses of the products.

Any semiconductor devices have an inherent chance of failure. You must protect against injury, damage or loss from such failures by incorporating safety design measures into your facility and equipment such as redundancy, fire protection, and prevention of over-current levels and other abnormal operating conditions.

If any products described in this document represent goods or technologies subject to certain restrictions on export under the Foreign Exchange and Foreign Trade Law of Japan, the prior authorization by Japanese government will be required for export of those products from Japan.