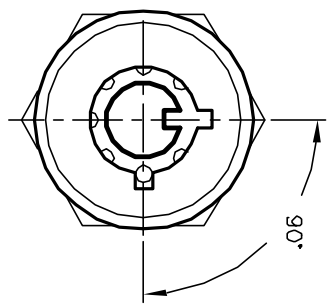
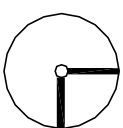
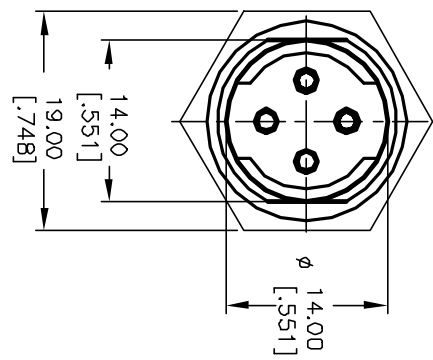
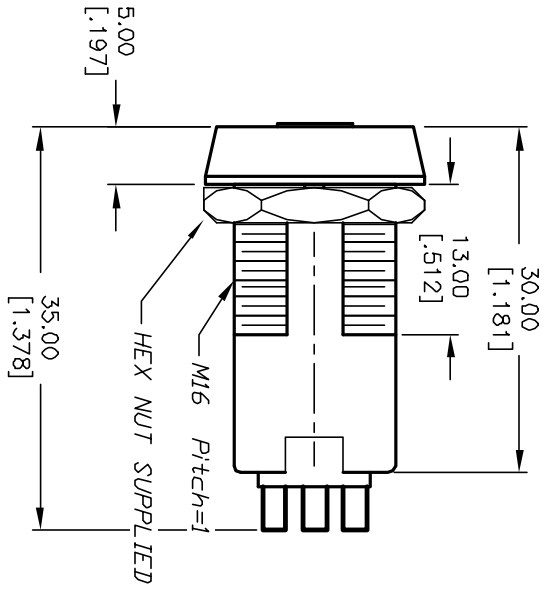


POS 1



POS 2



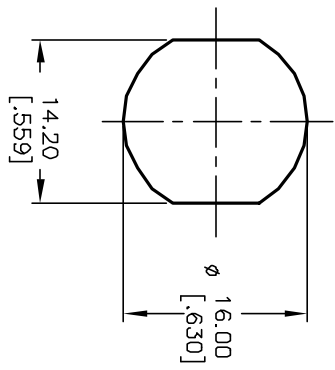
CIRCUIT: SPDT
CONTACT CONFIGURATION

SWITCH FUNCTION	
POS 1	POS 2
↙	↘
DN	DN

LEGEND

- =INDICATES KEY PULL
- ⊗ =INDICATES NO KEY PULL

RECOMMENDED PANEL CUTOUT



NOTES:

1. ALL DIMENSIONS IN MM [INCH]
2. GENERAL TOLERANCE: X.X=±0.4
X.XX=±0.25
3. TERM. NOS. FOR REFERENCE ONLY.
4. RATING: 3A @125VAC, 1.5A @250VAC
5. CONTACT RESISTANCE: 10mILLI-OHMS
6. DIELECTRIC STRENGTH: 1000 VAC-1Minute
7. INSULATION RESISTANCE: 200 Mega-OHMS min.
8. MATERIALS:

HOUSING: ZINC ALLOY DIE CAST
CYLINDER: ZINC ALLOY W/CHROME PLATING
TERMINAL AND CONTACTS: SILVER PLATED
KEYS (2) KEY CODE 10001: TUBULAR
ZINC ALLOY, CHROME PLATING W/PLASTIC COVER

REV.	ECN No.	DESCRIPTION	DATE	CHKD
A	11756	RELEASED FOR PRODUCTION	10/18/01	CJB

TITLE		SCALE		DATE	DR	DWG	REV
K0104B-10001		1.5:1		10/18/01	CJB	K300102	A



THE INFORMATION CONTAINED IN THIS DOCUMENT IS PROPRIETARY TO E-SWITCH AND IS NOT TO BE COPIED OR TRANSFERRED