

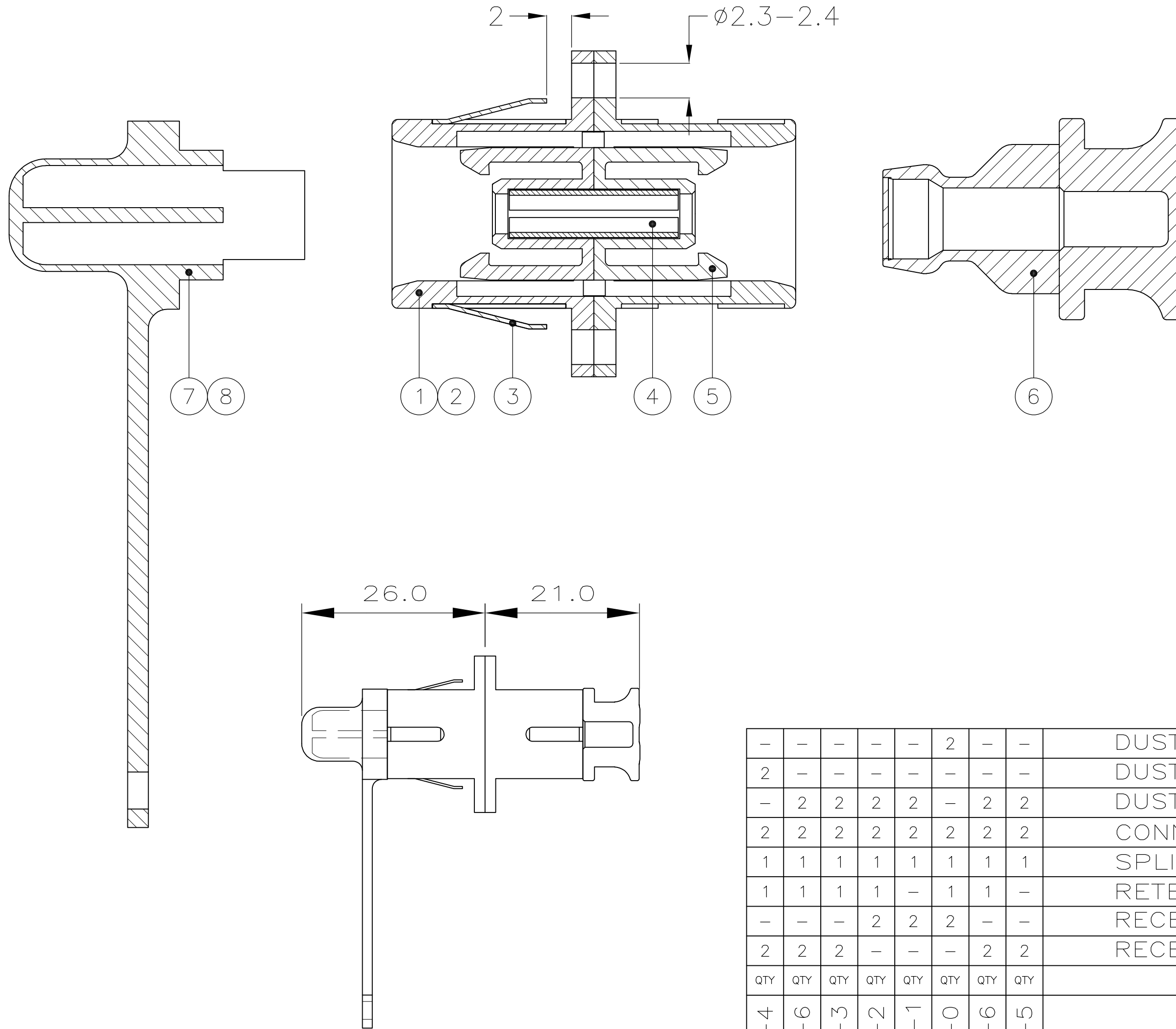
THIS DRAWING IS UNPUBLISHED. RELEASED FOR PUBLICATION
 © COPYRIGHT - By - ALL RIGHTS RESERVED.

LOC		DIST		REVISIONS			
P	LTR	DESCRIPTION	DATE	DWN	APVD		
	W	ECR-12-002794	03OCT2012	RC	AH		

NOTES:

- 1 MATERIAL:
 RECEPTACLE HOUSING: THERMOPLASTIC.
 CONNECTOR RETAINER: THERMOPLASTIC, BLACK.
 SPLIT SLEEVE: ZrO2.
 DUST COVERS:
 ITEM 6: GLASS REINFORCED PBT
 ITEMS 7 & 8: THERMOPLASTIC ELASTOMER.

△ RESTRICTED PART NUMBER



QTY	QTY	QTY	QTY	QTY	QTY	QTY	QTY	DESCRIPTION	ITEM No.
-	-	-	-	-	2	-	-	DUST COVER, STRAP TYPE, BLUE	8
2	-	-	-	-	-	-	-	DUST COVER, STRAP TYPE, GREEN	7
-	2	2	2	2	-	2	2	DUST COVER, NO STRAP, WHITE	6
2	2	2	2	2	2	2	2	CONNECTOR RETAINER	5
1	1	1	1	1	1	1	1	SPLIT SLEEVE	4
1	1	1	1	-	1	1	-	RETENTION CLIP	3
-	-	-	2	2	2	-	-	RECEPTACLE HOUSING, BLUE	2
2	2	2	-	-	-	2	2	RECEPTACLE HOUSING, GREEN	1

THIS DRAWING IS A CONTROLLED DOCUMENT.

DWN	A Middeldorp	13AUG95		TE Connectivity
CHK	A Hengelmolen	01JUN04		
APVD	A Hengelmolen	01JUN04		
PRODUCT SPEC				
APPLICATION SPEC			NAME	FOAC SC ADAPTER CERAMIC ALIGNMENT SLEEVE
WEIGHT	-		SIZE	A2
CUSTOMER DRAWING			CAGE CODE	00779
			DRAWING NO	C=106901
			RESTRICTED TO	-
			SCALE	NTS
			SHEET	1 OF 1
			REV	W