

**6 & 8 VERSIONS**

8 VERSION SHOWN

**NOTES :**

- 1- MATERIAL:  
 -HOUSING: LCP GLASS FILLED UL 94V-0, COLOUR BLACK.  
 -TERMINAL: PHOSPHOR BRONZE .  
 PLATING 2:  
 POST PLATE (0.00127)/.000050 MIN GOLD IN CONTACT AREA  
 (0.00190)/.000075 MIN PURE TIN IN TAIL AREA  
 BOTH OVER (0.00127)/.000050 MIN NICKEL OVERALL.
- 2- JACK FOR MATING WITH F.C.C. 68 PLUGS 90075 MOLEX SERIES.  
 3- PRODUCT SPECIFICATION PS-9550I.  
 4- PACKAGING SPECIFICATION PK-9500I: STANDARD PACKAGING SHEET 1.  
 SPECIAL PACKAGING SHEET 2. TUBE PACKAGING SHEET 3.  
 5- MANUFACTURING I.D. CAN BE EITHER MXF, MG OR MXI.

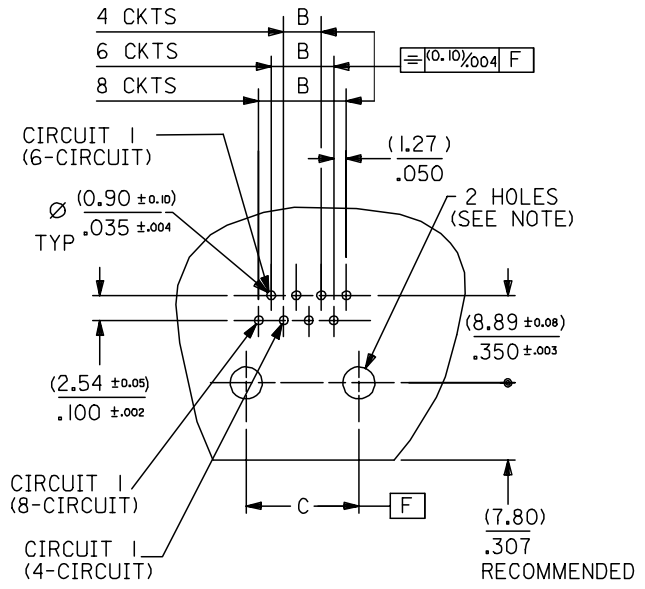
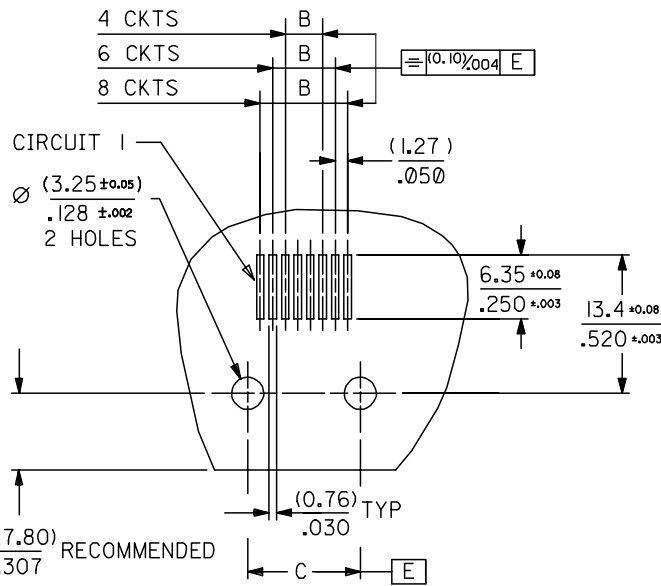
MODIFIED NOTES. EC NO: E2007-0513 DRWN: DBYRNES 2007/01/08 CHKD: 2007/01/08 APPR: EOMAHONY 2007/01/09	QUALITY SYMBOLS	GENERAL TOLERANCES (UNLESS SPECIFIED)	DIMENSION STYLE	SCALE	DESIGN UNITS	THIRD ANGLE PROJECTION																		
	$\nabla = 0$ $\triangle = 0$	<table border="1"> <thead> <tr> <th></th> <th>mm</th> <th>INCH</th> </tr> </thead> <tbody> <tr> <td>4 PLACES</td> <td>± ---</td> <td>± ---</td> </tr> <tr> <td>3 PLACES</td> <td>± ---</td> <td>± .006</td> </tr> <tr> <td>2 PLACES</td> <td>± 0.15</td> <td>± .010</td> </tr> <tr> <td>1 PLACE</td> <td>± 0.25</td> <td>± ---</td> </tr> <tr> <td colspan="3">ANGULAR ± ---°</td> </tr> </tbody> </table>		mm	INCH	4 PLACES	± ---	± ---	3 PLACES	± ---	± .006	2 PLACES	± 0.15	± .010	1 PLACE	± 0.25	± ---	ANGULAR ± ---°			MM/IN	4:1	METRIC	
		mm	INCH																					
	4 PLACES	± ---	± ---																					
3 PLACES	± ---	± .006																						
2 PLACES	± 0.15	± .010																						
1 PLACE	± 0.25	± ---																						
ANGULAR ± ---°																								
	DRAFT WHERE APPLICABLE MUST REMAIN WITHIN DIMENSIONS	DRAWN BY: DBYRNES CHECKED BY: EOMAHONY APPROVED BY: EOMAHONY DATE: 2006/08/02 DATE: 2006/08/12 DATE: 2006/08/12	TITLE	R/A LOW PROFILE PC JACK 4,6,8 CKTS SIZE THROUGH HOLE VERSION																				
		SEE CHART SHEETS 4.56&8	MATERIAL NO. SIZE A3	DOCUMENT NO. SD-95501-001	MOLEX INCORPORATED SHEET NO. 1 OF 5																			

TYPE \ DIM.	POS. 4		POS. 6		POS. 8
	4 CKTS.	4 CKTS.	6 CKTS.	6 CKTS.	8 CKTS.
A	(11.18) / .440	(13.21) / .520	(13.21) / .520	(15.24) / .600	
C $\pm 0.05 / \pm 0.002$	(7.62) / .300	(10.16) / .400	(10.16) / .400	(11.43) / .450	
B $\pm 0.05 / \pm 0.002$	(3.81) / .150	(3.81) / .150	(6.35) / .250	(8.89) / .350	

P.C.B. MOUNTING PATTERNS - SEE FROM COMPONENT SIDE

FOR SMT JACK TYPE (SURFACE MOUNT)

FOR STANDARD JACK TYPE (THROUGH HOLE)



FOR ALL VERSIONS, CIRCUIT 1 ALWAYS ON THE LEFT SIDE

NOTE:  
 FOR CONVECTION SOLDERING: DIA 3.25±0.05 / .128±.002  
 FOR WAVE SOLDERING: DIA 3.20±0.10 / .126±.004

ORIGINAL	EC NO: E2007-0117	2006/10/11
	DRWN: DBYRNES	2006/10/11
	CHKD:	
	APPR: EOMAHONY	2006/10/12
A	REV	

QUALITY SYMBOLS	▽=0
	∇=0

GENERAL TOLERANCES (UNLESS SPECIFIED)	MM	INCH
4 PLACES	± ---	± ---
3 PLACES	± ---	± .006
2 PLACES	± 0.15	± .010
1 PLACE	± 0.25	± ---
ANGULAR	± ---°	
DRAFT WHERE APPLICABLE MUST REMAIN WITHIN DIMENSIONS		

DIMENSION STYLE		SCALE	DESIGN UNITS	THIRD ANGLE PROJECTION
MM/IN		2:1	METRIC	
DRAWN BY	DATE	TITLE		
DBYRNES	2006/08/02	R/A LOW PROFILE JACK PC JACK 4,6,8 CKT SIZE SMT AND STANDARD VERSION		
CHECKED BY	DATE	MOLEX INCORPORATED		
EOMAHONY	2006/08/12			
APPROVED BY	DATE	DOCUMENT NO.		
EOMAHONY	2006/08/12	SD-95501-001		
MATERIAL NO.	SEE CHART SHEETS 4,5&6	SHEET NO.		
		3 OF 5		

MATERIAL NO.		DOCUMENT NO.		SHEET NO.
SEE CHART SHEETS 4,5&6		SD-95501-001		3 OF 5
THIS DRAWING CONTAINS INFORMATION THAT IS PROPRIETARY TO MOLEX INCORPORATED AND SHOULD NOT BE USED WITHOUT WRITTEN PERMISSION				

STANDARD PACKAGING OPEN TRAY ,SEE PACKAGING SPEC PK95001 SHEET 1

PART NO FOR JACK ASSEMBLY  
THROUGH HOLE VERSION

HOUSING SIZE	LOADED CONTACTS	PLATING	LCP GLASS FILED 94V0,COLOR BLACK.						
			NO KEY NOT RIBBED	TOOLED	KEY NOT RIBBED	TOOLED	TOOLED	TOOLED	
4	4	2	95501-2441	X					
6	4	2	95501-2641	X					
6	6	2	95501-2661	X					
8	8	2	95501-2881	X	95501-2882	X			

ORIGINAL EC NO: E2007-0117 DRWN:DBYRNES 2006/10/11 CHKD: 2006/10/11 APPR:EOMAHONY 2006/10/12 A	QUALITY SYMBOLS ▽=0 ▽=0	GENERAL TOLERANCES (UNLESS SPECIFIED) <table border="1"> <tr> <th></th> <th>mm</th> <th>INCH</th> </tr> <tr> <td>4 PLACES</td> <td>±---</td> <td>±---</td> </tr> <tr> <td>3 PLACES</td> <td>±---</td> <td>±---</td> </tr> <tr> <td>2 PLACES</td> <td>±---</td> <td>±---</td> </tr> <tr> <td>1 PLACE</td> <td>±---</td> <td>±---</td> </tr> <tr> <td colspan="3">ANGULAR ±---°</td> </tr> </table>		mm	INCH	4 PLACES	±---	±---	3 PLACES	±---	±---	2 PLACES	±---	±---	1 PLACE	±---	±---	ANGULAR ±---°			DIMENSION STYLE MM ONLY	SCALE ---	DESIGN UNITS METRIC	THIRD ANGLE PROJECTION
		mm	INCH																					
	4 PLACES	±---	±---																					
	3 PLACES	±---	±---																					
2 PLACES	±---	±---																						
1 PLACE	±---	±---																						
ANGULAR ±---°																								
DRAWN BY DBYRNES	DATE 2006/08/02	TITLE LOW PROFILE R/A JACK STANDARD T/HOLE VERSION STANDARD OPEN TRAY VERS																						
CHECKED BY EOMAHONY	DATE 2006/08/12	MOLEX INCORPORATED																						
APPROVED BY EOMAHONY	DATE 2006/08/12	MATERIAL NO. SEE CHART	DOCUMENT NO. SD-95501-001	SHEET NO. 4 OF 5																				

DRAFT WHERE APPLICABLE MUST REMAIN WITHIN DIMENSIONS

THIS DRAWING CONTAINS INFORMATION THAT IS PROPRIETARY TO MOLEX INCORPORATED AND SHOULD NOT BE USED WITHOUT WRITTEN PERMISSION