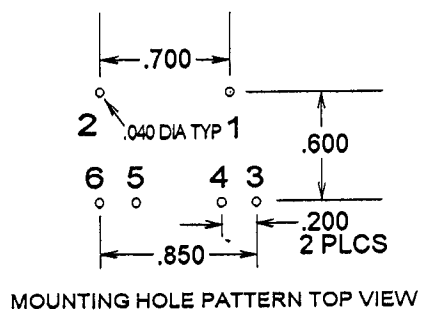
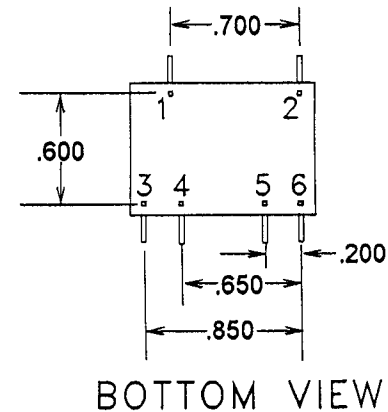
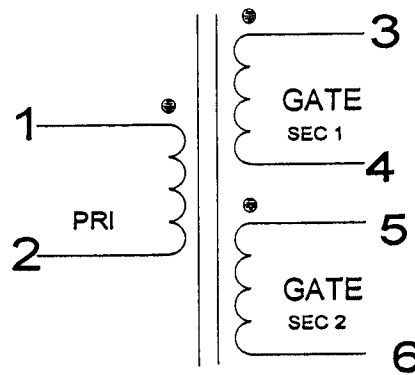
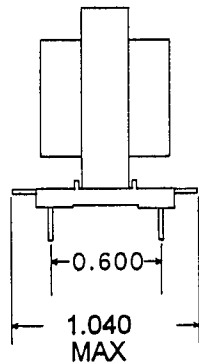
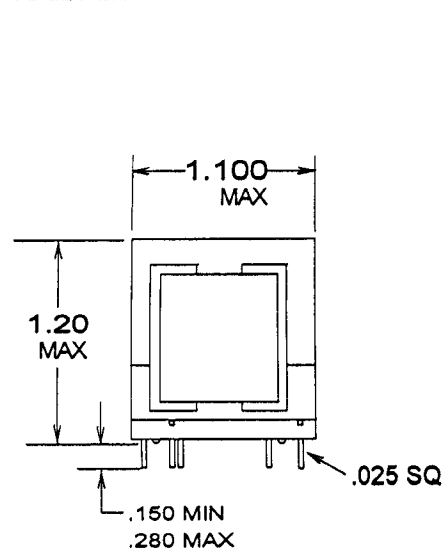


TOLERANCE UNLESS SPECIFIED = .XXX = +/- .005 .XX = +/- .015 FRACTIONS = +/- .032

GDE25-2.DC2



PRODUCTION TESTS

URNS RATIO = 100%

DC RESISTANCE IN OHMS	(1 - 2) .200 MAX
	(3 - 4) .400 MAX
	(5 - 6) .400 MAX

APPLY = .1V @ 10 KHZ PIN (1 - 2)

INDUCTANCE = 680 uHYS MIN PINS (1 - 2)

LEAKAGE INDUCTANCE = 2.50 uHYS MAX 1 TO 2
WITH 3 TO 6 SHORTED AND 5 TO 6 SHORTED

HIPOT = 4125 VRMS 1 SEC MIN PRI TO SEC
2500 VRMS 1 SEC MIN SEC TO CORE
2500 VRMS 1 SEC MIN PRI TO CORE
2500 VRMS 1 SEC MIN SEC TO SEC

CONTINUITY =

IMPREGNATION NOTES = 2 HR PREHEAT
PINS MUST BE FREE OF IMPREGNATION

FINAL ASSEMBLY NOTES

MagneTek

METHOD BUTT WITH NO GAP

MARKING ON OUR#, DATECODE, SITECODE, B3 ON LABEL ON CORE

PART NO. GDE25-2