



T-1³/₄ DUAL STACKED PCB MOUNT LEDs

Data Display Products®

Standard

- Red, Amber, Amber/Yellow, Yellow, Green, Blue
- Color Combinations Available
- For Detailed LED Data, See Discrete Section, MODEL 200

Model		LED 1 [Top] (Model 200)				LED 2 [Bottom] (Model 200)					
		Color	λpk (nm)	Iv[I] (mcd)	Description	Color	λpk (nm)	Iv[I] (mcd)	Description		
PCT200	Right Angle Mount	-ER	RED	660	30	Diffused	/ER	RED	660	30	Diffused
		-UR	RED	660	120	Diffused	/UR	RED	660	120	Diffused
		-ECR	RED	660	160	Non-Diffused	/ECR	RED	660	160	Non-Diffused
		-EWR	RED	660	160	Water Clear	/EWR	RED	660	160	Water Clear
		-UCR	RED	660	400	Non-Diffused	/UCR	RED	660	400	Non-Diffused
		-UWR	RED	660	400	Water Clear	/UWR	RED	660	400	Water Clear
		-R2K	RED	650	2000	Water Clear	/R2K	RED	650	2000	Water Clear
		-R3K	RED	650	3000	Water Clear	/R3K	RED	650	3000	Water Clear
		-R1K	RED	645	1000	Water Clear	/R1K	RED	645	1000	Water Clear
		-MR	RED	635	15	Diffused	/MR	RED	635	15	Diffused
		-BR	RED	635	14	Diffused	/BR	RED	635	14	Diffused
		-MCR	RED	635	100	Non-Diffused	/MCR	RED	635	100	Non-Diffused
		-BCR	RED	635	120	Non-Diffused	/BCR	RED	635	120	Non-Diffused
		-EA	AMB	605	24	Diffused	/EA	AMB	605	24	Diffused
		-UA	AMB	605	80	Diffused	/UA	AMB	605	80	Diffused
		-ECA	AMB	605	90	Non-Diffused	/ECA	AMB	605	90	Non-Diffused
		-EWA	AMB	605	90	Water Clear	/EWA	AMB	605	90	Water Clear
		-UCA	AMB	605	200	Non-Diffused	/UCA	AMB	605	200	Non-Diffused
		-UWA	AMB	605	200	Water Clear	/UWA	AMB	605	200	Water Clear
		-A3K	AMB	594	3000	Water Clear	/A3K	AMB	594	3000	Water Clear
		-MA	AMB	585	15	Diffused	/MA	AMB	585	15	Diffused
		-MCA	AMB	585	90	Non-Diffused	/MCA	AMB	585	90	Non-Diffused
		-BA	AMB	583	16	Diffused	/BA	AMB	583	16	Diffused
		-BCA	AMB	583	100	Non-Diffused	/BCA	AMB	583	100	Non-Diffused
		-EAY	AMB/YEL	580	24	Diffused	/EAY	AMB/YEL	580	24	Diffused
		-UAY	AMB/YEL	580	60	Diffused	/UAY	AMB/YEL	580	60	Diffused
		-BCAY	AMB/YEL	580	90	Non-Diffused	/BCAY	AMB/YEL	580	90	Non-Diffused
		-EWAY	AMB/YEL	580	90	Water Clear	/EWAY	AMB/YEL	580	90	Water Clear
		-UCAY	AMB/YEL	580	200	Non-Diffused	/UCAY	AMB/YEL	580	200	Non-Diffused
		-UWAY	AMB/YEL	580	200	Water Clear	/UWAY	AMB/YEL	580	200	Water Clear
		-EY	YEL	570	45	Diffused	/EY	YEL	570	45	Diffused
		-UY	YEL	570	100	Diffused	/UY	YEL	570	100	Diffused
-BCY	YEL	570	160	Non-Diffused	/BCY	YEL	570	160	Non-Diffused		
-EWY	YEL	570	160	Water Clear	/EWY	YEL	570	160	Water Clear		
-UCY	YEL	570	350	Non-Diffused	/UCY	YEL	570	350	Non-Diffused		
-UWY	YEL	570	350	Water Clear	/UWY	YEL	570	350	Water Clear		
-BG	GRN	565	10	Diffused	/BG	GRN	565	10	Diffused		
-BCG	GRN	565	140	Non-Diffused	/BCG	GRN	565	140	Non-Diffused		

continued



T-1³/₄ DUAL STACKED PCB MOUNT LEDs

Data Display Products®

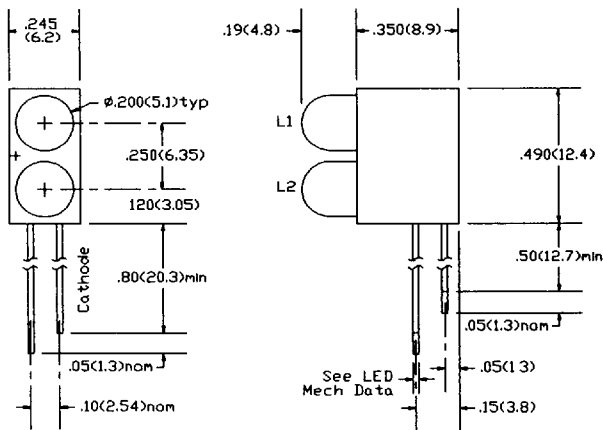
Standard

Model	LED 1 [Top] (Model 200)				LED 2 [Bottom] (Model 200)				
	Color	λpk (nm)	Iv(1) (mcd)	Description	Color	λpk (nm)	Iv(1) (mcd)	Description	
-MG	GRN	562	20	Diffused	/MG	GRN	562	20	Diffused
-MCG	GRN	562	100	Non-Diffused	/MCG	GRN	562	100	Non-Diffused
-BG	GRN	555	12	Diffused	/BG	GRN	555	12	Diffused
-UG	GRN	555	40	Diffused	/UG	GRN	555	40	Diffused
-BCG	GRN	555	80	Non-Diffused	/BCG	GRN	555	80	Non-Diffused
-EWG	GRN	555	80	Water Clear	/EWG	GRN	555	80	Water Clear
-UCG	GRN	555	200	Non-Diffused	/UCG	GRN	555	200	Non-Diffused
-UWG	GRN	555	200	Water Clear	/UWG	GRN	555	200	Water Clear
-SCB	BLU	470	7	Non-Diffused	/SCB	BLU	470	7	Non-Diffused
-SMB	BLU	468	3	Diffused	/SMB	BLU	468	3	Diffused
-SWB	BLU	468	12	Water Clear	/SWB	BLU	468	12	Water Clear

[1] Iv = typical luminous intensity @ If = 20mA (Ta = 25°C). For "U" Series LEDs, If=40mA.

To Order: Select one **BOLD** component from each **SHADED** column in the table except as noted.

Examples: **PCT200-BCR/BCG** (Model PCT200, B Series, Non-Diffused, RED LED on top, B Series, Non-Diffused, GRN LED on bottom)
PCT200-UY/UG (Model PCT200, U Series, Diffused, YEL LED on top, U Series, Diffused, GRN LED on bottom)



PCT200



All dimensions are in inches(mm)
 Tolerances: .xx"(x) ± .025"(.63) / .xxx"(xx) ± .010"(.25)
 Specifications are subject to change without notice.

T-1^{3/4} DUAL STACKED PCB MOUNT LEDs**Data Display Products®***Specialty Operation*

- Low Power, Bi-Color, Blinking, Integrated Resistor
- Red, Amber, Green
- For Detailed LED Data, See Discrete Section, MODEL 200

Model		LED 1[Top](Model 200)				LED 2[Bottom](Model 200)					
		Color	λ_{pk} (nm)	$I_v[1]$ (mcd)	Description	Color	λ_{pk} (nm)	$I_v[1]$ (mcd)	Description		
PCT200	Right Angle Mount	-RLP	RED	635	2.0	Low Power	/RLP	RED	635	2.0	Low Power
		-ALP	AMB	583	1.8	Low Power	/ALP	AMB	583	1.8	Low Power
		-GLP	GRN	565	1.8	Low Power	/GLP	GRN	565	1.8	Low Power
		-LRG	R/G	660/565	70/32	Bi-Color, Green Cathode	/LRG	R/G	660/565	70/32	Bi-Color, Green Cathode
		-RRB	RED	660	22	Blinking	/RRB	RED	660	22	Blinking
		-RB	RED	630	7	Blinking	/RB	RED	630	7	Blinking
		-AB	AMB	585	6	Blinking	/AB	AMB	585	6	Blinking
		-GB	GRN	567	8	Blinking	/GB	GRN	567	8	Blinking
		-RR5V	RED	635	8	Integrated Resistor for 5VDC	/RR5V	RED	635	8	Integrated Resistor for 5VDC
		-RA5V	AMB	583	8	Integrated Resistor for 5VDC	/RA5V	AMB	583	8	Integrated Resistor for 5VDC
		-RG5V	GRN	565	8	Integrated Resistor for 5VDC	/RG5V	GRN	565	8	Integrated Resistor for 5VDC
		-BR12V	RED	635	8	Integrated Resistor for 12VDC	/BR12V	RED	635	8	Integrated Resistor for 12VDC
-BA12V	AMB	583	8	Integrated Resistor for 12VDC	/BA12V	AMB	583	8	Integrated Resistor for 12VDC		
-BG12V	GRN	565	8	Integrated Resistor for 12VDC	/BG12V	GRN	565	8	Integrated Resistor for 12VDC		

[1] I_v = typical luminous intensity @ $I_f = 20\text{mA}$ ($T_a = 25^\circ\text{C}$). For Low Power LEDs, @ $I_f = 2\text{mA}$. For Blinking LEDs, @ $V_f = 5\text{VDC}$. For Integrated Resistor LEDs, @ $V_f = 5\text{VDC}$, or @ $V_f = 12\text{VDC}$.

To Order: Select one **BOLD** component from each **SHADED** column in the table except as noted.

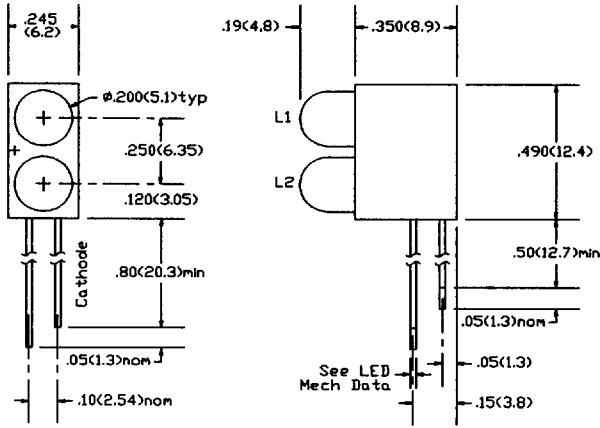
Examples: PCT200-**BR12V**/**BR12V** (Model PCT200, RED 12VDC Integrated Resistor LED on top and bottom)
PCT200-**RLP**/**GLP** (Model PCT200, Low Power RED LED on top, Low Power GRN LED on bottom)



T-1³/₄ DUAL STACKED PCB MOUNT LEDs

Data Display Products®

Specialty Operation



PCT200

All dimensions are in inches(mm)
 Tolerances: .xx"(x) ± .025"(.63) / .xxx"(xx) ± .010"(.25)
 Specifications are subject to change without notice.