



High-Speed CMOS 1-of-8 Decoders

QS54/74FCT138T
QS54/74FCT238T

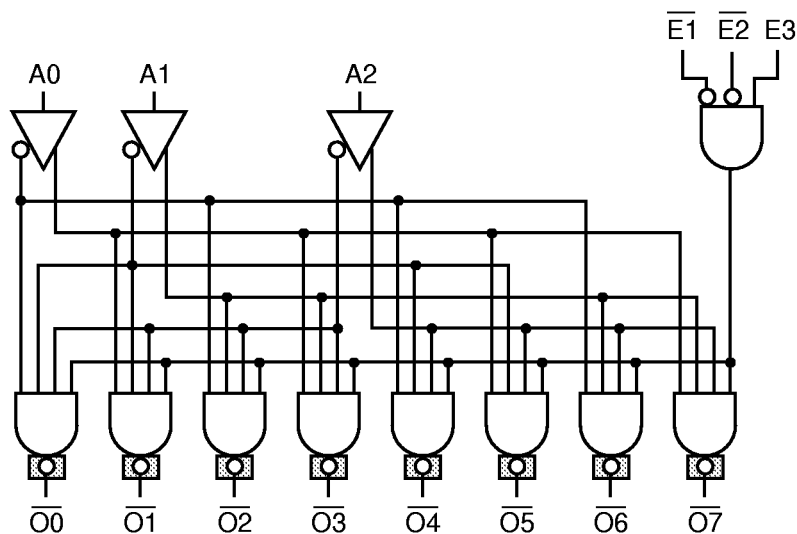
FEATURES/BENEFITS


- QSFCT138A faster than 74F
- Industrial temperature -40°C to 85°C
- $I_{OL} = 48\text{mA IND}, 32\text{mA MIL}$
- TTL-compatible input and output levels
- Mil product compliant with MIL-STD 883, Class B
- QSFCT238T has positive active outputs
- CMOS power levels $< 7.5\text{mW}$ static
- Available in DIP, SOIC, QSOP, HQSOP
- JEDEC standard pinouts

DESCRIPTION

The QSFCT138T and QSFCT238T are high-speed CMOS TTL-compatible high-speed binary decoders. The QSFCT138T has negative active outputs, and the QSFCT238T has positive active outputs. The high output current I_{OL} and I_{OH} drive high-capacitance loads. All inputs have clamp diodes for undershoot noise suppression. All outputs have ground bounce suppression (see QSI Application Note AN-001), and outputs will not load an active bus when V_{CC} is removed from the device.

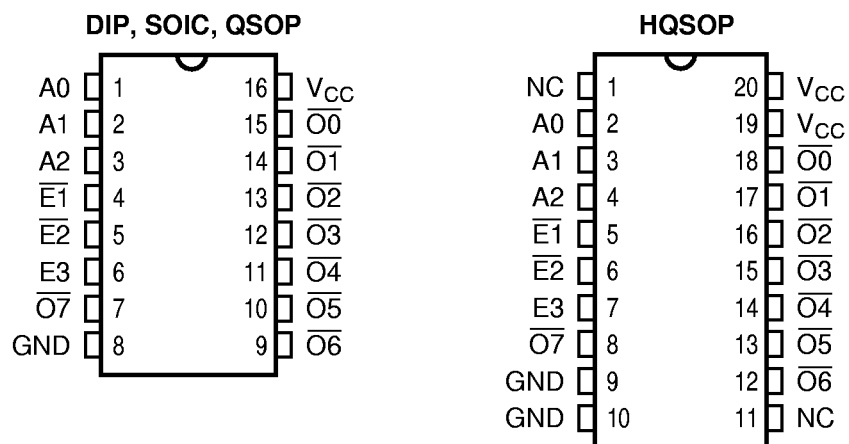
Figure 1. Functional Block Diagram



 Inverting Outputs on 138 Only
(Non-inverting Outputs on 238)

QS54/74FCT138T, 238T

Figure 2. Pin Configurations (All Pins Top View)



Note: Available in both 150-mil wide SOIC (Package Code SI) and 300-mil SOIC (Package Code SO).

Table 1. Pin Description and Function Table

Name	I/O	Description	Output Level	
			138	238
A2-A0	I	Select Inputs		
$\overline{O7-O0}$	O	Decode Outputs	H	L
$\overline{E1}, \overline{E2}, E3$	I	Enable	L	H

Enable			Select			Output							Function	
$\overline{E1}$	$\overline{E2}$	E3	A2	A1	A0	$\overline{O7}$	$\overline{O6}$	$\overline{O5}$	$\overline{O4}$	$\overline{O3}$	$\overline{O2}$	$\overline{O1}$		$\overline{O0}$
H	X	X	X	X	X	0	0	0	0	0	0	0	0	Disable
X	H	X	X	X	X	0	0	0	0	0	0	0	0	Disable
X	X	L	X	X	X	0	0	0	0	0	0	0	0	Disable
L	L	H	L	L	L	0	0	0	0	0	0	0	1	A2-0 = 0
L	L	H	L	L	H	0	0	0	0	0	0	1	0	A2-0 = 1
L	L	H	L	H	L	0	0	0	0	0	1	0	0	A2-0 = 2
L	L	H	L	H	H	0	0	0	0	1	0	0	0	A2-0 = 3
L	L	H	H	L	L	0	0	0	1	0	0	0	0	A2-0 = 4
L	L	H	H	L	H	0	0	1	0	0	0	0	0	A2-0 = 5
L	L	H	H	H	L	0	1	0	0	0	0	0	0	A2-0 = 6
L	L	H	H	H	H	1	0	0	0	0	0	0	0	A2-0 = 7

Table 2. Absolute Maximum Ratings

Supply Voltage to Ground	-0.5V to 7.0V
DC Output Voltage V_{OUT}	-0.5V to 7.0V
DC Input Voltage V_{IN}	-0.5V to 7.0V
AC Input Voltage (for a pulse width ≤ 20 ns)	-3.0V
DC Input Diode Current with $V_{IN} < 0$	-20mA
DC Output Diode Current with $V_{OUT} < 0$	-50mA
DC Output Current Max. Sink Current/Pin	120mA
Maximum Power Dissipation	0.5 watts
T_{STG} Storage Temperature	-65° to 150°C

Note: Stresses greater than those listed under ABSOLUTE MAXIMUM RATINGS may cause permanent damage to this device resulting in functional or reliability type failures.

Table 3. Capacitance⁽¹⁾

$T_A = 25^\circ\text{C}$, $f = 1\text{MHz}$, $V_{IN} = 0\text{V}$, $V_{OUT} = 0\text{V}$

Pins ⁽²⁾	SOIC	QSOP	PDIP	Unit
1-3	4	4	5	pF
7, 9-12	6	6	7	pF
4-6, 13-15	8	8	9	pF

Notes:

1. Capacitance is characterized but not tested.
2. Pin reference for 16-pin package.

Table 4. DC Electrical Characteristics Over Operating Range

Industrial $T_A = -40^\circ\text{C}$ to 85°C , $V_{CC} = 5.0\text{V} \pm 5\%$

Military $T_A = -55^\circ\text{C}$ to 125°C , $V_{CC} = 5.0\text{V} \pm 10\%$

Symbol	Parameter	Test Conditions	Min	Typ ⁽¹⁾	Max	Unit
V_{IH}	Input HIGH Voltage	Logic HIGH for All Inputs	2.0	—	—	V
V_{IL}	Input LOW Voltage	Logic LOW for All Inputs	—	—	0.8	V
ΔV_T	Input Hysteresis	$V_{TLH} - V_{THL}$ for All Inputs	—	0.2	—	V
$ I_{IH} $ $ I_{IL} $	Input Current Input HIGH or LOW	$V_{CC} = \text{Max.}, 0 \leq V_{IN} < V_{CC}$	—	—	5	μA
I_{OS}	Short Circuit Current	$V_{CC} = \text{Max.}, V_{OUT} = \text{GND}^{(2,3)}$	-60	—	—	mA
V_{IC}	Input Clamp Voltage	$V_{CC} = \text{Min.}, I_{IN} = -18\text{mA}, T_A = 25^\circ\text{C}^{(3)}$	—	-0.7	-1.2	V
V_{OH}	Output HIGH Voltage	$V_{CC} = \text{Min.}, I_{OH} = -12\text{mA (MIL)}$ $I_{OH} = -15\text{mA (IND)}$	2.4 2.4	—	—	V
V_{OL}	Output LOW Voltage	$V_{CC} = \text{Min.}, I_{OL} = 32\text{mA (MIL)}$ $I_{OL} = 48\text{mA (IND)}$	— —	—	0.50 0.50	V

Notes:

1. Typical values indicate $V_{CC} = 5.0\text{V}$ and $T_A = 25^\circ\text{C}$.
2. Not more than one output should be shorted and the duration is ≤ 1 second.
3. These parameters are guaranteed by design but not tested.

Table 5. Power Supply Characteristics

Symbol	Parameter	Test Conditions ⁽¹⁾	Min	Max	Unit
I_{CC}	Quiescent Power Supply Current	$V_{CC} = \text{Max.}$, freq = 0 $0V \leq V_{IN} \leq 0.2V$ or $V_{CC}-0.2V \leq V_{IN} \leq V_{CC}$	—	1.5	mA
ΔI_{CC}	Supply Current per Input @ TTL HIGH	$V_{CC} = \text{Max.}$, $V_{IN} = 3.4V$, freq = 0 ⁽²⁾	—	2.0	mA
Q_{CCD}	Supply Current per Input per MHz	$V_{CC} = \text{Max.}$, Outputs Open and Enabled One Bit Toggling @ 50% Duty Cycle Other Inputs at GND or V_{CC} ^(3,4)	—	0.25	mA/ MHz

Notes:

1. For conditions shown as Min. or Max., use the appropriate values specified under DC specifications.
2. Per TTL driven input ($V_{IN} = 3.4V$).
3. For flip-flops, Q_{CCD} is measured by switching one of the data input pins so that the output changes every clock cycle. This is a measurement of device power consumption only and does not include power to drive load capacitance or tester capacitance. This parameter is guaranteed by design but not tested.
4. I_C can be computed using the above parameters as explained in the Technical Overview section.

Table 6. Switching Characteristics Over Operating Range

Industrial $T_A = -40^\circ\text{C}$ to 85°C , $V_{CC} = 5.0V \pm 5\%$ Military $T_A = -55^\circ\text{C}$ to 125°C , $V_{CC} = 5.0V \pm 10\%$
 $C_{LOAD} = 50\text{pF}$, $R_{LOAD} = 500\Omega$ unless otherwise specified.

Symbol	Description ⁽¹⁾		138		138A 238A		138C 238C		138D		Unit
			Min	Max	Min	Max	Min	Max	Min	Max	
t_{PHL}	Propagation Delay	Ind	1.5	9	1.5	5.8	1.5	5.0	1.0	4.0	ns
t_{PLH}	A_i to \overline{O}_i	Mil	1.5	12	1.5	7.8	1.5	7.0	—	—	
t_{PHLE}	Propagation Delay	Ind	1.5	8	1.5	5.9	1.5	5.0	1.0	4.0	ns
t_{PLHE}	\overline{E}_i to \overline{O}_i	Mil	1.5	12	1.5	8.0	1.5	7.0	—	—	

Note: Minimums guaranteed but not tested. See Test Circuit and Waveforms.