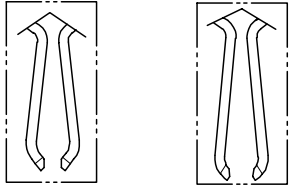
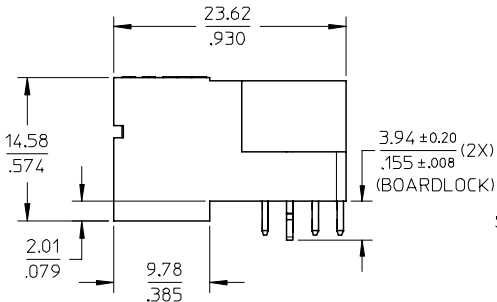
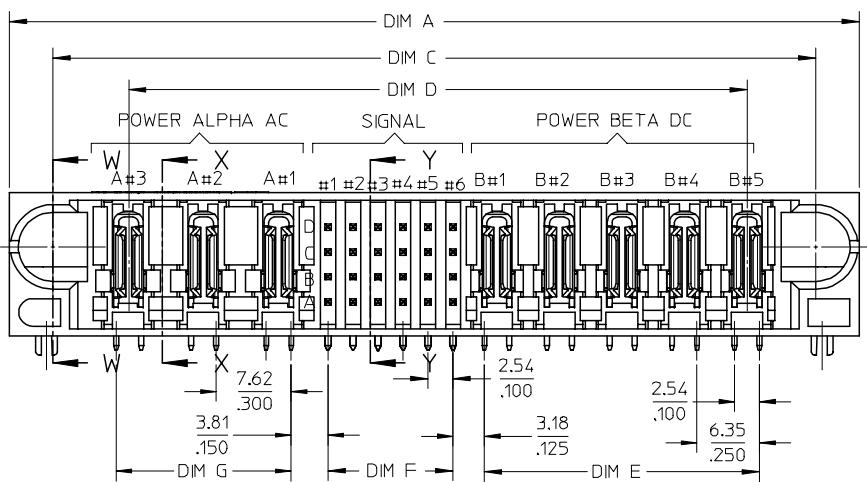


ISOMETRIC VIEW
3P(AC)-24S-5P(DC) FOR ILLUSTRATION



SHORT BLADE OPTION LONG BLADE OPTION

DETAIL R
(SEE TABLE FOR BLADE OPTION)

NOTES:

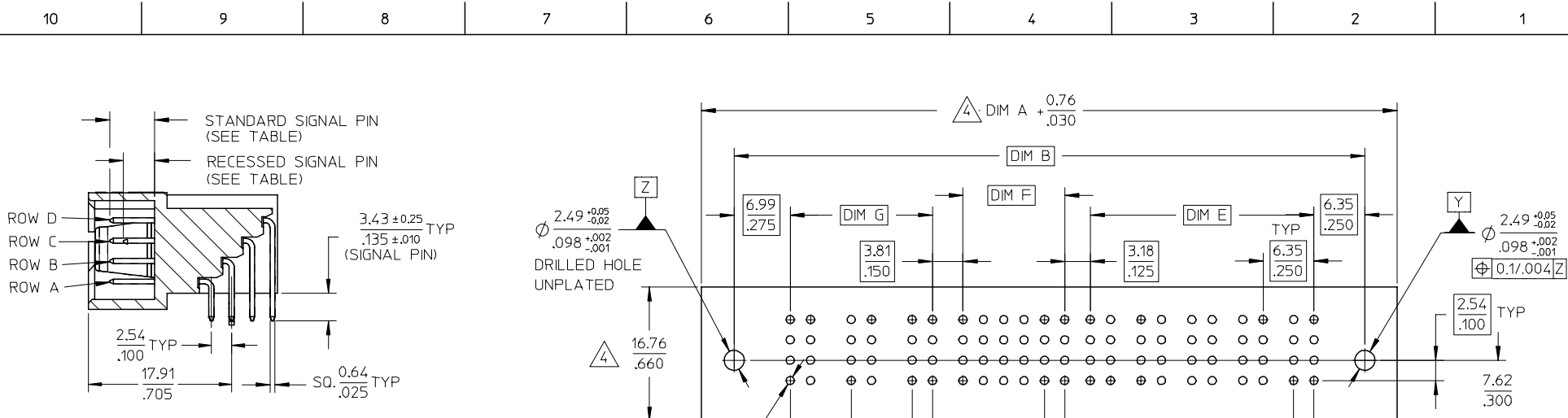
- MATERIALS:-
HOUSING - LCP, GLASS FILLED, UL94V-0, COLOUR: BLACK.
SIGNAL TERMINAL - COPPER ALLOY
POWER TERMINAL - COPPER ALLOY
- FINISH :-
SIGNAL & POWER CONTACTS
0.76 MICROMETER MINIMUM GOLD (Au) AT CONTACT AREA AND
2.54 MICROMETER MINIMUM TIN AT SOLDERTAIL AREA
OVER 1.27 MICROMETER MINIMUM NICKEL (Ni) UNDERPLATE.
- PRODUCT SPECIFICATION : PS-87663-006.
- COMPONENT STAY AWAY FROM CONNECTOR.
- PCB NOTE FOR DIAMETER 1.02/.040 PLATED HOLE.
- DRILLED HOLE SIZE IS 1.15/ .0453.
- PLATE WITH 0.007 / .0003 MINIMUM TIN OVER 0.03/.001
TO 0.08/.003 COPPER PLATING TO ACHIEVE 1.02±0.08/.040±.003 HOLE.
- MANUFACTURER LOGO, PART NUMBER AND YEAR-WEEK CODE.
LONG AND SHORT CONTACT POWER BLADE OPTIONS ARE AVAILABLE
FOR DIFFERENT CUSTOMERS REQUIREMENT.

PDR#S-001538-00-00
EC NO: S2007-0817
DRAWN:GEMENARLY
CHKD:SKANG
APPR:MLONG
2007/03/28
2007/03/28
2007/03/28

QUALITY SYMBOLS	▽=0
	▽=0
REV	D3

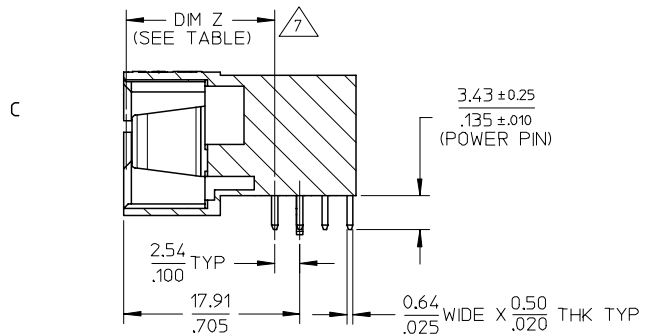
GENERAL TOLERANCES (UNLESS SPECIFIED)	MM	INCH
4 PLACES	± .10	± .004
3 PLACES	± .15	± .006
2 PLACES	± 0.25	± .010
1 PLACE	± .50	± .020
ANGULAR ± 3 °		
DRAFT WHERE APPLICABLE MUST REMAIN WITHIN DIMENSIONS		

DIMENSION STYLE		SCALE	DESIGN UNITS	THIRD ANGLE PROJECTION
MM/IN		NTS	METRIC	
DRAWN BY	DATE	TITLE		
BHLOW	2002/11/27	AC/DC POWER CONN. HEADER		
CHECKED BY	DATE	P(AC)-S-P(DC) CONFIG.		
PTL IM	2002/12/03	RIGHT ANGLE, BOARD-LOCK		
APPROVED BY	DATE	MOLEX INCORPORATED		
SKTOH	2002/12/03	MOLEX INCORPORATED		
MATERIAL NO.		DOCUMENT NO.	SHEET NO.	
SEE TABLE		SD-87663-010	1 OF 3	
SIZE A3 THIS DRAWING CONTAINS INFORMATION THAT IS PROPRIETARY TO MOLEX INCORPORATED AND SHOULD NOT BE USED WITHOUT WRITTEN PERMISSION				



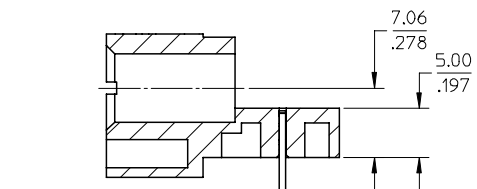
(TERMINAL LOCKING DETAIL NOT SHOWN)

SECTION Y-Y

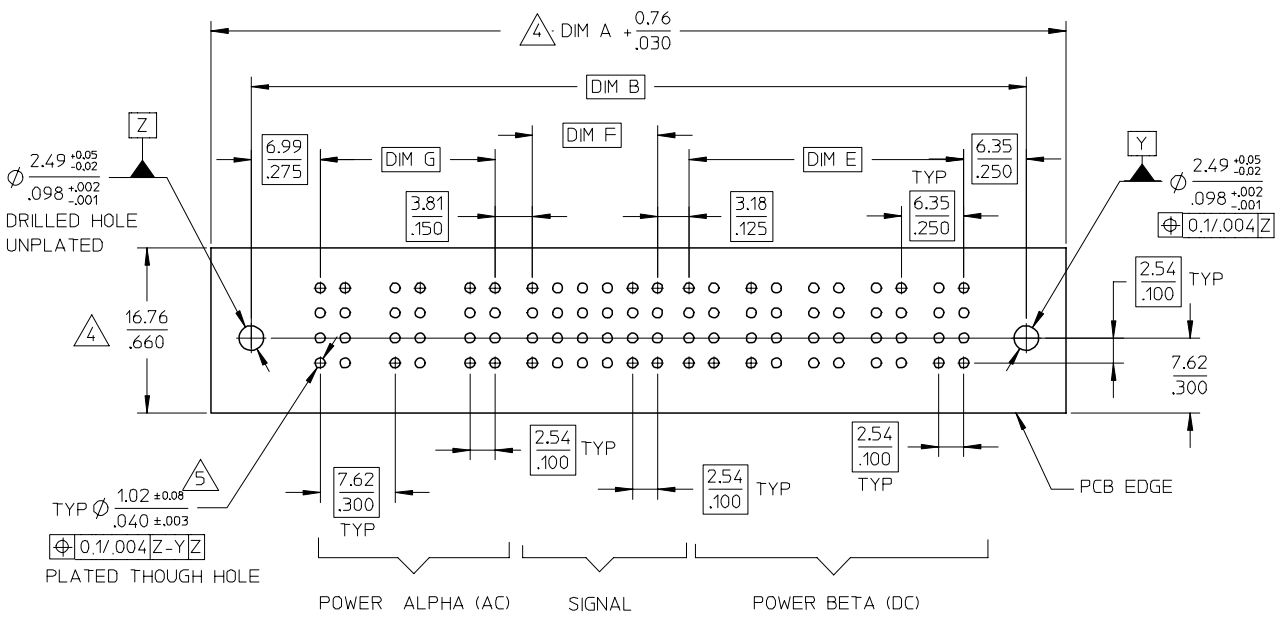


(TERMINAL LOCKING DETAIL NOT SHOWN)

SECTION X-X




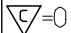
SECTION W-W



RECOMMENDED PCB LAYOUT

PDR# S-001538-00-00 EC NO: S2007-0817 DRWN: GEMENARY 2007/03/28 CHKD: SKANG 2007/03/28 APPR: MLONG 2007/03/28	QUALITY SYMBOLS ▽=0 ▽=0	GENERAL TOLERANCES (UNLESS SPECIFIED)		DIMENSION STYLE MM/IN		SCALE NTS	DESIGN UNITS METRIC	THIRD ANGLE PROJECTION		
		4 PLACES ± --- ± ---	mm INCH	DRAWN BY BHLW	DATE 2002/11/27	TITLE AC/DC POWER CONN. HEADER P(AC)-S-P(DC) CONFIG. RIGHT ANGLE, BOARD-LOCK				
		3 PLACES ± --- ± .010		CHECKED BY PTL IM	DATE 2002/12/03	MOLEX INCORPORATED				
		2 PLACES ± 0.25 ± ---		APPROVED BY SKTOH	DATE 2002/12/03	MATERIAL NO. SEE TABLE	DOCUMENT NO. SD-87663-010	SHEET NO. 2 OF 3		
1 PLACE ± --- ± ---		ANGULAR ± 3 °		DRAFT WHERE APPLICABLE MUST REMAIN WITHIN DIMENSIONS		THIS DRAWING CONTAINS INFORMATION THAT IS PROPRIETARY TO MOLEX INCORPORATED AND SHOULD NOT BE USED WITHOUT WRITTEN PERMISSION				

PART NUMBER	P-S-P CONFIGURATION			POWER BLADE OPTIONS								STANDARD PIN			RECESSED PIN			VOID PIN LOCATION		PACKAGING		
	POWER ALPHA AC	SIGNAL	POWER BETA DC	DIM A	DIM B	DIM C	DIM D	DIM E	DIM F	DIM G	TYPE	DIM Z ±0.13/.005	LOCATION	ROW	COLUMN	LENGTH	ROW	COLUMN	LENGTH		ROW	COLUMN
87663-9000	3	24	5	86.36 3.400	78.74 3.100	77.47 3.050	62.88 2.475	27.94 1.100	12.70 .500	17.78 .700	SHORT CONTACT	13.32/.524	ALL	D C B A	1,2,3,4,6 1,2,4,5,6 1,2,3,4,5 1,2,4,5,6	5.59/.220	D C B A	5 3 6 3	4.32/.170	D C B A	NIL	TRAY
87663-9001	3	24	6	92.71 3.650	85.09 3.350	83.82 3.300	69.22 2.725	34.29 1.350	12.70 .500	17.78 .700	LONG CONTACT	14.12/.556	ALL	D C B A	1 - 6 1 - 6 1 - 6 2,3,4,5,6	6.86/.270	D C B A	- - - 1	5.59/.220	D C B A	NIL	TRAY
87663-9002	3	24	4	80.01 3.150	72.39 2.850	71.12 2.800	56.52 2.225	21.59 .850	12.70 .500	17.78 .700	LONG CONTACT	14.12/.556	ALL	D C B A	1 - 6 1 - 6 1,2,3,5,6 1 - 6	6.45/.254	D C B A	- - 4 -	5.18/.204	D C B A	NIL	TRAY
87663-9003	3	24	5	86.36 3.400	78.74 3.100	77.47 3.050	62.88 2.475	27.94 1.100	12.70 .500	17.78 .700	LONG CONTACT	14.12/.556	ALL	D C B A	1,2,3,4,6 1,2,4,5,6 1,2,3,4,5 1,2,4,5,6	6.86/.270	D C B A	5 3 6 3	5.59/.220	D C B A	NIL	TRAY
87663-9004	3	24	2	67.31 2.650	59.69 2.350	58.42 2.300	43.82 1.725	8.890 0.350	12.70 .500	17.78 .700	LONG CONTACT	14.12/.556	ALL	D C B A	1,2,4,5,6 1 - 6 1,2,4,5,6 1 - 6	6.86/.270	D C B A	3 - 3 -	5.59/.220	D C B A	NIL	TRAY
87663-9005	4	16	4	82.55 3.250	74.93 2.950	73.66 2.900	59.06 2.325	21.59 0.850	7.62 .300	25.40 1.000	LONG CONTACT	14.12/.556	ALL	D C B A	ALL	6.86/.270	D C B A	NIL	NIL	D C B A	NIL	TRAY
87663-9006	3	24	5	86.36 3.400	78.74 3.100	77.47 3.050	62.88 2.475	27.94 1.100	12.70 .500	17.78 .700	LONG CONTACT	14.12/.556	ALL	D C B A	4,5,6 4,5,6 4,5,6 4,5,6	6.86/.270	D C B A	NIL	NIL	D C B A	1,2,3 1,2,3 1,2,3 1,2,3	TRAY
87663-9007	4	16	6	95.25 3.750	87.63 3.450	86.36 3.400	71.76 2.825	34.29 1.350	7.62 .300	25.40 1.000	LONG CONTACT	14.12/.556	ALL	D C B A	ALL	6.86/.270	D C B A	NIL	NIL	D C B A	NIL	TRAY

PDR#S-001538-00-00 EC NO: S2007-0817 DRAWING: MENARLY 2007/03/28 CHKD: SKANG 2007/03/28 APPR: MLONG 2007/03/28	QUALITY SYMBOLS  = 0  = 0.010	GENERAL TOLERANCES (UNLESS SPECIFIED)		DIMENSION STYLE MM/IN		SCALE NTS	DESIGN UNITS METRIC	THIRD ANGLE PROJECTION			
		4 PLACES ± --- ± ---	3 PLACES ± --- ± .010	2 PLACES ± 0.25 ± ---	1 PLACE ± --- ± ---	DRAWN BY BHLW	DATE 2002/11/27	TITLE AC/DC POWER CONN. HEADER P(AC)-S-P(DC) CONFIG. RIGHT ANGLE, BOARD-LOCK			
		ANGULAR ± 3 °				APPROVED BY SKT0H	DATE 2002/12/03	MOLEX INCORPORATED			
		DRAFT WHERE APPLICABLE MUST REMAIN WITHIN DIMENSIONS				MATERIAL NO. SEE TABLE	DOCUMENT NO. SD-87663-010	SHEET NO. 3 OF 3			