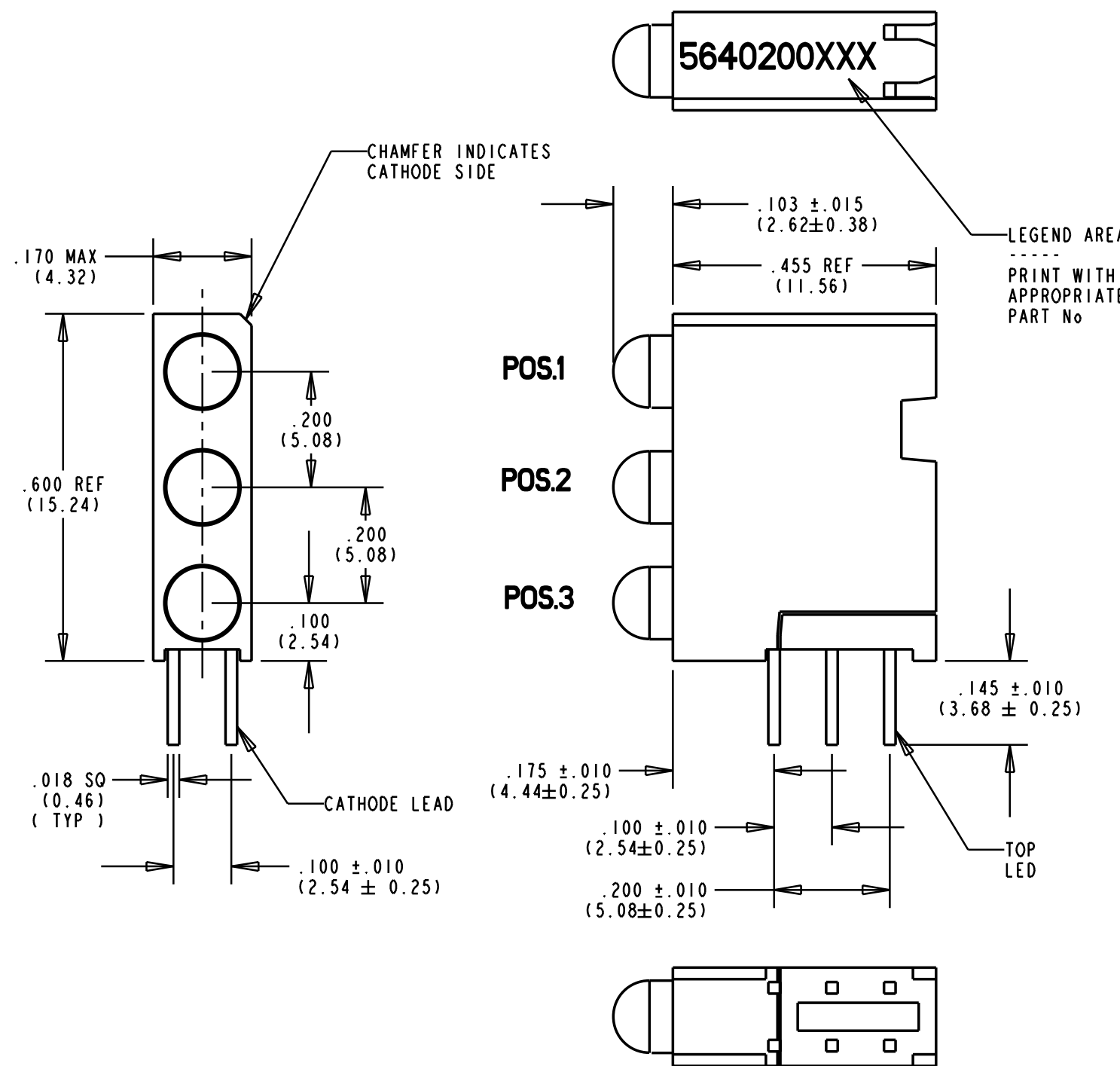


| PART NUMBER and LEGEND | LED COLOR | | |
|---------------------------|-----------------|-----------------|-----------------|
| | POSITION 1 | POSITION 2 | POSITION 3 |
| 564-0200-022 | ** BLANK ** | GREEN DIFFUSED | GREEN DIFFUSED |
| 564-0200-100 | RED DIFFUSED | ** BLANK ** | ** BLANK ** |
| 564-0200-101 | RED DIFFUSED | ** BLANK ** | RED DIFFUSED |
| 564-0200-111 | RED DIFFUSED | RED DIFFUSED | RED DIFFUSED |
| 564-0200-121 | RED DIFFUSED | GREEN DIFFUSED | RED DIFFUSED |
| 564-0200-122 | RED DIFFUSED | GREEN DIFFUSED | GREEN DIFFUSED |
| 564-0200-123 | RED DIFFUSED | GREEN DIFFUSED | YELLOW DIFFUSED |
| 564-0200-131 | RED DIFFUSED | YELLOW DIFFUSED | RED DIFFUSED |
| 564-0200-132 | RED DIFFUSED | YELLOW DIFFUSED | GREEN DIFFUSED |
| 564-0200-201 | GREEN DIFFUSED | ** BLANK ** | RED DIFFUSED |
| 564-0200-202 | GREEN DIFFUSED | ** BLANK ** | GREEN DIFFUSED |
| 564-0200-210 | GREEN DIFFUSED | RED DIFFUSED | ** BLANK ** |
| 564-0200-211 | GREEN DIFFUSED | RED DIFFUSED | RED DIFFUSED |
| 564-0200-212 | GREEN DIFFUSED | RED DIFFUSED | GREEN DIFFUSED |
| 564-0200-220 | GREEN DIFFUSED | GREEN DIFFUSED | ** BLANK ** |
| 564-0200-221 | GREEN DIFFUSED | GREEN DIFFUSED | RED DIFFUSED |
| 564-0200-222 | GREEN DIFFUSED | GREEN DIFFUSED | GREEN DIFFUSED |
| 564-0200-223 | GREEN DIFFUSED | GREEN DIFFUSED | YELLOW DIFFUSED |
| 564-0200-231 | GREEN DIFFUSED | YELLOW DIFFUSED | RED DIFFUSED |
| 564-0200-232 | GREEN DIFFUSED | YELLOW DIFFUSED | GREEN DIFFUSED |
| 564-0200-233 | GREEN DIFFUSED | YELLOW DIFFUSED | YELLOW DIFFUSED |
| 564-0200-301 | YELLOW DIFFUSED | ** BLANK ** | RED DIFFUSED |
| 564-0200-310 | YELLOW DIFFUSED | RED DIFFUSED | ** BLANK ** |
| 564-0200-311 | YELLOW DIFFUSED | RED DIFFUSED | RED DIFFUSED |
| 564-0200-321 | YELLOW DIFFUSED | GREEN DIFFUSED | RED DIFFUSED |
| 564-0200-322 | YELLOW DIFFUSED | GREEN DIFFUSED | GREEN DIFFUSED |
| 564-0200-323 | YELLOW DIFFUSED | GREEN DIFFUSED | YELLOW DIFFUSED |
| 564-0200-330 | YELLOW DIFFUSED | YELLOW DIFFUSED | ** BLANK ** |
| 564-0200-331 | YELLOW DIFFUSED | YELLOW DIFFUSED | RED DIFFUSED |
| 564-0200-332 | YELLOW DIFFUSED | YELLOW DIFFUSED | GREEN DIFFUSED |
| 564-0200-333 | YELLOW DIFFUSED | YELLOW DIFFUSED | YELLOW DIFFUSED |

| OPERATING CHARACTERISTICS AT 25°C AMBIENT | | | | | | |
|---|-----------|-----|-----|-----|--------|------------------------|
| CHARACTERISTICS | LED COLOR | MIN | TYP | MAX | UNITS | TEST CONDITIONS |
| LUMINOUS INTENSITY | RED | 1.0 | 1.8 | | mcd | I _f = 2 mA |
| | YELLOW | 1.0 | 1.6 | | | |
| | GREEN | 1.0 | 1.6 | | | |
| FORWARD VOLTAGE | RED | | 1.8 | 2.2 | V | I _f = 2 mA |
| | YELLOW | | 1.9 | 2.7 | | |
| | GREEN | | 1.8 | 2.2 | | |
| REVERSE VOLTAGE | ALL | 5 | | | V | I _r = 50 μA |
| PEAK WAVELENGTH | RED | | 635 | | nm | MEASURED AT PEAK |
| | YELLOW | | 583 | | | |
| | GREEN | | 565 | | | |
| VIEWING ANGLE | ALL | | 50 | | Degree | |

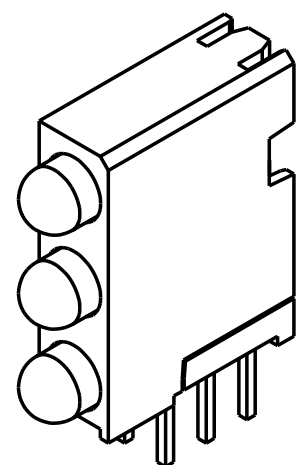
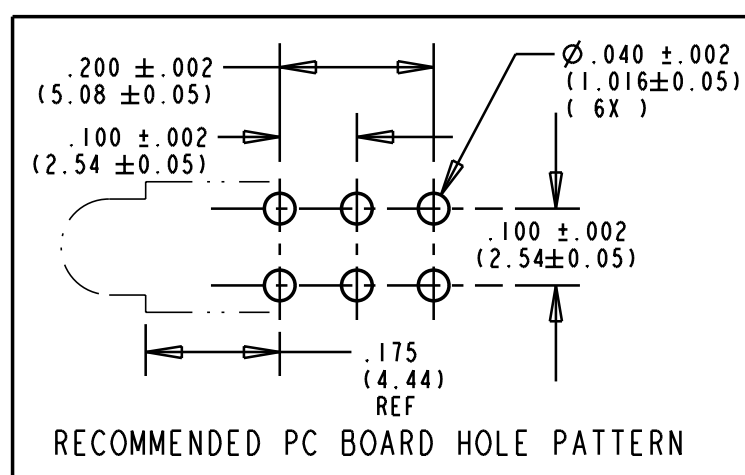
| REV. | ECN NO. | REVISIONS | DRN. | CKD. | APP. | DATE |
|------|---------|--|------|------|------|---------|
| C | — | CHANGE "CLAMSHELL" DESIGN TO THE NEW "BOTTOM INSERT" DESIGN. DELETE NOTE 2 & LED SCHEMATIC. ADDED NEW NOTE 2, 3, 4, 5 & PART NO. 564-0200-022, -101, -123, -201, -202, -220, -301, -323, -331, -333 TO FAMILY DWG. | DC | TC | N.O. | 1-27-99 |
| D | — | REORIENTED PRINTING; ADDED NEW NOTE 2; RENUMBERED NOTES. | TC | AV | N.O. | 7-28-99 |
| E | — | ADDED P/N 564-0200-100, -0200-310 AND -0200-330. | TC | | | |

| ABSOLUTE MAXIMUM RATING AT 25°C AMBIENT | | | | |
|--|-------|------------|------------|------------|
| | UNITS | RED | YELLOW | GREEN |
| POWER DISSIPATION | mW | 24 | 36 | 24 |
| DERATE LINEARLY FROM 92°C | mA/°C | 1.0 | 1.0 | 1.0 |
| CONTINUOUS FORWARD CURRENT | mA | 7.0 | 7.0 | 7.0 |
| PEAK FORWARD CURRENT (1/10 DUTY CYCLE, 0.1 ms PULSE WIDTH) | mA | 500 | 500 | 500 |
| LEAD SOLDERING TEMPERATURE, 5 SEC., 1/16" FROM BODY | °C | 260 | 260 | 260 |
| OPERATING TEMPERATURE | °C | -55 TO 100 | -55 TO 100 | -20 TO 100 |
| STORAGE TEMPERATURE | °C | -55 TO 100 | -55 TO 100 | -55 TO 100 |



NOTES:

- LEADS TO FIT INTO .040 DIA. HOLES SPACED AS PER HOLE PATTERN
- LEADS TO BE FREE OF DEFORMATION AFTER BENDING AND CUTTING
- WHEN A ZERO APPEARS IN THE LAST 3 DIGITS OF THE PART NUMBER THIS MEANS NO LAMP REQUIRED IN THAT POSITION
- LED LEAD DIMENSIONS SHOWN ARE MEASURED AT HOUSING EXIT
- mm DIMENSIONS IN ()
- DIALIGHT PART NO. 564-0200-XXX.



| | | |
|---|--|-------------------------|
| THIS DRAWING AND THE CONTENTS HEREIN ARE CONFIDENTIAL AND THE SOLE PROPERTY OF DIALIGHT. REPRODUCTION OF THIS DRAWING OR CONSTRUCTION OF ANY PARTS WITHIN THIS DRAWING ARE FORBIDDEN WITHOUT THE WRITTEN CONSENT OF DIALIGHT. | | |
| SCALE 4:1 | DRAWING NUMBER | REV |
| ALL DIM'S IN: INCHES | C-15406 | E |
| TOLERANCES: UNLESS OTHERWISE SPECIFIED | TITLE STANDARD 3X1 CBI BLOCK | |
| FRACTIONS: ±1/64 | MATERIAL | |
| DECIMALS (.XX): ±.020 | Dialight | |
| DECIMALS (.XXX): ±.015 | 1913 ATLANTIC AVE. MANASQUAN, N.J. 08736 | |
| ANGLES: ±3° | FSCM 83330 | SHEET OF FAMILY TABLES: |
| FINISH: | | |