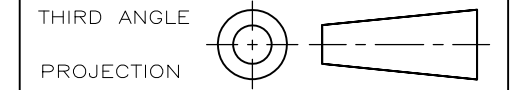


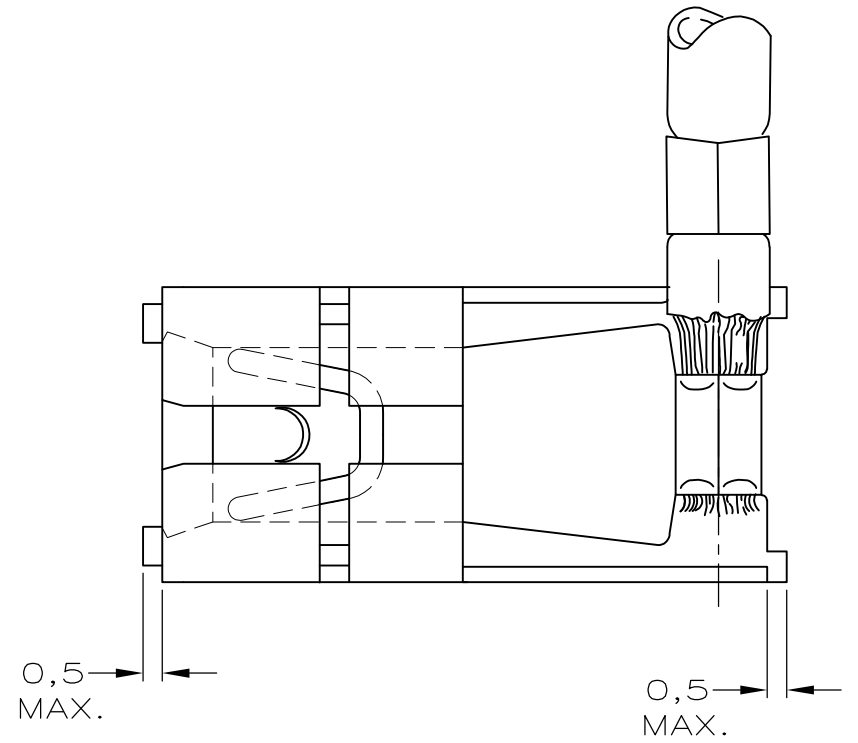
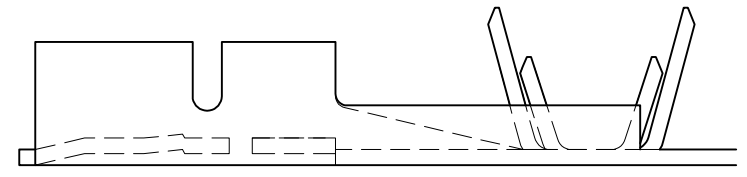
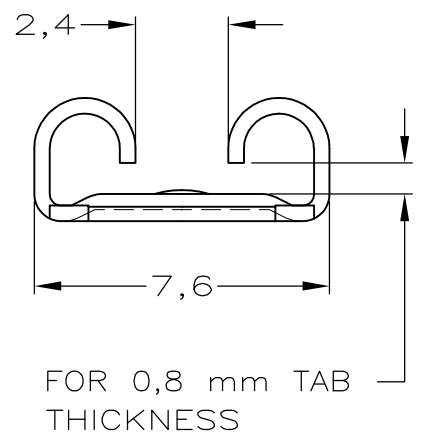
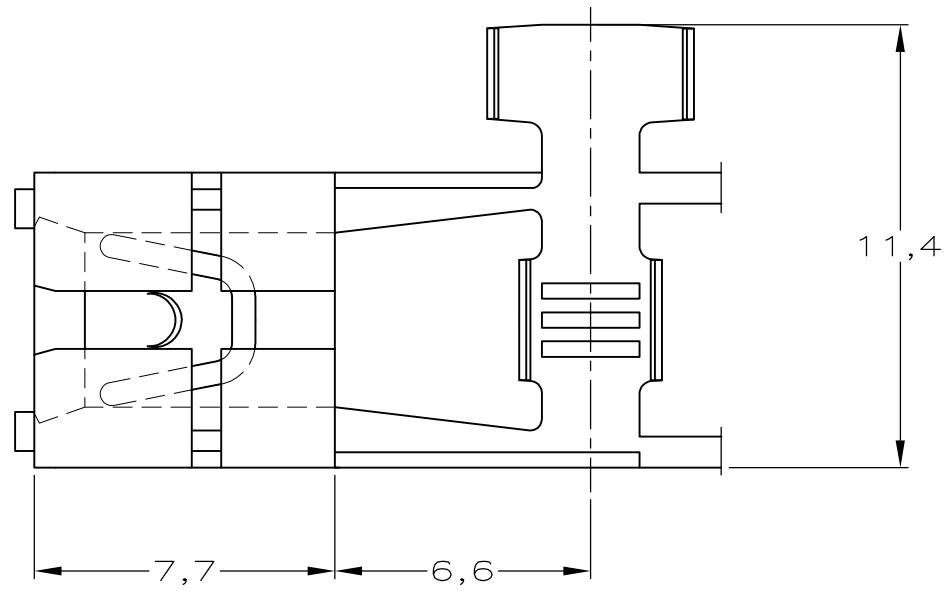
DO NOT SCALE
DIMENSIONS IN mm

METRIC



NOTES:

- 1 FOR USE ON MINIATURE APPLICATORS (LEFT-RIGHT FEED)
- 2 HANDTOOL 180319 TO BE USED.
- 3 APPLICATION SPEC. 114-19025.
- 4 PRODUCT SPEC. 108-19084.
- △5 REVERSE REELED FOR MINI APPLICATOR.
- △6 OBSOLETE PARTS: OBSOLETE CIS STREAMLINING PER D.RENAUD/D.SINISI



WIRE RANGE :
1,0 - 2,5 mm²
INSULATION RANGE :
2,5 - 3,8 mm DIA.

100689-4	TINPLATED	PH.BRONZE	△5 1-100645-4	△6
100689-3	UNPLATED	PH.BRONZE	△5 1-100645-3	
100689-2	TINPLATED	BRASS	△5 1-100645-2	△6
100689-1	UNPLATED	BRASS	△5 1-100645-1	△6
100689-4	TINPLATED	PH.BRONZE	100645-4	△6
100689-3	UNPLATED	PH.BRONZE	100645-3	
100689-2	TINPLATED	BRASS	100645-2	
100689-1	UNPLATED	BRASS	100645-1	△6
LOOSE PIECE △2		FINISH	MATERIAL	PARTNUMBER

CUSTOMER DRAWING					FOR REFERENCE ONLY WILL NOT BE UPDATED	
© COPYRIGHT 19 - BY AMP HOLLAND B.V. ALL INTERNATIONAL RIGHTS RESERVED.AMP PRODUCTS MAY BE COVERED BY U.S. AND FOREIGN AND/OR PATENTS PENDING. THIS DRAWING IS UNPUBLISHED RELEASED FOR PUBLICATION ,19						
B1	REVISED PER ECO-09-020932	KK	AEG	27AUG09	AMP HOLLAND B.V. 's-Hertogenbosch, The Netherlands.	
B	EH-0935-93	P.B.	P.B.	03.12.93	NAME	
A	EH-0242-93	P.B.	P.B.	14.04.93	LOW INSERTION FORCE FASTON RECEPTACLE FOR 0,8 mm TABTHICKNESS .250srs(6,3)	
0	H-9565	P.B.	A.B.	20.02.92	DWG.No. C-100645	
LTR.	REVISION RECORD	DR.	CHK.	DATE	REV.LTR.	SHEET
DR.:	P.BEIJNON	CHK.:	A.BIJNEN	APP.:	L.v.SOEST.	DWG.No.
DATE:	20.02.92	DATE:	-	DATE:	-	C-100645
					REV.LTR.	SHEET
					B1	1 OF 1
						A3