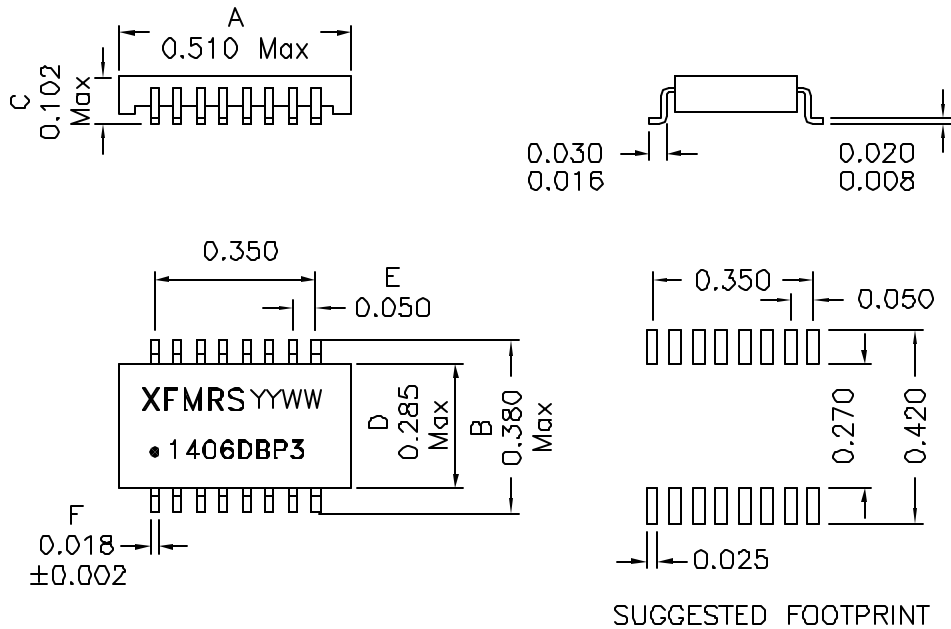
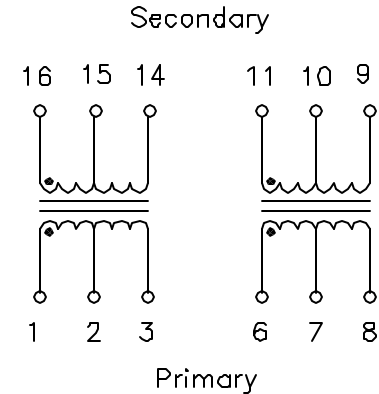


1. Mechanical Dimensions:



2. Schematic:



3. Electrical Specifications: @25°C

Primary OCL: 140uH Typ @100KHz,100mV

Primary Q: 8 Min @10KHz,50mV

Primary LL: 0.40uH Max

Cw/w: 15pF Max (Pri to Sec)

Primary DCR: 0.65 Ohms Max

Insulation Resistance: 10000 MOhms

Turns Ratio: Pins(1-3):(16-14) = 1CT:1CT±3%

Pins(6-8):(11-9) = 1CT:1.41CT±3%

Isolation Voltage: 1500Vrms (Pri to Sec)

Notes:

- Solderability: Leads shall meet MIL-STD-202, Method 20BD for solderability.
- Flammability: UL94V-0
- ASTM oxygen index: > 28%
- Insulation System: Class F 155°C, UL file E151556
- Operating Temperature Range: All listed parameters are to be within tolerance from -40°C to +85°C
- Storage Temperature Range: -55°C to +125°C
- Aqueous wash compatible
- SMD Lead Coplanarity: ±0.004"(0.102mm)
- Electrical and mechanical specifications 100% tested
- RoHS Compliant Component

DOC. REV. A/3

XFMRS Inc www.XFMRS.com		Title: 10BASE-T MAGNETICS	
UNLESS OTHERWISE SPECIFIED TOLERANCES: .xxx ±0.010 Inch Dimensions in Inch/mm SCALE 2:1 SHT 1 OF 1	P/N: XF1406DBP3		REV. A
	DWN.	Xian yi	Oct-30-09
	CHK.	YK Liao	Oct-30-09
	APP.	Joe Huff	Oct-30-09

PROPRIETARY Document is the property of XFMRS Group & is not allowed to be duplicated without authorization.