

THIS DRAWING IS UNPUBLISHED. RELEASED FOR PUBLICATION
 © COPYRIGHT - By - ALL RIGHTS RESERVED.

LOC	DIST	REVISIONS			
P	LTR	DESCRIPTION	DATE	DWN	APVD
G	14				
		P3 REVISED PER ECO-11-004820	11MAR11	RK	HMR

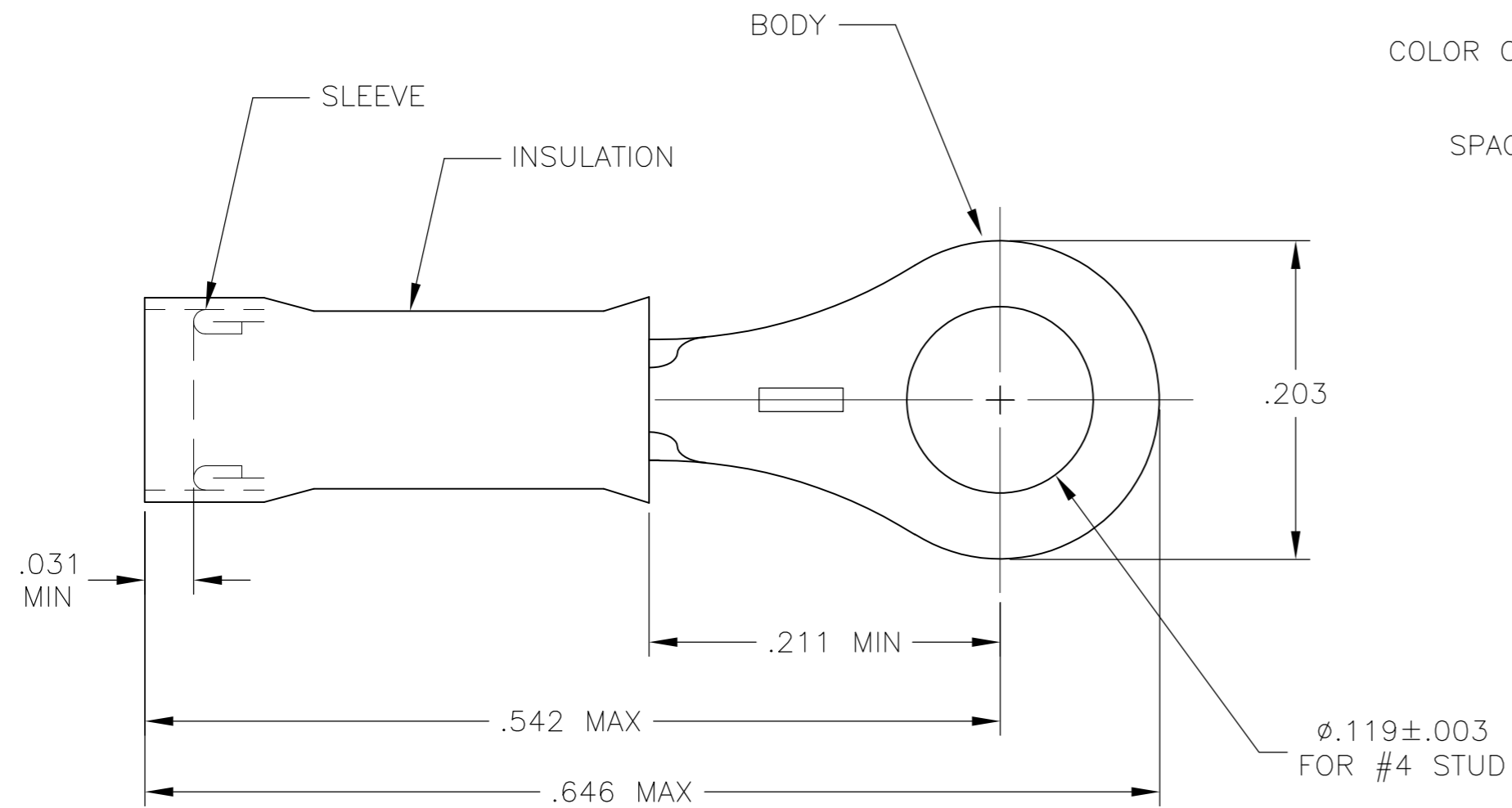


FIGURE 1
 FOR .050 TO .082 WIRE INSULATION DIA

COLOR CODE STRIPE
 SEE TABLE
 3 EQUALLY
 SPACED STRIPES

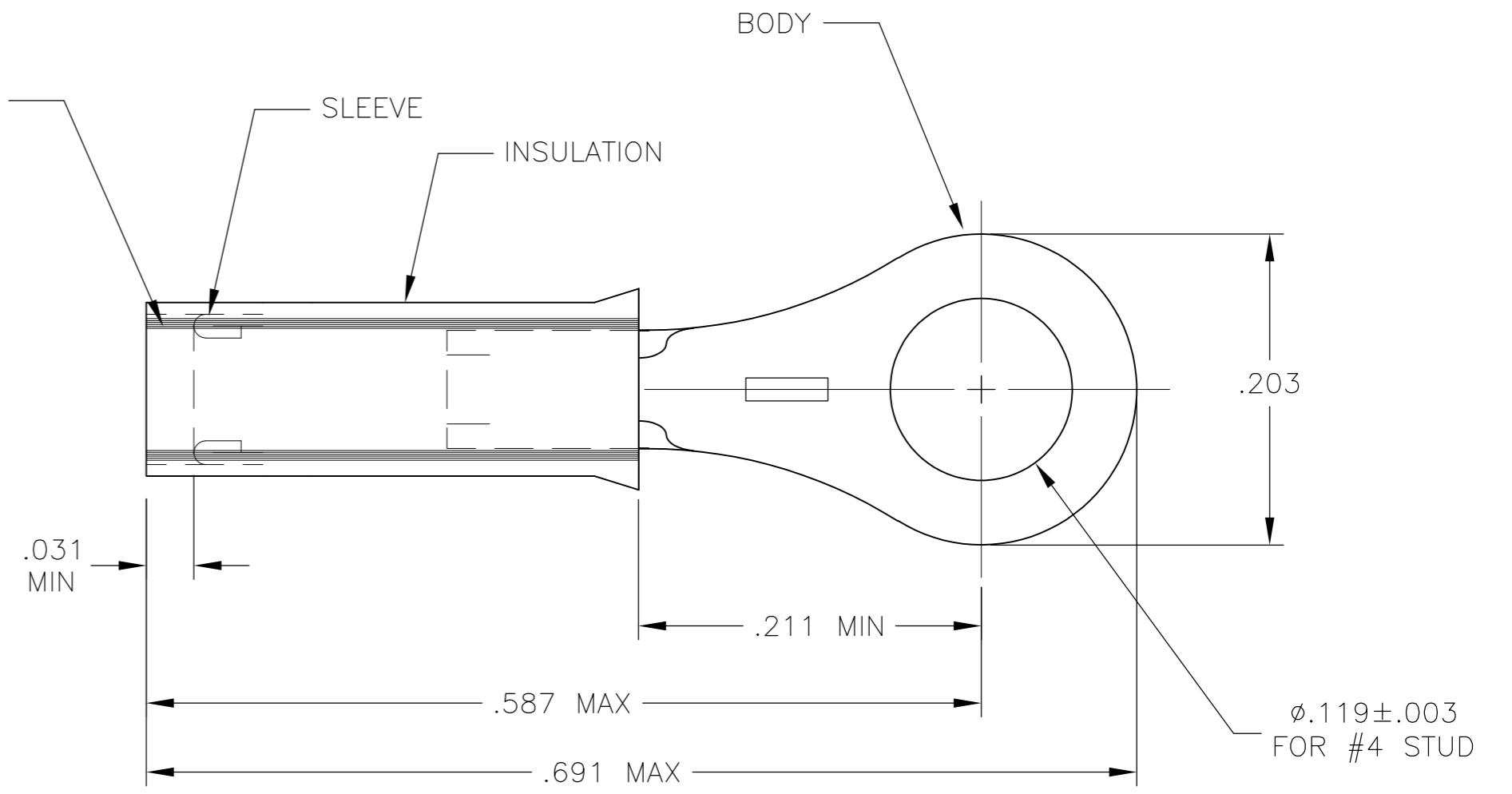


FIGURE 2
 INSULATION RESTRICTING
 FOR X/Y WIRE INSULATION DIA

- 1 TONGUE MATERIAL THK IS .018±.002
- 2 MEETS MS25036-144, CLASS 2

QTY	DESCRIPTION	MATERIAL & FINISH	PART NO
1	WIRE TERMINAL INSULATION RESTRICTING	BODY: COPPER (ASTM-B152) TIN PL (ASTM-B545) SLEEVE: COPPER (ASTM-B152) NICKEL PL. (QQ-N-290) INSULATION: NYLON COLOR: YELLOW (ASTM-D4066) TYPE 1	2-323914-2
100	LOOSE PC, BOX		8-323914-1
4000	323914 ON TAPE	BODY & SLEEVE: COPPER (ASTM-B152) TIN PL (ASTM-B545) INSULATION: NYLON COLOR: YELLOW (ASTM-D4066) TYPE 1	2-323914-1
1	WIRE TERMINAL		323914

PART NO.	STYLE	WIRE SIZE	STRIPE COLOR	"X/Y"	PART NO. ON TAPE
8-323914-1	FIGURE 1	#26-#22	NONE	-	
2-323914-2	FIGURE 2	#24	BLACK	.031/.055	
323914	FIGURE 1	#26-#22	NONE	-	2-323914-1

THIS DRAWING IS A CONTROLLED DOCUMENT.

DWN: JR RUTH 02OCT09
 CHK: TOM MICHIELUTTI 02OCT09
 APVD: MIKE PERCHERKE 02OCT09

STE TE Connectivity

NAME: TERMINAL, NYLON - PIDG - RING TONGUE
 WIRE SIZE: 26-22

SIZE: A2 CAGE CODE: 00779 DRAWING NO: 323914 RESTRICTED TO: -

MATERIAL: SEE TABLE FINISH: SEE TABLE WEIGHT: - SCALE: 10:1 SHEET: 1 of 1 REV: P3