

## FEATURES AND SPECIFICATIONS

### Features and Benefits

- Polarization provided by structural ribs
- Optional bifurcated terminals
- Optional probe hole
- Housing accommodates terminals for 18 to 26 AWG

### Reference Information

Packaging: Bag  
 UL File No.: E29179  
 Use With: 2478, 2578 or bifurcated 2878 terminals  
 Designed In: Inches

### Electrical

Voltage: 250V  
 Current: 5.0A  
 Contact Resistance: 20mΩ max.  
 Dielectric Withstanding Voltage: 1500V  
 Insulation Resistance: 50 MΩ min.

### Physical

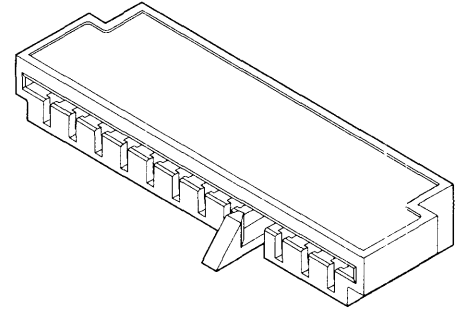
Housing: Nylon, UL 94V-2  
 Operating Temperature: 0 to +75°C  
 Recommended PCB Thickness: 1.57mm (.062")

**molex**® 3.96mm (.156") Pitch  
**KK**®

## Single-Sided Edge Connector Housing

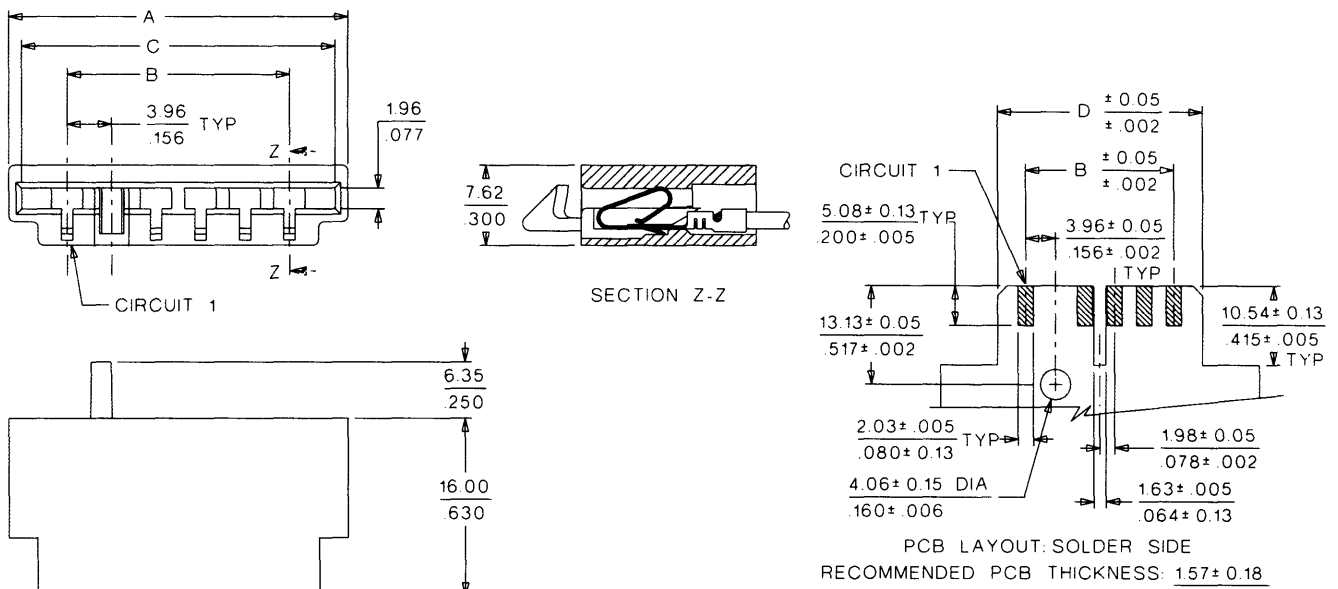
6422

## Polarized Edge Connector Housing with Positive Lock



Sockets and Edge Connectors

### CATALOG DRAWING (FOR REFERENCE ONLY)



### ORDERING INFORMATION

| Circuits* | Order No.       |                    | Dimension     |               |               |               | Rib Located Between Circuits | Hook Located Between Circuits |
|-----------|-----------------|--------------------|---------------|---------------|---------------|---------------|------------------------------|-------------------------------|
|           | With Probe Hole | Without Probe Hole | A             | B             | C             | D             |                              |                               |
| 3         |                 | 09-01-1038         | 20.35 (.801)  | 7.92 (.312)   | 16.05 (.632)  | 15.70 (.618)  | None                         | 1 and 3                       |
| 5         | 09-01-1056      | 09-01-1058         | 26.26 (1.034) | 15.85 (.624)  | 23.98 (.944)  | 23.42 (.922)  | None                         | 1 and 3                       |
| 6         |                 | 09-01-1068         | 30.23 (1.190) | 19.81 (.780)  | 27.92 (1.100) | 27.38 (1.078) | None                         | 1 and 3                       |
| 9         | 09-01-1096      | 09-01-1098         | 42.11 (1.658) | 31.70 (1.248) | 39.83 (1.568) | 39.22 (1.544) | 3 and 4 / 5 and 6            | 3 and 5                       |
| 10        |                 | 09-01-1108         | 46.08 (1.814) | 35.66 (1.404) | 43.79 (1.724) | 43.18 (1.700) | 4 and 5 / 7 and 8            | 8 and 10                      |
| 12        |                 | 09-01-1128         | 54.00 (2.126) | 43.59 (1.716) | 51.71 (2.036) | 51.05 (2.010) | 6 and 7                      | 8 and 10                      |
| 15        | 09-01-1156      |                    | 65.89 (2.594) | 55.47 (2.184) | 63.60 (2.504) | 62.84 (2.474) | None                         | 8 and 10                      |

\* 1 circuit lost to provide locking hook; i.e., 3 circuit accepts 2 terminals only