



TS8115 LF

10/100 BASE-T ETHERNET ISOLATION TRANSFORMER

P/N:TS8115 LF DATA SHEET

Feature



- Designed to meet IEEE 802.3u requirement, including 350uH OCL with 8mA bias.
- Designed for reflow soldering at temperature up to 235 .
- Comply with RoHS requirements-whole part No Cd, No Hg, No Cr6+, No PBB and PBDE and No Pb on external pins.
- Comply with Air reflow profile of JEDEC 020C.
- Operating temperature range:0 to +70 .
- Storage temperature range:-25 to +125 .

Electrical Specifications @ 25°C

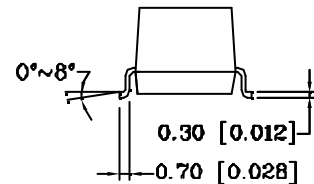
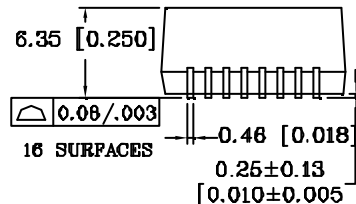
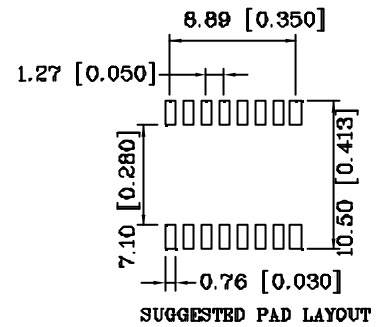
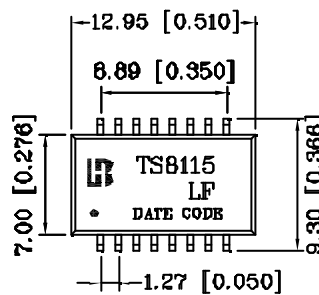
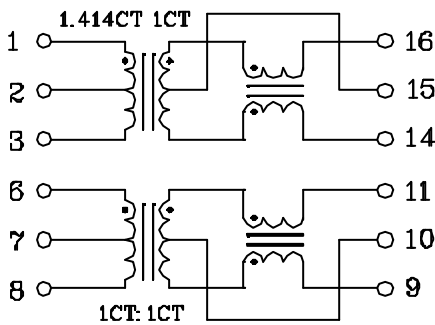
Part Number	Turns Ratio (±5%)		PRI OCL (uH Min) @ 100KHz/0.1V with 8mA DC Bias	PRI L.L (uH Max)	Cw/w (pF Max)	PRI DCR (Max)	Pri Pins	HI-POT (Vrms)
	1-3:16-14	6-8:11-9						
TS8115 LF	1.414CT:1CT	1CT:1CT	350	0.9	28	0.9	(1-3)&(6-8)	1500

Continue

Part Number	Insertion Loss (dB Max)	Return Loss (dB Min)				Cross talk (dB Min)		DCMR (dB Min)		
		0.3-100 MHz	0.5-30MHz	40MHz	50MHz	60-80MHz	0.3-60MHz	60-100MHz	30MHz	60MHz
TS8115 LF	-1.1	-18	-15.5	-13.6	-12	-45	-35	-40	-35	-30

Schematic

Mechanical



Units: mm[Inches] Tolerances: xx.x0±0.25[0.010]
0.xx±0.05[0.002]