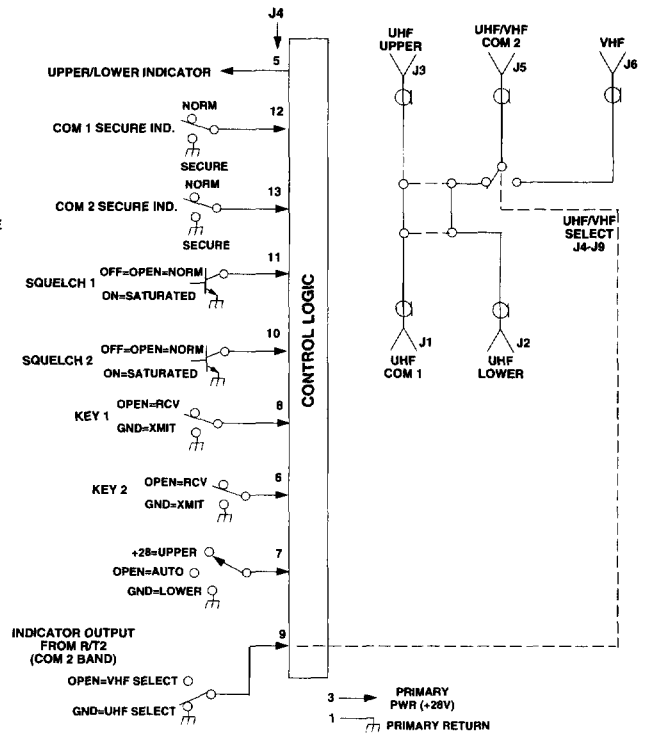
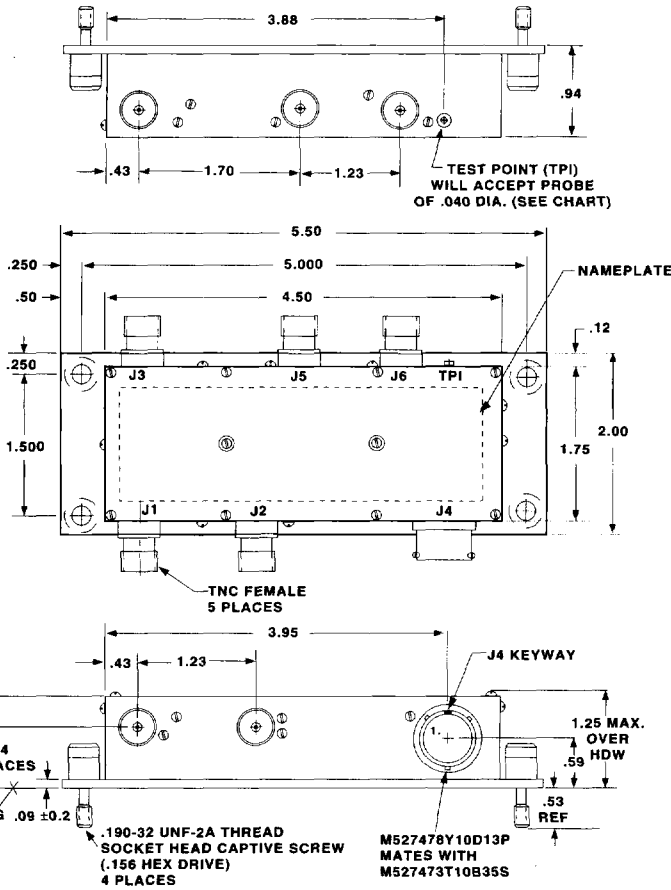
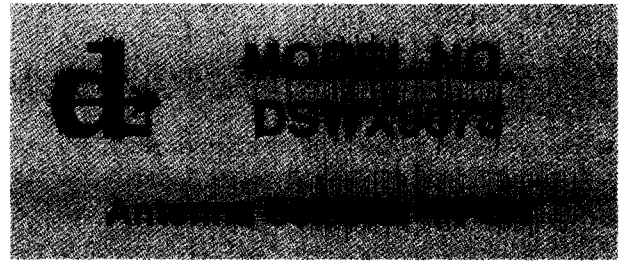


## FEATURES

- DC - 400 MHz
- 40 dB Isolation
- Auto Mode Cycle Between Upper for Two Radio
- Failsafe Mode
- Bit Port for Functionality Testing in Aircraft



J4 CONNECTOR	
PIN	FUNCTION
1	PRIMARY POWER RETURN
2	SPARE
3	PRIMARY POWER (+28V)
4	SPARE
5	UPPER/LOWER INDICATOR
6	COM 2 TRANSMIT KEY
7	MODE SELECT
8	COM 1 TRANSMIT KEY
9	COM2 BAND INDICATOR (UHF/VHF SELECT)
10	COM 2 SQUELCH INPUT
11	COM 1 SQUELCH INPUT
12	COM 1 SECURE INDICATOR
13	COM 2 SECURE INDICATOR

TEST POINT (TPI) CHART			
POWER ON			
MODE	COM 1 TO	COM 2 TO	TEST POINT VOLTAGE
A	LOWER	VHF	1V
B	LOWER	UPPPER	3V
C	UPPPER	VHF	5V
D	UPPPER	LOWER	7V
POWER OFF			0V

## GUARANTEED PERFORMANCE

PARAMETER	MIN	TYP	MAX	UNITS	CONDITIONS
OPERATING FREQUENCY	DC		500	MHz	
DC CURRENT		210	350	mA	AT +28 VDC SUPPLY
ISOLATION	40	72		dB	
INSERTION LOSS			0.5	dB	30-400 MHz
			0.6	dB	400-500 MHz
			0.25	dB	15-16 @ 30 MHz
VSWR		1.25/1			30-400 MHz
		1.35/1			400-500 MHz
IMPEDANCE		50		OHMS	
SWITCHING SPEED		2.6	5	mSEC	
RF POWER:	OPERATE		100	W	AVERAGE
	NO DAMAGE		500	W	PECK
OPERATING TEMPERATURE	-54	+25	+71	°C	INTERMITTENT @ +95°C