

KLB-0315 R

KLB-0315 R has a high bright InGaAlP red LED and has the optimized optical characteristics.

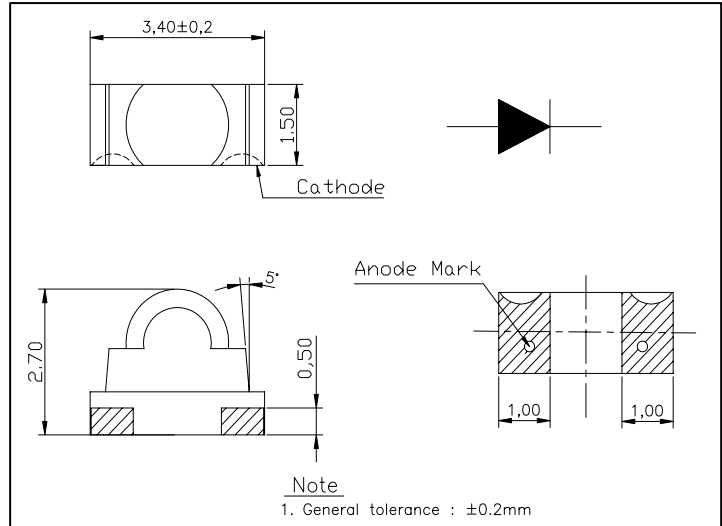
Features

- Transparent epoxy Encapsulent
- High Optical Output

Applications

- Amusement
- Indicator
- Display

DIMENSIONS



Maximum Ratings

[Ta=25°C]

Parameter	Symbol	Ratings	Unit
Forward current	I_F	20	mA
Pulse forward current ^{*1}	I_{FP}	30	mA
Power dissipation	P_D	70	mW
Operating temperature	$T_{opr.}$	-30 ~ +85	°C
Storage temperature	$T_{stg.}$	-40 ~ +100	°C
Soldering Temperature ^{*2}	$T_{sol.}$	260	°C

*1. I_{FP} Measured under duty $\frac{1}{10}$ @ 1KHz

*2. Soldering time \leq 5 Sec

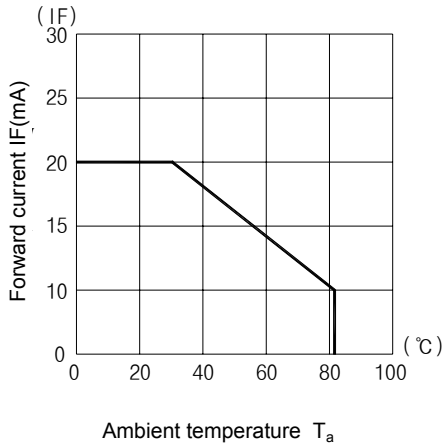
Electro-Optical Characteristics

[Ta=25°C]

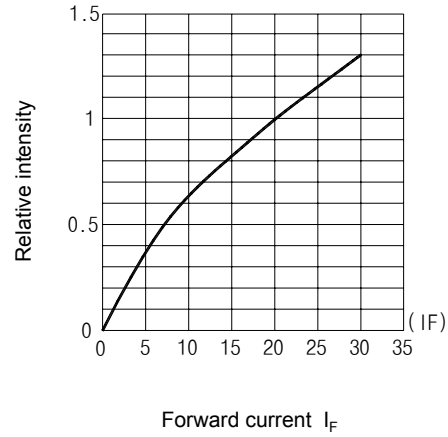
Parameter	Symbol	Conditions	Min	Typ	Max	Unit
Forward voltage	V_F	$I_F = 20$ mA	-	1.8	2.2	V
Optical Output Power	I_v	$I_F = 20$ mA	1000	1500	-	mcd
Doninant Wave Length	λ_d	$I_F = 20$ mA	620	-	635	nm
Spectral half bandwidth	$\Delta\lambda$	$I_F = 20$ mA	-	20	-	nm
Half angle	$\Delta\theta$	$I_F = 20$ mA	-	40	-	deg.

KLB-0315 R

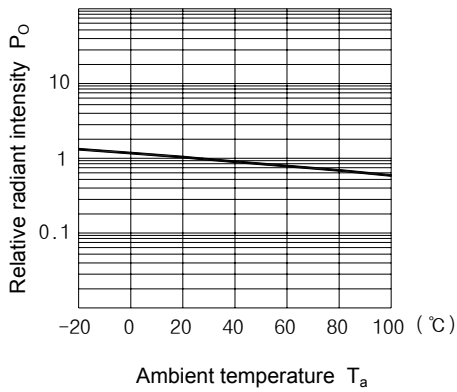
Forward current vs. Ambient temperature



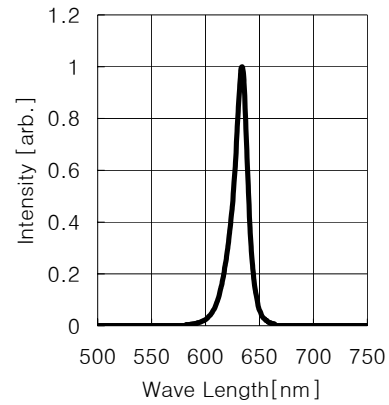
Radiant Intensity vs. Forward current



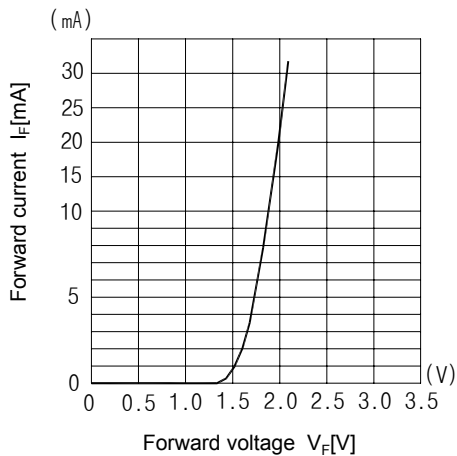
Relative radiant intensity vs. Ambient temperature



Relative intensity vs. Wavelength



Forward current vs. Forward voltage



Radiant Pattern

