

## CMXD3003TO

### 180V, 200mA Triple Opposing, Low Leakage Switching Diodes in SOT-26 package



SOT-26

Central Semiconductor's CMXD3003TO consists of three (3) isolated, low leakage silicon switching diodes arranged in an alternating configuration and packaged in the SOT-26. This device is suitable for a host of switching, signal blocking and steering diode applications. These isolated diodes can be arranged in multiple configurations by utilizing varied mounting pad geometries.

#### Features:

- Very low leakage current (1.0nA)
- Low capacitance (4.0pF)
- Excellent high temperature performance

#### Applications:

- Voltage multiplier
- Steering diode array
- General purpose switching

#### Benefits:

- Energy efficiency
- Multiple configurations possible
- Industry standard SOT-26 package

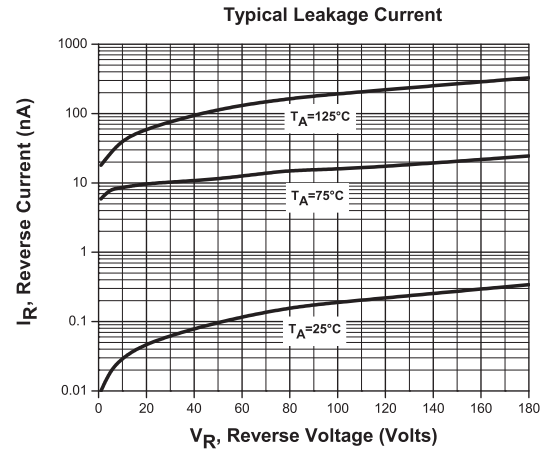
#### Literature:



New  
SMD  
SELECTION  
GUIDE

Order your selection guide today.  
Visit: [web.centralsemi.com/search/sample.php](http://web.centralsemi.com/search/sample.php)

#### Typical Electrical Characteristics



#### Samples:



To order samples of this device visit:  
[www.centralsemi.com/info/CMXD3003TO](http://www.centralsemi.com/info/CMXD3003TO)

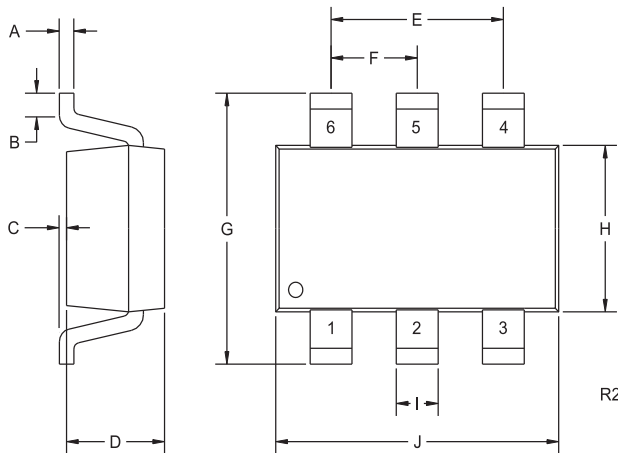
Electrical Characteristics Per Diode: ( $T_A = 25^\circ\text{C}$ unless otherwise noted)							Thermal Characteristics			
$V_R$	$I_O$	$V_F$		@ $I_F$	$I_R$	@ $V_R$	$C_T$	$P_D$	$T_J, T_{stg}$	$\Theta_{JA}$
(V) MAX	(mA) MAX	(V) MIN	(V) MAX	(mA)	MAX	(V)	(pF) MAX	(mW) MAX	( $^\circ\text{C}$ ) MAX	( $^\circ\text{C}/\text{W}$ ) MAX
180	200	0.62	0.72	1.0	1.0nA	125	4.0	350	-65 to +150	357
		0.72	0.83	10	3.0 $\mu\text{A}$	125*				
		0.80	0.89	50	10nA	180				
		0.83	0.93	100	5.0 $\mu\text{A}$	180*				
		0.87	1.10	200						
		0.90	1.15	300						

\*  $T_A = 150^\circ\text{C}$

# CMXD3003TO

## 180V, 200mA Triple Opposing, Low Leakage Switching Diodes in SOT-26 package

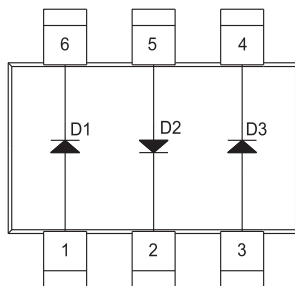
### Mechanical Drawing - SOT-26



SYMBOL	INCHES		MILLIMETERS	
	MIN	MAX	MIN	MAX
A	0.004	0.007	0.11	0.19
B	0.016	-	0.40	-
C	-	0.004	-	0.10
D	0.039	0.047	1.00	1.20
E	0.074	0.075	1.88	1.92
F	0.037	0.038	0.93	0.97
G	0.102	0.118	2.60	3.00
H	0.059	0.067	1.50	1.70
I	0.016		0.41	
J	0.110	0.118	2.80	3.00

SOT-26 (REV: R2)

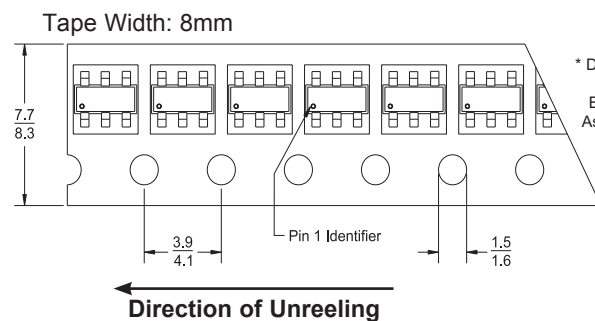
### Lead Code



- 1) Anode D1
- 2) Cathode D2
- 3) Anode D3
- 4) Cathode D3
- 5) Anode D2
- 6) Cathode D1

**MARKING CODE:**  
C03TO

### Tape Dimensions and Orientation (Dimensions in mm)



\* Devices are taped in accordance with Electronic Industries Association Standard EIA-481-1-A

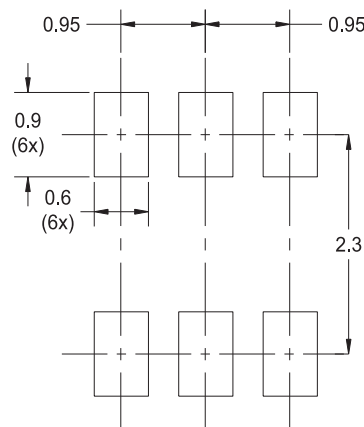
### Packaging Base / Ordering Information

Reel Size	Quantity	Central Item No.
7"	3,000	CMXD3003TO TR

### Reel Packing Information

Reel Size	Reels per Box (Maximum)	Parts per Box (Maximum)	Box Dimensions		Shipping Weight (Max.)	
			INCH	CM	LB	KG
7"	9	27,000	9x9x5	23x23x13	4	2
	18	54,000	9x9x9	23x23x23	7	4
	40	120,000	21x9x9	53x23x23	14	7
	108	324,000	27x9x17	69x23x43	39	18

### Mounting Pad (Dimensions in mm)



Sample devices available upon request. To order samples of this device visit: [www.centrasemi.com/info/CMXD3003TO](http://www.centrasemi.com/info/CMXD3003TO)



**Innovative Discrete Semiconductors**

For further information contact:  
Sales at Central Semiconductor Corp.  
(631) 435-1110 or visit our website at:  
[www.centrasemi.com](http://www.centrasemi.com)